

SS-201 INSULATED GLASS 45 DP

**ANCHOR TABLE**

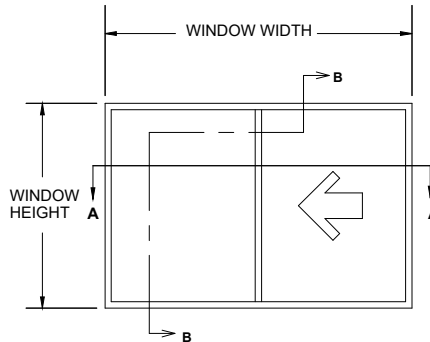
Window Width.	Window Height	Number of Anchors		Design	Design
		Across Head & Sill	Across Jambs	Pressure Neg.	Pressure Pos.
24.000	24.000	2	2	-45.00	+45.00
36.000	24.000	3	2	-45.00	+45.00
48.000	24.000	4	2	-45.00	+45.00
60.000	24.000	5	2	-45.00	+45.00
74.000	24.000	6	2	-45.00	+45.00
24.000	36.000	2	3	-45.00	+45.00
36.000	36.000	3	3	-45.00	+45.00
48.000	36.000	4	3	-45.00	+45.00
60.000	36.000	5	3	-45.00	+45.00
74.000	36.000	6	3	-45.00	+45.00
24.000	48.000	2	4	-45.00	+45.00
36.000	48.000	3	4	-45.00	+45.00
48.000	48.000	4	4	-45.00	+45.00
60.000	48.000	5	4	-45.00	+45.00
74.000	48.000	6	4	-45.00	+45.00
24.000	63.000	2	4	-45.00	+45.00
36.000	63.000	3	4	-45.00	+45.00
48.000	63.000	4	4	-45.00	+45.00
60.000	63.000	5	4	-45.00	+45.00
74.000	63.000	6	4	-45.00	+45.00

NOTES:

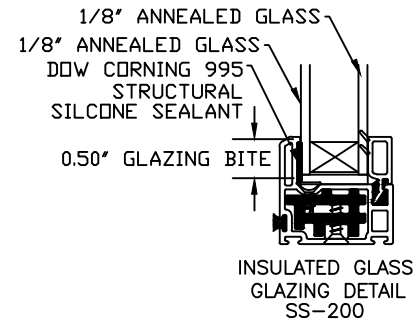
- (1) THIS PRODUCT IS DESIGNED TO COMPLY WITH THE FLORIDA BUILDING CODE, 8TH EDITION (2023).
- (2) SHIM AS REQ'D AT EACH SET OF INSTALLATION ANCHORS USING LOAD BEARING SHIMS. MAX. ALLOWABLE SHIM STACK TO BE 1/4". USE SHIMS WHERE SPACE GREATER THAN 1/16" IS PRESENT.
- (3) WINDOW MATERIAL : PVC.
- (4) 3/16" DIA. CONCRETE SREW ANCHORS MUST BE OF SUFFICIENT LENGTH TO ACHIEVE A MIN. EMBEDMENT OF 1 1/4" INTO CONCRETE OR MASONRY FOR 1 X WOOD BUCK OR A MIN. EMBEDMENT OF 1 1/4" INTO SOLID WOOD FOR 2 X BUCK OR WOOD FRAMED OPENINGS (GREATER THAN 1 3/8" THICK).
- (5) ALL FACTORY APPLIED HOLES IN FRAME MEMBERS NOT DESIGNATED FOR CONCRETE SCREW ANCHORS SHOULD BE FILLED WITH #10 SCREWS OF SUFFICIENT LENGTH TO ACHIEVE A MIN. EMBEDMENT OF 1-1/2" INTO WOOD BUCK.
- (6) USE LATEX CAULK OR EQUIVALENT FOR PERIMETER SEAL AROUND EXTERIOR OF WINDOW.
- (7) WHEN INSTALLING INTO STEEL OR ALUMINUM, #12 SMS MUST HAVE SUFFICIENT LENGTH SO THAT THERE IS FULL THREAD ENGAGEMENT THROUGH THE METAL.
- (8) IF EXACT WINDOW SIZE IS NOT LISTED IN ANCHOR CHART, USE THE NEXT SIZE LARGER WINDOW FOR ANCHOR QUANTY.
- (9) GLASS COMPLIES WITH ASTM E-1300 GLASS CHART REQUIREMENTS.  
INSULATED GLASS: 1/8" ANNEALED 1/2 AS (ALUMINUM) X 1/8 ANNEALED 3/4 OAT
- (10) ALL INSTALLATION ANCHORS MUST BE MADE OF A CORROSION RESISTANT MATERIAL OR COATING.
- (11) NOT ALL CONFIGURATIONS LISTED ON ANCHOR CHART ARE SHOWN ON THIS DRAWING. HOWEVER, INSTALLATION SECTION A-A & B-B APPLY TO ALL CONFIGURATIONS.

**ANCHOR DETAILS**

APPLICATION	ANCHOR	EDGE DIST.	MIN. EMBEDMENT	MAX. SHIM SPACE
MASONRY W/1 BY WOOD BUCK	3/16" CONC.	2.5"	1.25"	0.25"
MASONRY W/2 BY WOOD BUCK	#10 WOOD	1.5"	1.50"	0.25"
MASONRY	3/16" CONC.	2.5"	1.25"	0.25"
METAL	#12 SMS	0.75"	.045" (THICK)	0.25"



EXTERIOR ELEVATION



INSULATED GLASS GLAZING DETAIL SS-200

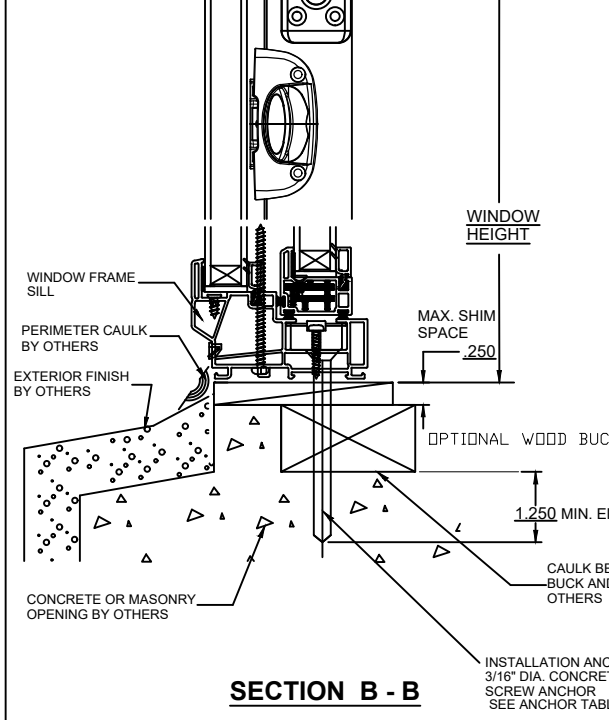
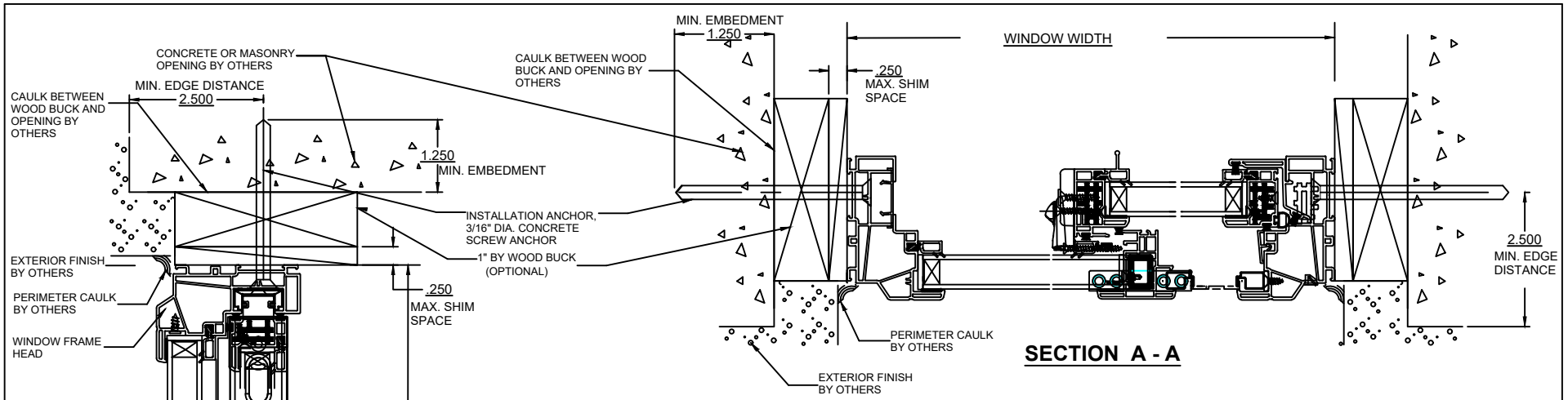
NOTES ON ANCHOR CALCULATIONS:

- (1) CALCULATIONS DERIVED FROM TESTED UNIT  
SS-201 TEST REPORT # AI-02982-I NAMI # NI012871
- (2) THE QUANTITY OF ANCHORS ARE FOR EACH SIDE, NOT TOTAL QUANTITY.
- (3) MAX. SPACING AT HEAD CORNER IS 6".
- (4) MAX. SPACING AT JAMB CORNER IS 6".
- (5) MAX. SPACING ACROSS HEAD AND SILL IS 12-3/8".
- (6) MAX. SPACING ACROSS JAMBS IS 17".

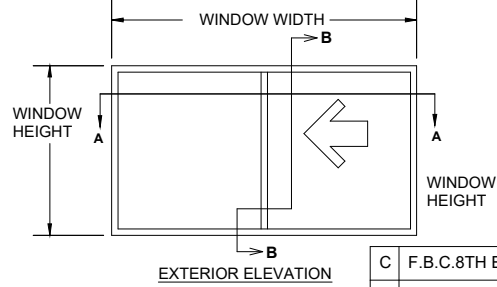
**WINDOW CRAFTSMEN, INC.**  
6031 CLARK CENTER AVE.  
SARASOTA, FLORIDA 34238

TITLE: SS-201 INSULATED GLASS VINYL SINGLE SLIDER WINDOW INSTALLATION INSTRUCTIONS FOR NOTES AND ANCHOR SPECIFICATIONS		
ENGINEER: MARK A. SMITH	DRAWN BY: MAS	DATE: 12/13/15
DISCIPLINE: CIVIL	SCALE: N.T.S.	DWG. NO. WCI-VSS004
FL. REG. NO.: 55511	REV. LETTER: C	SHEET 1

C	F.B.C. 8TH ED.	9/29/23
B	F.B.C. 7TH ED.	9/28/20
A	F.B.C. 6TH ED.	9/19/17



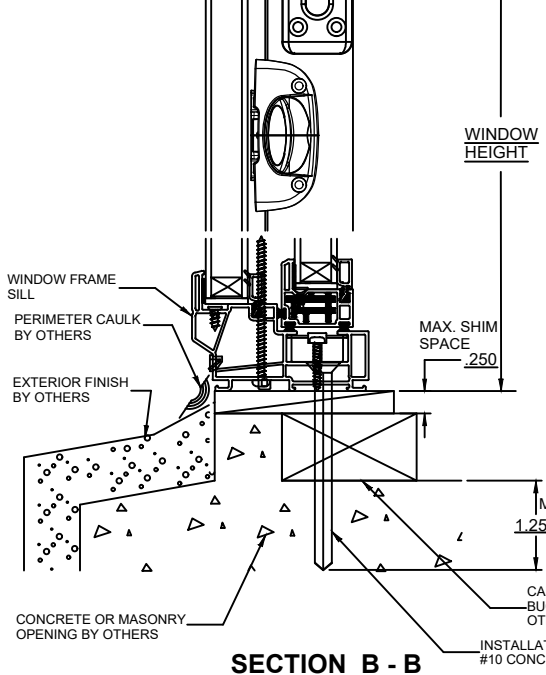
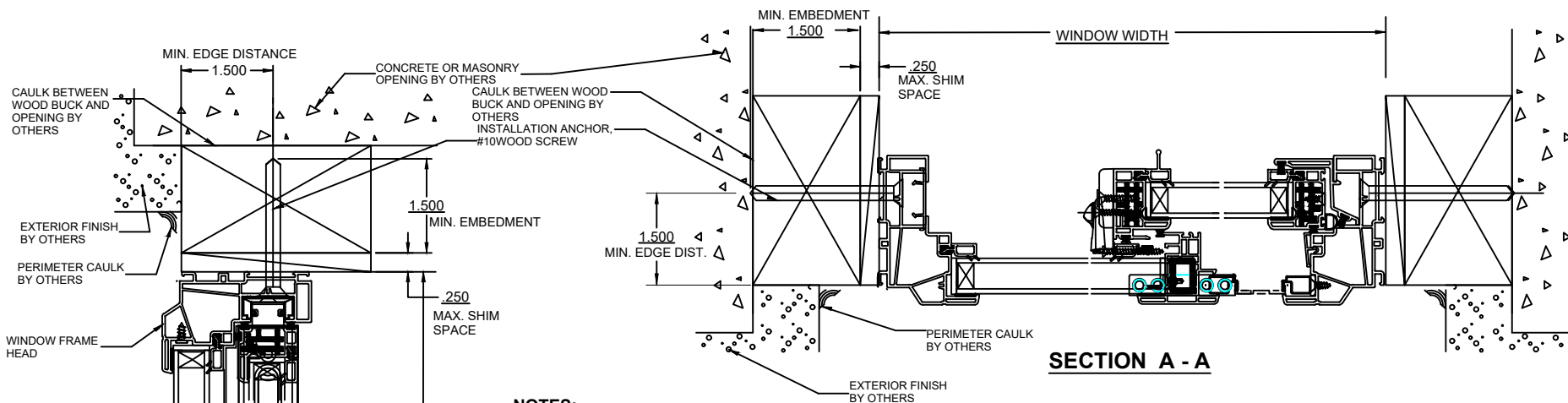
- NOTES:**
- (1) THIS PRODUCT IS DESIGNED TO COMPLY WITH THE FLORIDA BUILDING CODE 8TH EDITION (2023).
  - (2) WINDOW MATERIAL - PVC.
  - (3) SHIM AS REQ'D AT EACH SET OF INSTALLATION ANCHORS USING LOAD BEARING SHIMS. MAX. ALLOWABLE SHIM STACK TO BE 1/4". USE SHIMS WHERE SPACE GREATER THAN 1/16" IS PRESENT.
  - (4) 3/16" DIA. CONCRETE SCREW ANCHORS MUST BE OF SUFFICIENT LENGTH TO ACHIEVE A MIN. EMBEDMENT OF 1 1/4" INTO CONCRETE OR MASONRY FOR 1 X WOOD BUCK.
  - (5) FOR MAX. ALLOWABLE SPACING OF 3/16" DIA. CONCRETE SCREWS SEE SHEET 1.
  - (6) CAULK BEHIND FLANGE WITH LATEX CAULK. APPLICATION OF LATEX CAULK MUST COMPLY WITH SEALANT MANUFACTURERS RECOMMENDATIONS.
  - (7) AN APPROVED MEMBRANE OR MATERIAL SHALL BE PLACED BETWEEN ALL DISSIMILAR METALS TO CONTROL GALVANIC CORROSION.
  - (8) IF EXACT WINDOW SIZE IS NOT LISTED IN ANCHOR CHART, USE THE NEXT SIZE LARGER WINDOW FOR ANCHOR QUANTITY.
  - (9) ALL INSTALLATION ANCHORS MUST BE MADE OF A CORROSION RESISTANT MATERIAL OR COATING.
  - (10) SEE SHEET 1 (GENERAL NOTES) FOR DESIGN PRESSURES (PER COMPARATIVE ANALYSIS) AND ANCHOR QUANTITIES.
  - (11) 1X WOOD BUCK MAY BE USED TO FILL OPENING WHEN OPENING IS LARGER THAN WINDOW. 1X WOOD BUCK MUST BE FASTENED SECURELY TO MASONRY AS PER F.B.C. BY OTHERS.



**WINDOW CRAFTSMEN, INC.**  
 6031 CLARK CENTER AVE.  
 SARASOTA, FLORIDA 34238

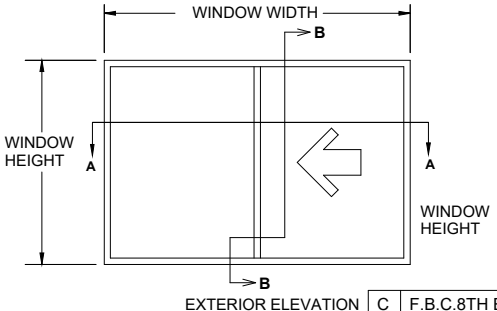
TITLE:  
 SS-201 INSULATED GLASS VINYL SINGLE SLIDER  
 WINDOW INSTALLATION INSTRUCTIONS FOR  
 MASONRY WITH 1 BY WOOD BUCK

C	F.B.C.8TH ED.	9/28/23	ENGINEER: MARK A. SMITH	DRAWN BY: MAS	DATE: 12/27/15
B	F.B.C.7TH ED.	9/28/20	DISCIPLINE: CIVIL	SCALE: N.T.S.	DWG. NO. WCI-VSS004
A	F.B.C.6TH ED.	9/19/17	FL. REG. NO.: 55511	REV. LETTER: B	SHEET 2



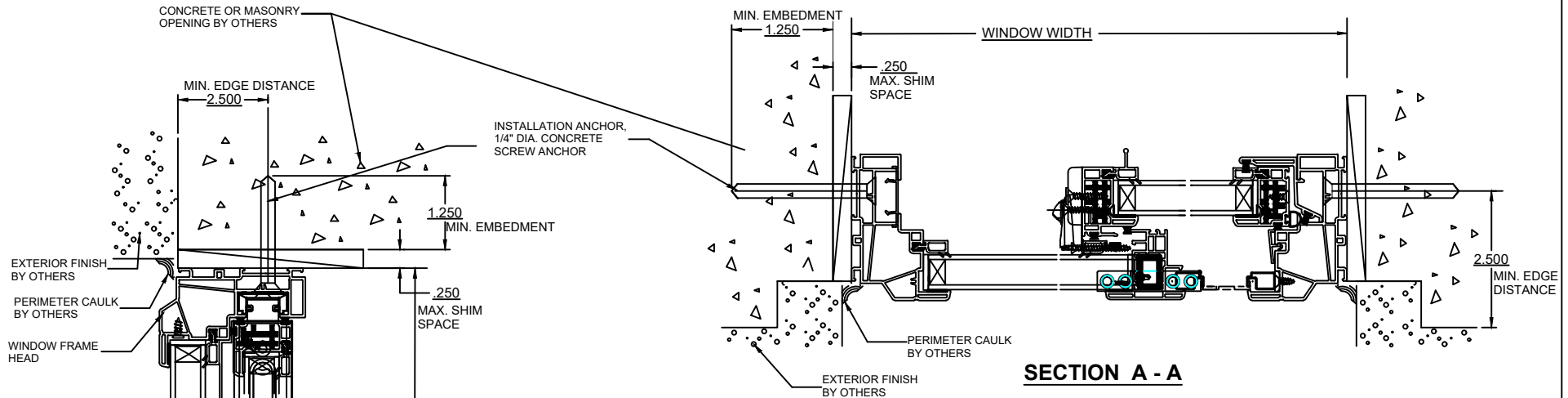
**NOTES:**

- (1) THIS PRODUCT IS DESIGNED TO COMPLY WITH THE FLORIDA BUILDING CODE 8TH EDITION (2023).
- (2) WINDOW MATERIAL : PVC.
- (3) SHIM AS REQ'D AT EACH SET OF INSTALLATION ANCHORS USING LOAD BEARING SHIMS. MAX. ALLOWABLE SHIM STACK TO BE 1/4". USE SHIMS WHERE SPACE GREATER THAN 1/16" IS PRESENT.
- (4) #10 WOOD SCREW ANCHORS MUST BE OF SUFFICIENT LENGTH TO ACHIEVE A MIN. EMBEDMENT OF 1 1/2" INTO 2 X WOOD BUCK
- (5) FOR MAX. ALLOWABLE SPACING OF #10 WOOD SCREWS SEE SHEET 1.
- (6) CAULK BEHIND FLANGE WITH LATEX CAULK. APPLICATION OF LATEX CAULK MUST COMPLY WITH SEALANT MANUFACTURERS RECOMMENDATIONS.
- (7) AN APPROVED MEMBRANE OR MATERIAL SHALL BE PLACED BETWEEN ALL DISSIMILAR METALS TO CONTROL GALVANIC CORROSION.
- (8) IF EXACT WINDOW SIZE IS NOT LISTED IN ANCHOR CHART, USE THE NEXT SIZE LARGER WINDOW FOR ANCHOR QUANTY.
- (9) ALL INSTALLATION ANCHORS MUST BE MADE OF A CORROSION RESISTANT MATERIAL OR COATING.
- (10) SEE SHEET 1 (GENERAL NOTES) FOR DESIGN PRESSURES AND ANCHOR QUANTITIES.
- (11) 2X WOOD BUCK MAY BE USED TO FILL OPENING WHEN OPENING IS LARGER THAN WINDOW. 2X WOOD MUST BE FASTENED SECURLY TO MASONRY AS PERF.B.C. BY OTHERS.



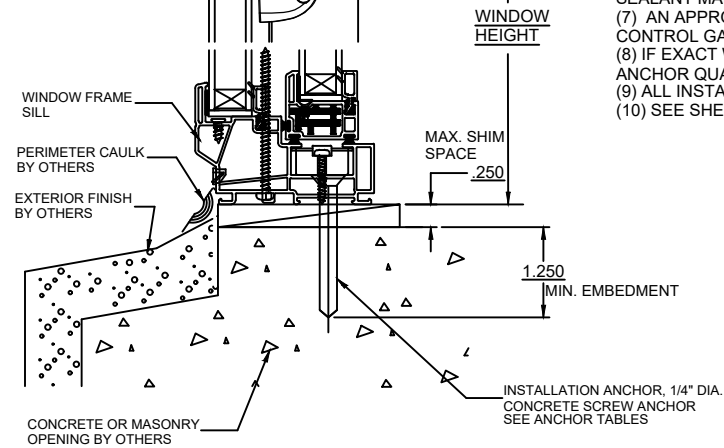
<b>WINDOW CRAFTSMEN, INC.</b>			
6031 CLARK CENTER AVE.			
SARASOTA, FLORIDA 34238			
TITLE: SS-201 INSULATED GLASS VINYL SINGLE SLIDER WINDOW INSTALLATION INSTRUCTIONS FOR MASONRY WITH 2 BY WOOD BUCK			
ENGINEER: MARK A. SMITH	DRAWN BY: MAS	DATE: 12/27/15	
DISCIPLINE: CIVIL	SCALE: N.T.S.	DWG. NO.	WCL-VSS004
FL. REG. NO.: 55511	REV. LETTER: C	SHEET 3	

C	F.B.C.8TH ED.	9/29/23
B	F.B.C.7TH ED.	9/28/20
A	F.B.C.6TH ED.	9/19/17

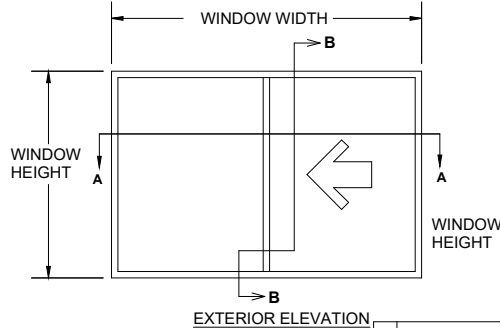


**NOTES:**

- (1) THIS PRODUCT IS DESIGNED TO COMPLY WITH THE FLORIDA BUILDING CODE 8TH EDITION (2023).
- (2) WINDOW MATERIAL : PVC.
- (3) SHIM AS REQ'D AT EACH SET OF INSTALLATION ANCHORS USING LOAD BEARING SHIMS. MAX. ALLOWABLE SHIM STACK TO BE 1/4". USE SHIMS WHERE SPACE GREATER THAN 1/16" IS PRESENT.
- (4) 3/16" DIA. CONCRETE SCREW ANCHORS MUST BE OF SUFFICIENT LENGTH TO ACHIEVE A MIN. EMBEDMENT OF 1 1/4" INTO CONCRETE OR MASONRY FOR 1 X WOOD BUCK.
- (5) FOR MAX. ALLOWABLE SPACING OF 3/16" DIA. CONCRETE SCREWS SEE SHEET 1.
- (6) CAULK BEHIND FLANGE WITH LATEX CAULK. APPLICATION OF LATEX CAULK MUST COMPLY WITH SEALANT MANUFACTURERS RECOMMENDATIONS.
- (7) AN APPROVED MEMBRANE OR MATERIAL SHALL BE PLACED BETWEEN ALL DISSIMILAR METALS TO CONTROL GALVANIC CORROSION.
- (8) IF EXACT WINDOW SIZE IS NOT LISTED IN ANCHOR CHART, USE THE NEXT SIZE LARGER WINDOW FOR ANCHOR QUANTITY.
- (9) ALL INSTALLATION ANCHORS MUST BE MADE OF A CORROSION RESISTANT MATERIAL OR COATING.
- (10) SEE SHEET 1 (GENERAL NOTES) FOR DESIGN PRESSURES AND ANCHOR QUANTITIES.



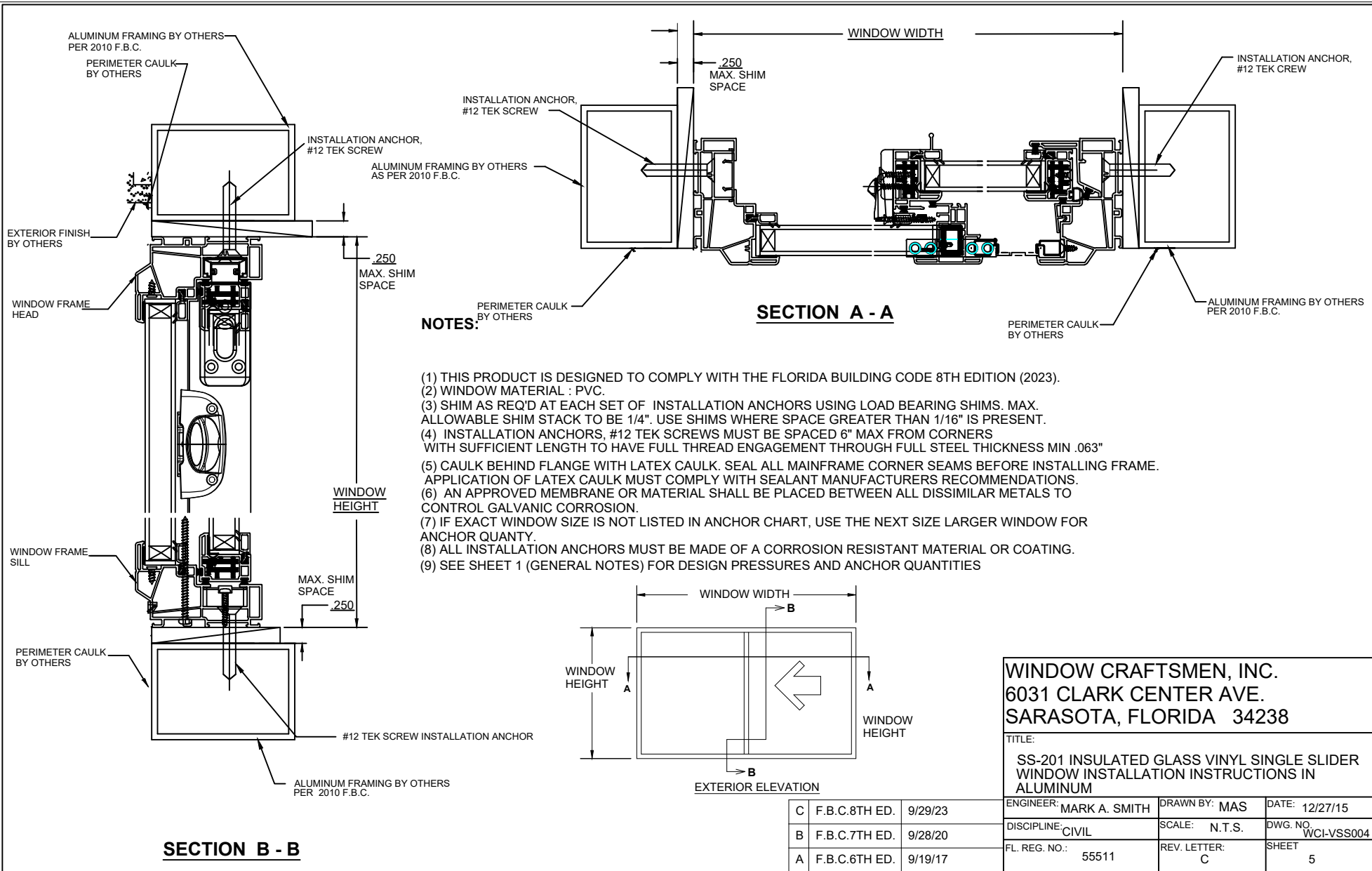
**SECTION B - B**



**EXTERIOR ELEVATION**

<b>WINDOW CRAFTSMEN, INC.</b> 6031 CLARK CENTER AVE. SARASOTA, FLORIDA 34238			
TITLE: <b>SS-201 INSULATED GLASS VINYL SINGLE SLIDER WINDOW INSTALLATION INSTRUCTIONS IN MASONRY</b>			
ENGINEER: MARK A. SMITH	DRAWN BY: MAS	DATE: 12/27/15	
DISCIPLINE: CIVIL	SCALE: N.T.S.	DWG. NO. WCI-VSS004	
FL. REG. NO.: 55511	REV. LETTER: C	SHEET 4	

C	F.B.C.8TH ED.	9/29/2023
B	F.B.C.7TH ED.	9/28/2020
A	F.B.C.6TH ED.	9/19/17



**NOTES:**

- (1) THIS PRODUCT IS DESIGNED TO COMPLY WITH THE FLORIDA BUILDING CODE 8TH EDITION (2023).
- (2) WINDOW MATERIAL : PVC.
- (3) SHIM AS REQ'D AT EACH SET OF INSTALLATION ANCHORS USING LOAD BEARING SHIMS. MAX. ALLOWABLE SHIM STACK TO BE 1/4". USE SHIMS WHERE SPACE GREATER THAN 1/16" IS PRESENT.
- (4) INSTALLATION ANCHORS, #12 TEK SCREWS MUST BE SPACED 6" MAX FROM CORNERS WITH SUFFICIENT LENGTH TO HAVE FULL THREAD ENGAGEMENT THROUGH FULL STEEL THICKNESS MIN .063"
- (5) CAULK BEHIND FLANGE WITH LATEX CAULK. SEAL ALL MAINFRAME CORNER SEAMS BEFORE INSTALLING FRAME. APPLICATION OF LATEX CAULK MUST COMPLY WITH SEALANT MANUFACTURERS RECOMMENDATIONS.
- (6) AN APPROVED MEMBRANE OR MATERIAL SHALL BE PLACED BETWEEN ALL DISSIMILAR METALS TO CONTROL GALVANIC CORROSION.
- (7) IF EXACT WINDOW SIZE IS NOT LISTED IN ANCHOR CHART, USE THE NEXT SIZE LARGER WINDOW FOR ANCHOR QUANTITY.
- (8) ALL INSTALLATION ANCHORS MUST BE MADE OF A CORROSION RESISTANT MATERIAL OR COATING.
- (9) SEE SHEET 1 (GENERAL NOTES) FOR DESIGN PRESSURES AND ANCHOR QUANTITIES

<b>WINDOW CRAFTSMEN, INC.</b> 6031 CLARK CENTER AVE. SARASOTA, FLORIDA 34238		
TITLE: <b>SS-201 INSULATED GLASS VINYL SINGLE SLIDER WINDOW INSTALLATION INSTRUCTIONS IN ALUMINUM</b>		
ENGINEER: MARK A. SMITH	DRAWN BY: MAS	DATE: 12/27/15
DISCIPLINE: CIVIL	SCALE: N.T.S.	DWG. NO. WCI-VSS004
FL. REG. NO.: 55511	REV. LETTER: C	SHEET 5

C	F.B.C. 8TH ED.	9/29/23
B	F.B.C. 7TH ED.	9/28/20
A	F.B.C. 6TH ED.	9/19/17