

SS-200 INSULATED GLASS 70 DP

ANCHOR TABLE

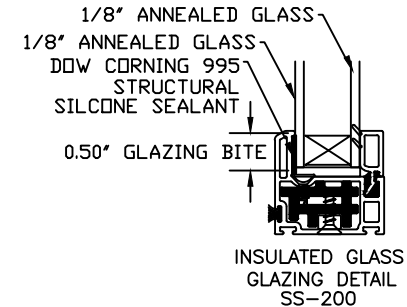
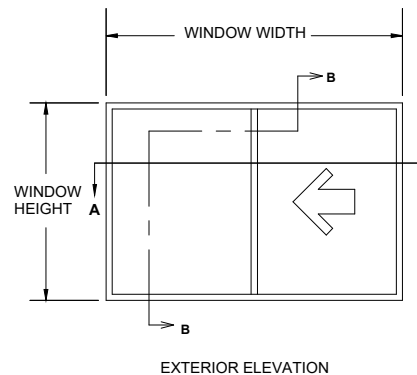
Window Width	Window Height	Number of Anchors		Design	Design
		Across Head & Sill	Across Jambs	Pressure Neg.	Pressure Pos.
24.000	24.000	2	2	-70.00	+70.00
36.000	24.000	3	2	-70.00	+70.00
48.000	24.000	4	2	-70.00	+70.00
60.000	24.000	5	2	-70.00	+70.00
72.000	24.000	6	2	-70.00	+70.00
24.000	36.000	2	3	-70.00	+70.00
36.000	36.000	3	3	-70.00	+70.00
48.000	36.000	4	3	-70.00	+70.00
60.000	36.000	5	3	-70.00	+70.00
72.000	36.000	6	3	-70.00	+70.00
24.000	48.000	2	4	-70.00	+70.00
36.000	48.000	3	4	-70.00	+70.00
48.000	48.000	4	4	-70.00	+70.00
60.000	48.000	5	4	-70.00	+70.00
72.000	48.000	6	4	-70.00	+70.00

NOTES:

- (1) THIS PRODUCT IS DESIGNED TO COMPLY WITH THE FLORIDA BUILDING CODE, 8TH EDITION (2023).
- (2) SHIM AS REQ'D AT EACH SET OF INSTALLATION ANCHORS USING LOAD BEARING SHIMS. MAX. ALLOWABLE SHIM STACK TO BE 1/4". USE SHIMS WHERE SPACE GREATER THAN 1/16" IS PRESENT.
- (3) WINDOW MATERIAL : PVC.
- (4) 3/16" DIA. CONCRETE SREW ANCHORS MUST BE OF SUFFICIENT LENGTH TO ACHIEVE A MIN. EMBEDMENT OF 1 1/4" INTO CONCRETE OR MASONRY FOR 1 X WOOD BUCK OR A MIN. EMBEDMENT OF 1 1/4" INTO SOLID WOOD FOR 2 X BUCK OR WOOD FRAMED OPENINGS (GREATER THAN 1 3/8" THICK).
- (5) ALL FACTORY APPLIED HOLES IN FRAME MEMBERS NOT DESIGNATED FOR CONCRETE SCREW ANCHORS SHOULD BE FILLED WITH #10 SCREWS OF SUFFICIENT LENGTH TO ACHIEVE A MIN. EMBEDMENT OF 1-1/2" INTO WOOD BUCK.
- (6) USE LATEX CAULK OR EQUIVALENT FOR PERIMETER SEAL AROUND EXTERIOR OF WINDOW.
- (7) WHEN INSTALLING INTO STEEL OR ALUMINUM, #12 SMS MUST HAVE SUFFICIENT LENGTH SO THAT THERE IS FULL THREAD ENGAGEMENT THROUGH THE METAL.
- (8) IF EXACT WINDOW SIZE IS NOT LISTED IN ANCHOR CHART, USE THE NEXT SIZE LARGER WINDOW FOR ANCHOR QUANTY.
- (9) GLASS COMPLIES WITH ASTM E-1300 GLASS CHART REQUIREMENTS.
- INSULATED GLASS: 1/8" ANNEALED 1/2 AS (ALUMINUM) X 1/8 ANNEALED 3/4 OAT
- (10) ALL INSTALLATION ANCHORS MUST BE MADE OF A CORROSION RESISTANT MATERIAL OR COATING.
- (11) NOT ALL CONFIGURATIONS LISTED ON ANCHOR CHART ARE SHOWN ON THIS DRAWING. HOWEVER, INSTALLATION SECTION A-A & B-B APPLY TO ALL CONFIGURATIONS.

ANCHOR DETAILS

APPLICATION	ANCHOR	EDGE DIST.	MIN. EMBEDMENT	MAX. SHIM SPACE
MASONRY W/1 BY WOOD BUCK	3/16" CONC.	2.5"	1.25"	0.25"
MASONRY W/2 BY WOOD BUCK	#10 WOOD	1.5"	1.50"	0.25"
MASONRY	3/16" CONC.	2.5"	1.25"	0.25"
METAL	#12 SMS	0.75"	.045" (THICK)	0.25"



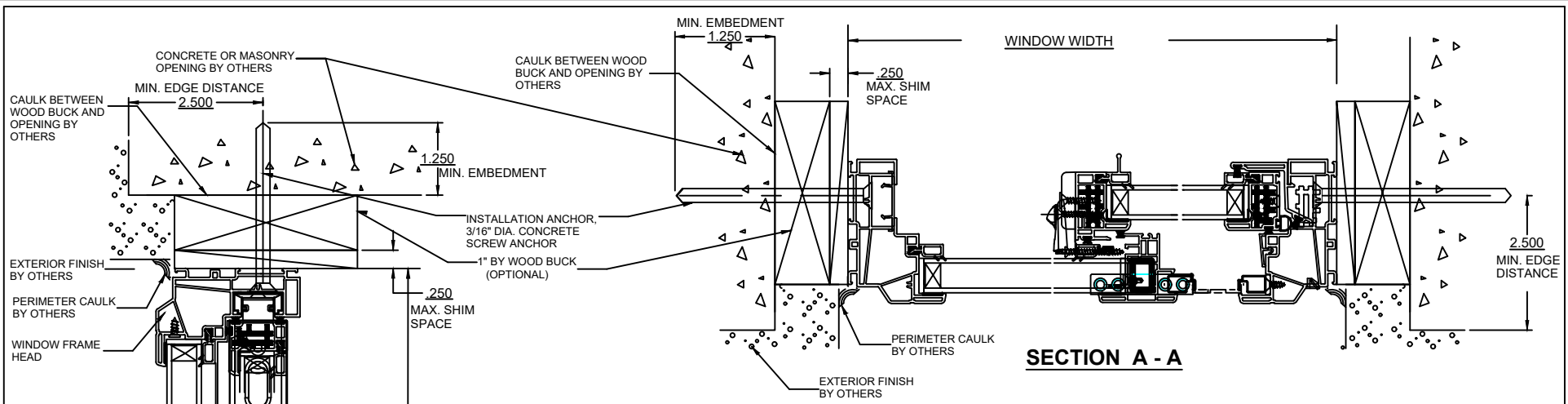
NOTES ON ANCHOR CALCULATIONS:

- (1) CALCULATIONS DERIVED FROM TESTED UNIT SS-200 TEST REPORT # NCTL-110-14899-1 NAMI # NI011056.01.
- (2) THE QUANTITY OF ANCHORS ARE FOR EACH SIDE, NOT TOTAL QUANTITY.
- (3) MAX. SPACING AT HEAD CORNER IS 6".
- (4) MAX. SPACING AT JAMB CORNER IS 6".
- (5) MAX. SPACING ACROSS HEAD AND SILL IS 12".
- (6) MAX. SPACING ACROSS JAMBS IS 13".

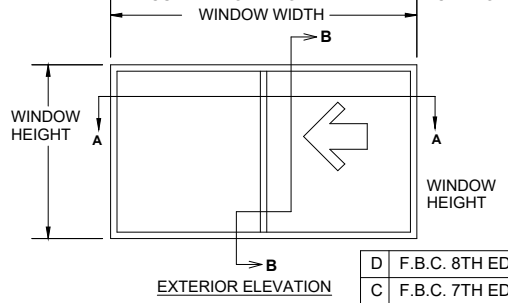
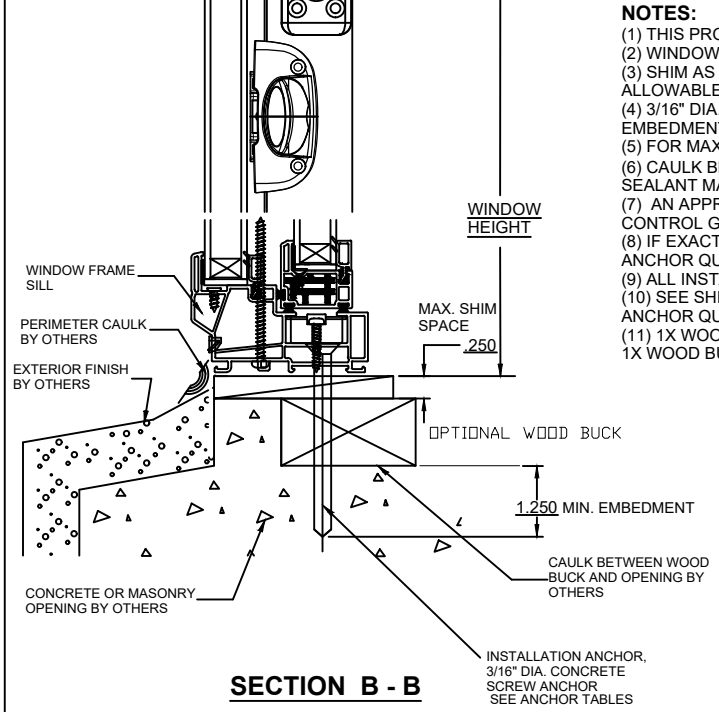
WINDOW CRAFTSMEN, INC.
6031 CLARK CENTER AVE.
SARASOTA, FLORIDA 34238

TITLE: SS-200 INSULATED GLASS VINYL SINGLE SLIDER WINDOW INSTALLATION INSTRUCTIONS FOR NOTES AND ANCHOR SPECIFICATIONS		
ENGINEER: MARK A. SMITH	DRAWN BY: MAS	DATE: 09/14/12
DISCIPLINE: CIVIL	SCALE: N.T.S.	DWG. NO. WCL-VSS002
FL. REG. NO.: 55511	REV. LETTER: D	SHEET 1

D	F.B.C. 8TH ED.	9/29/23
C	F.B.C. 7TH ED.	9/28/20
B	F.B.C. 6TH ED.	9/19/17
A	F.B.C. 5TH ED.	11/16/15



- NOTES:**
- (1) THIS PRODUCT IS DESIGNED TO COMPLY WITH THE FLORIDA BUILDING CODE 8TH EDITION (2023).
 - (2) WINDOW MATERIAL : PVC.
 - (3) SHIM AS REQ'D AT EACH SET OF INSTALLATION ANCHORS USING LOAD BEARING SHIMS. MAX. ALLOWABLE SHIM STACK TO BE 1/4". USE SHIMS WHERE SPACE GREATER THAN 1/16" IS PRESENT.
 - (4) 3/16" DIA. CONCRETE SCREW ANCHORS MUST BE OF SUFFICIENT LENGTH TO ACHIEVE A MIN. EMBEDMENT OF 1 1/4" INTO CONCRETE OR MASONRY FOR 1 X WOOD BUCK.
 - (5) FOR MAX. ALLOWABLE SPACING OF 3/16" DIA. CONCRETE SCREWS SEE SHEET 1.
 - (6) CAULK BEHIND FLANGE WITH LATEX CAULK. APPLICATION OF LATEX CAULK MUST COMPLY WITH SEALANT MANUFACTURERS RECOMMENDATIONS.
 - (7) AN APPROVED MEMBRANE OR MATERIAL SHALL BE PLACED BETWEEN ALL DISSIMILAR METALS TO CONTROL GALVANIC CORROSION.
 - (8) IF EXACT WINDOW SIZE IS NOT LISTED IN ANCHOR CHART, USE THE NEXT SIZE LARGER WINDOW FOR ANCHOR QUANTITY.
 - (9) ALL INSTALLATION ANCHORS MUST BE MADE OF A CORROSION RESISTANT MATERIAL OR COATING.
 - (10) SEE SHEET 1 (GENERAL NOTES) FOR DESIGN PRESSURES (PER COMPARATIVE ANALYSIS) AND ANCHOR QUANTITIES.
 - (11) 1X WOOD BUCK MAY BE USED TO FILL OPENING WHEN OPENING IS LARGER THAN WINDOW. 1X WOOD BUCK MUST BE FASTENED SECURELY TO MASONRY AS PER F.B.C. BY OTHERS.



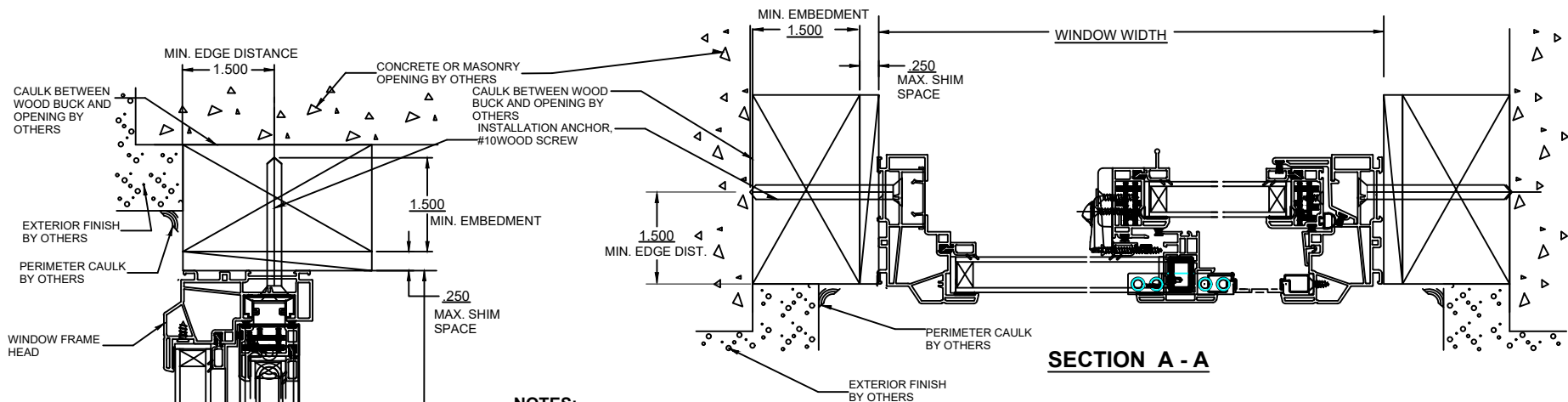
SECTION A - A

SECTION B - B

WINDOW CRAFTSMEN, INC.
 6031 CLARK CENTER AVE.
 SARASOTA, FLORIDA 34238

TITLE:
SS-200 INSULATED GLASS VINYL SINGLE SLIDER WINDOW INSTALLATION INSTRUCTIONS FOR MASONRY WITH 1 BY WOOD BUCK

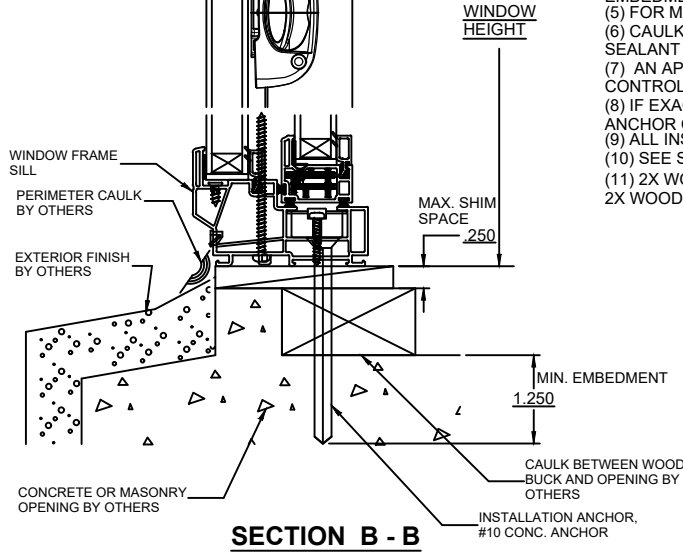
D F.B.C. 8TH ED. 9/29/23	ENGINEER: MARK A. SMITH	DRAWN BY: MAS	DATE: 09/14/12
C F.B.C. 7TH ED. 9/29/20	DISCIPLINE: CIVIL	SCALE: N.T.S.	DWG. NO. WCI-VSS002
B F.B.C. 6TH ED. 9/19/17	FL. REG. NO.: 55511	REV. LETTER: D	SHEET 2
A F.B.C. 5TH ED. 11/16/15			



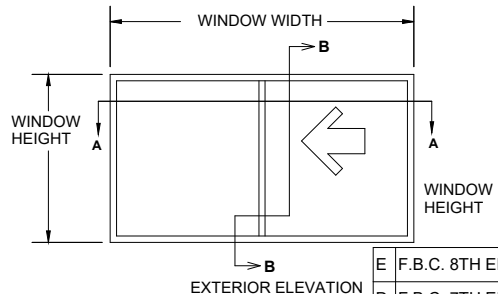
SECTION A - A

NOTES:

- (1) THIS PRODUCT IS DESIGNED TO COMPLY WITH THE FLORIDA BUILDING CODE 8TH EDITION (2023).
- (2) WINDOW MATERIAL : PVC.
- (3) SHIM AS REQ'D AT EACH SET OF INSTALLATION ANCHORS USING LOAD BEARING SHIMS. MAX. ALLOWABLE SHIM STACK TO BE 1/4". USE SHIMS WHERE SPACE GREATER THAN 1/16" IS PRESENT.
- (4) #10 WOOD SCREW ANCHORS MUST BE OF SUFFICIENT LENGTH TO ACHIEVE A MIN. EMBEDMENT OF 1 1/2" INTO 2 X WOOD BUCK
- (5) FOR MAX. ALLOWABLE SPACING OF #10 WOOD SCREWS SEE SHEET 1.
- (6) CAULK BEHIND FLANGE WITH LATEX CAULK. APPLICATION OF LATEX CAULK MUST COMPLY WITH SEALANT MANUFACTURERS RECOMMENDATIONS.
- (7) AN APPROVED MEMBRANE OR MATERIAL SHALL BE PLACED BETWEEN ALL DISSIMILAR METALS TO CONTROL GALVANIC CORROSION.
- (8) IF EXACT WINDOW SIZE IS NOT LISTED IN ANCHOR CHART, USE THE NEXT SIZE LARGER WINDOW FOR ANCHOR QUANTITY.
- (9) ALL INSTALLATION ANCHORS MUST BE MADE OF A CORROSION RESISTANT MATERIAL OR COATING.
- (10) SEE SHEET 1 (GENERAL NOTES) FOR DESIGN PRESSURES AND ANCHOR QUANTITIES.
- (11) 2X WOOD BUCK MAY BE USED TO FILL OPENING WHEN OPENING IS LARGER THAN WINDOW. 2X WOOD MUST BE FASTENED SECURLY TO MASONRY AS PERF.B.C. BY OTHERS.

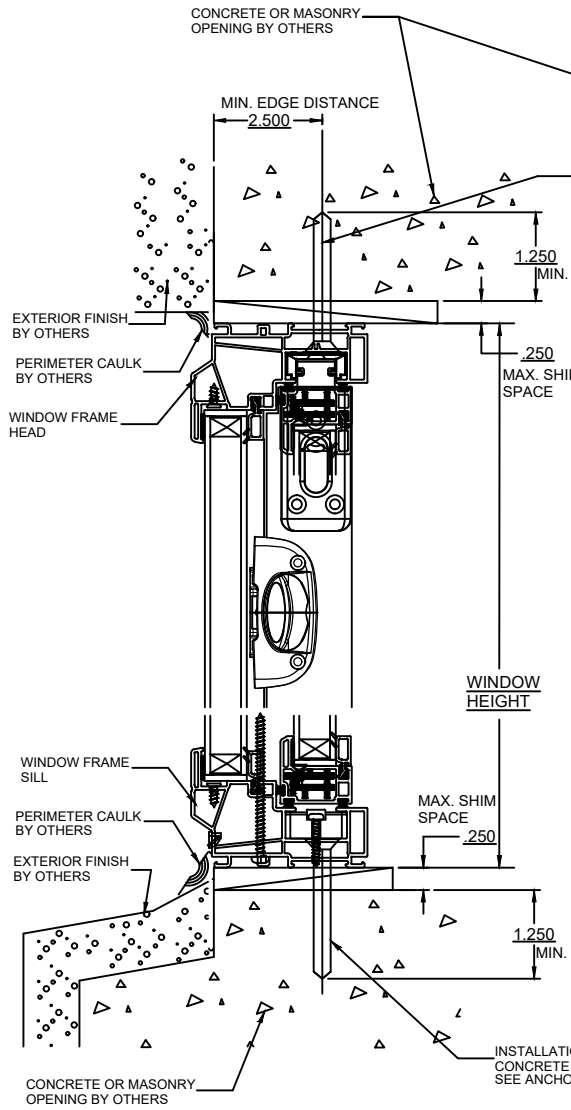


SECTION B - B

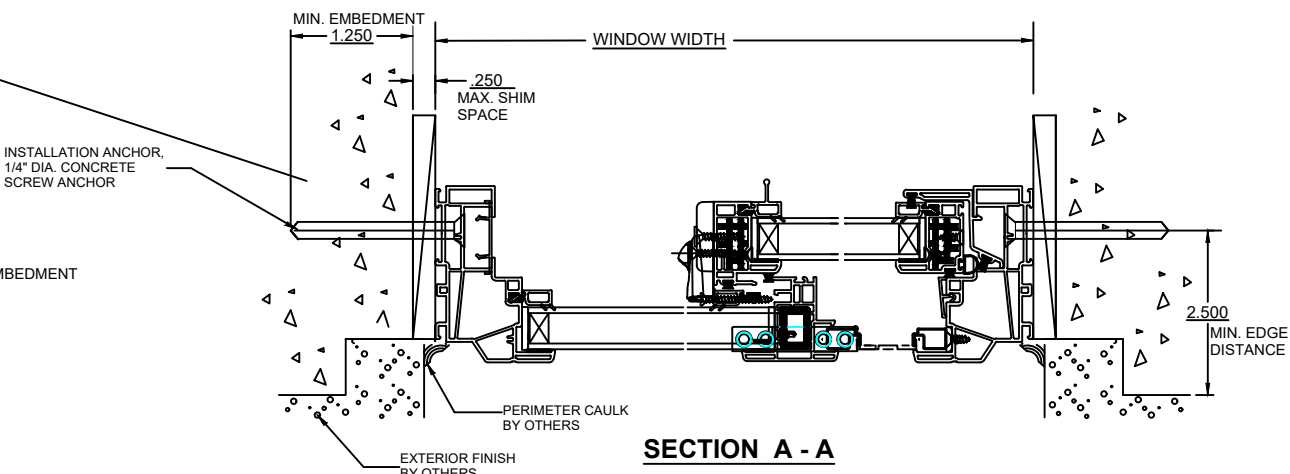


EXTERIOR ELEVATION

WINDOW CRAFTSMEN, INC.			
6031 CLARK CENTER AVE.			
SARASOTA, FLORIDA 34238			
TITLE: SS-200 INSULATED GLASS VINYL SINGLE SLIDER WINDOW INSTALLATION INSTRUCTIONS FOR MASONRY WITH 2 BY WOOD BUCK			
E	F.B.C. 8TH ED.	9/29/23	ENGINEER: MARK A. SMITH
D	F.B.C. 7TH ED.	9/29/20	ENGINEER: MARK A. SMITH
C	F.B.C. 6TH ED.	9/19/17	DISCIPLINE: CIVIL
B	F.B.C. 5TH ED.	11/16/15	FL. REG. NO.: 55511
			DRAWN BY: MAS
			SCALE: N.T.S.
			REV. LETTER: E
			DATE: 12/13/12
			DWG. NO. WCI-VSS002
			SHEET 3



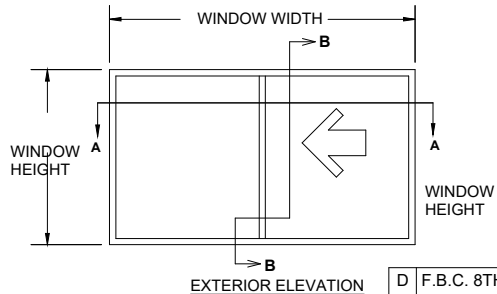
SECTION B - B



SECTION A - A

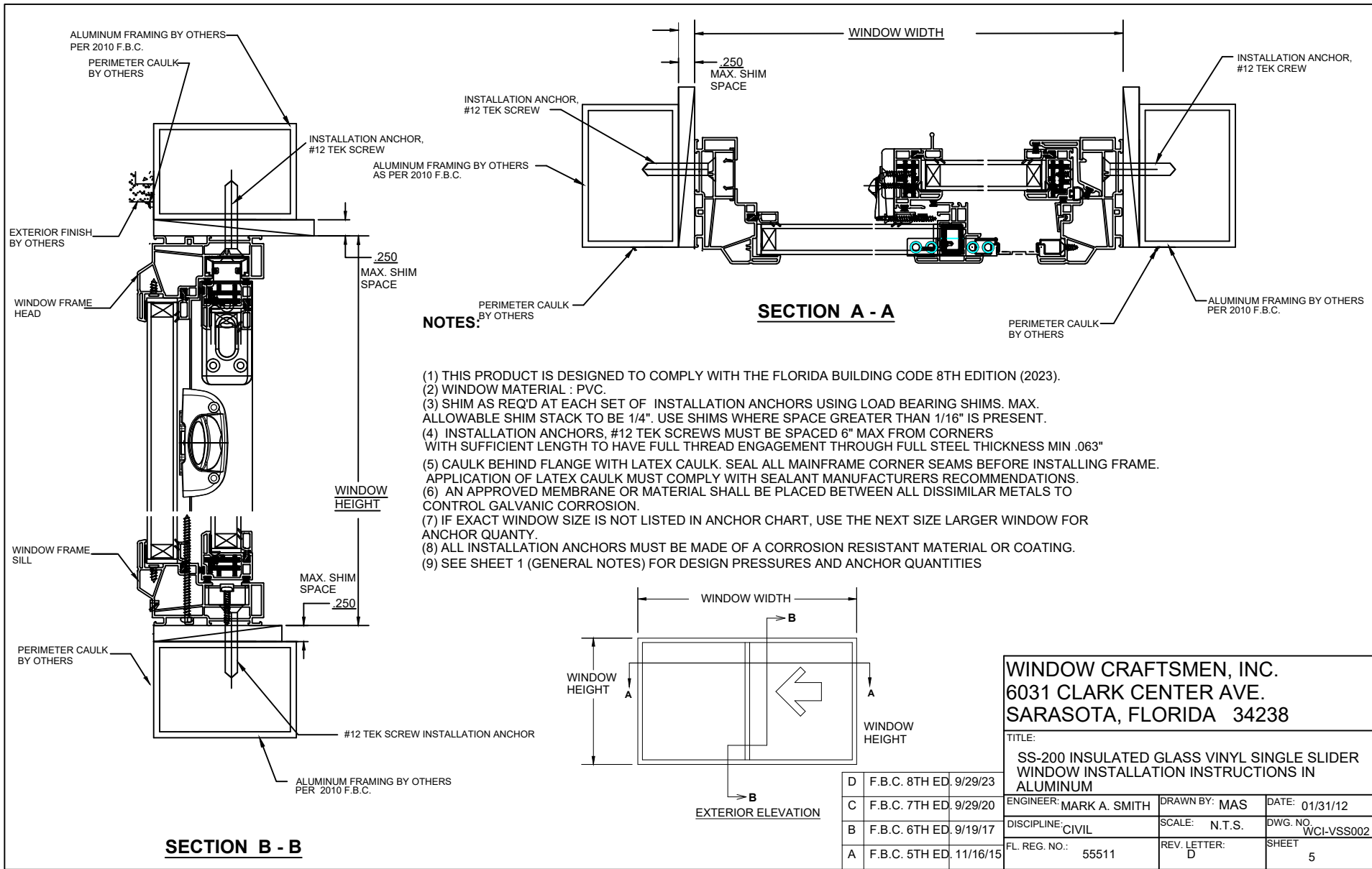
NOTES:

- (1) THIS PRODUCT IS DESIGNED TO COMPLY WITH THE FLORIDA BUILDING CODE 8TH EDITION (2023).
- (2) WINDOW MATERIAL : PVC.
- (3) SHIM AS REQ'D AT EACH SET OF INSTALLATION ANCHORS USING LOAD BEARING SHIMS. MAX. ALLOWABLE SHIM STACK TO BE 1/4". USE SHIMS WHERE SPACE GREATER THAN 1/16" IS PRESENT.
- (4) 3/16" DIA. CONCRETE SCREW ANCHORS MUST BE OF SUFFICIENT LENGTH TO ACHIEVE A MIN. EMBEDMENT OF 1 1/4" INTO CONCRETE OR MASONRY FOR 1 X WOOD BUCK.
- (5) FOR MAX. ALLOWABLE SPACING OF 3/16" DIA. CONCRETE SCREWS SEE SHEET 1.
- (6) CAULK BEHIND FLANGE WITH LATEX CAULK. APPLICATION OF LATEX CAULK MUST COMPLY WITH SEALANT MANUFACTURERS RECOMMENDATIONS.
- (7) AN APPROVED MEMBRANE OR MATERIAL SHALL BE PLACED BETWEEN ALL DISSIMILAR METALS TO CONTROL GALVANIC CORROSION.
- (8) IF EXACT WINDOW SIZE IS NOT LISTED IN ANCHOR CHART, USE THE NEXT SIZE LARGER WINDOW FOR ANCHOR QUANTY.
- (9) ALL INSTALLATION ANCHORS MUST BE MADE OF A CORROSION RESISTANT MATERIAL OR COATING.
- (10) SEE SHEET 1 (GENERAL NOTES) FOR DESIGN PRESSURES AND ANCHOR QUANTITIES.



EXTERIOR ELEVATION

WINDOW CRAFTSMEN, INC. 6031 CLARK CENTER AVE. SARASOTA, FLORIDA 34238			
TITLE: SS-200 INSULATED GLASS VINYL SINGLE SLIDER WINDOW INSTALLATION INSTRUCTIONS IN MASONRY			
D F.B.C. 8TH ED.	9/29/23	ENGINEER: MARK A. SMITH	DATE: 01/31/12
C F.B.C. 7TH ED.	9/29/20	DRAWN BY: MAS	DWG. NO. WCI-VSS002
B F.B.C. 6TH ED.	9/19/17	DISCIPLINE: CIVIL	SCALE: N.T.S.
A F.B.C. 5TH ED.	11/16/15	FL. REG. NO.: 55511	REV. LETTER: D
			SHEET 4



WINDOW CRAFTSMEN, INC.
 6031 CLARK CENTER AVE.
 SARASOTA, FLORIDA 34238

TITLE:
SS-200 INSULATED GLASS VINYL SINGLE SLIDER WINDOW INSTALLATION INSTRUCTIONS IN ALUMINUM

D	F.B.C. 8TH ED	9/29/23	ENGINEER: MARK A. SMITH	DRAWN BY: MAS	DATE: 01/31/12
C	F.B.C. 7TH ED	9/29/20	DISCIPLINE: CIVIL	SCALE: N.T.S.	DWG. NO. WCI-VSS002
B	F.B.C. 6TH ED	9/19/17	FL. REG. NO.: 55511	REV. LETTER: D	SHEET 5
A	F.B.C. 5TH ED	11/16/15			