

**SH-300 IMPACT INSULATED GLASS**

**70\_DP ANCHOR TABLE**

Window Width	Window Height	Number of Anchors		Design Pressure Neg.	Design Pressure Pos.
		Across Head & Sill	Across Jamb		
24.000	36.000	2	3	-70.00	+70.00
24.000	48.000	2	4	-70.00	+70.00
24.000	60.000	2	5	-70.00	+70.00
24.000	72.000	2	6	-70.00	+70.00
24.000	75.000	2	6	-70.00	+70.00
36.000	36.000	3	3	-70.00	+70.00
36.000	48.000	3	4	-70.00	+70.00
36.000	60.000	3	5	-70.00	+70.00
36.000	72.000	3	6	-70.00	+70.00
36.000	75.000	3	6	-70.00	+70.00
52.000	36.000	4	3	-70.00	+70.00
52.000	48.000	4	4	-70.00	+70.00
52.000	60.000	4	5	-70.00	+70.00
52.000	72.000	4	6	-70.00	+70.00
52.000	75.000	4	6	-70.00	+70.00

**ANCHOR DETAILS**

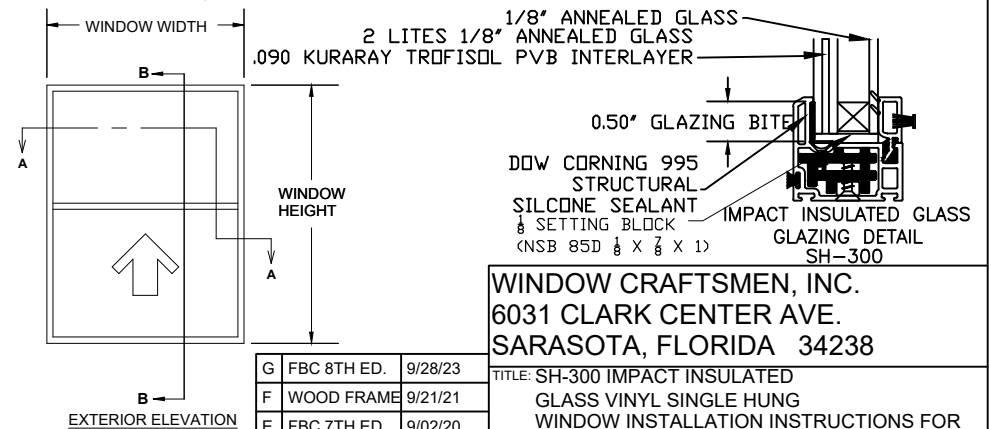
APPLICATION	ANCHOR	EDGE DIST.	MIN. EMBEDMENT	MAX. SHIM SPACE
MASONRY W/1 BY WOOD BUCK	3/16" CONC.	2.5"	1.25"	0.25"
MASONRY W/2 BY WOOD BUCK	#10 WOOD	1.5"	1.50"	0.25"
MASONRY	3/16" CONC.	2.5"	1.25"	0.25"
METAL	#12 SMS	0.75"	.045" (THICK)	0.25"
2 BY WOOD FRAMING BUCK	#10 WOOD	1.5"	1.50"	0.25"

**NOTES ON ANCHOR CALCULATIONS:**

- (1) CALCULATIONS DERIVED FROM TESTED UNIT DH-500 TEST REPORT # NCTL-110-14896-1,2,3,4,5 NAMI # NIO11055.
- (2) THE QUANTITY OF ANCHORS ARE FOR EACH SIDE, NOT TOTAL QUANTITY.
- (3) MAX. SPACING AT HEAD CORNER IS 6".
- (4) MAX. SPACING AT JAMB CORNER IS 6".
- (5) MAX. SPACING ACROSS HEAD AND SILL IS 12".
- (6) MAX. SPACING ACROSS JAMBS IS 13".

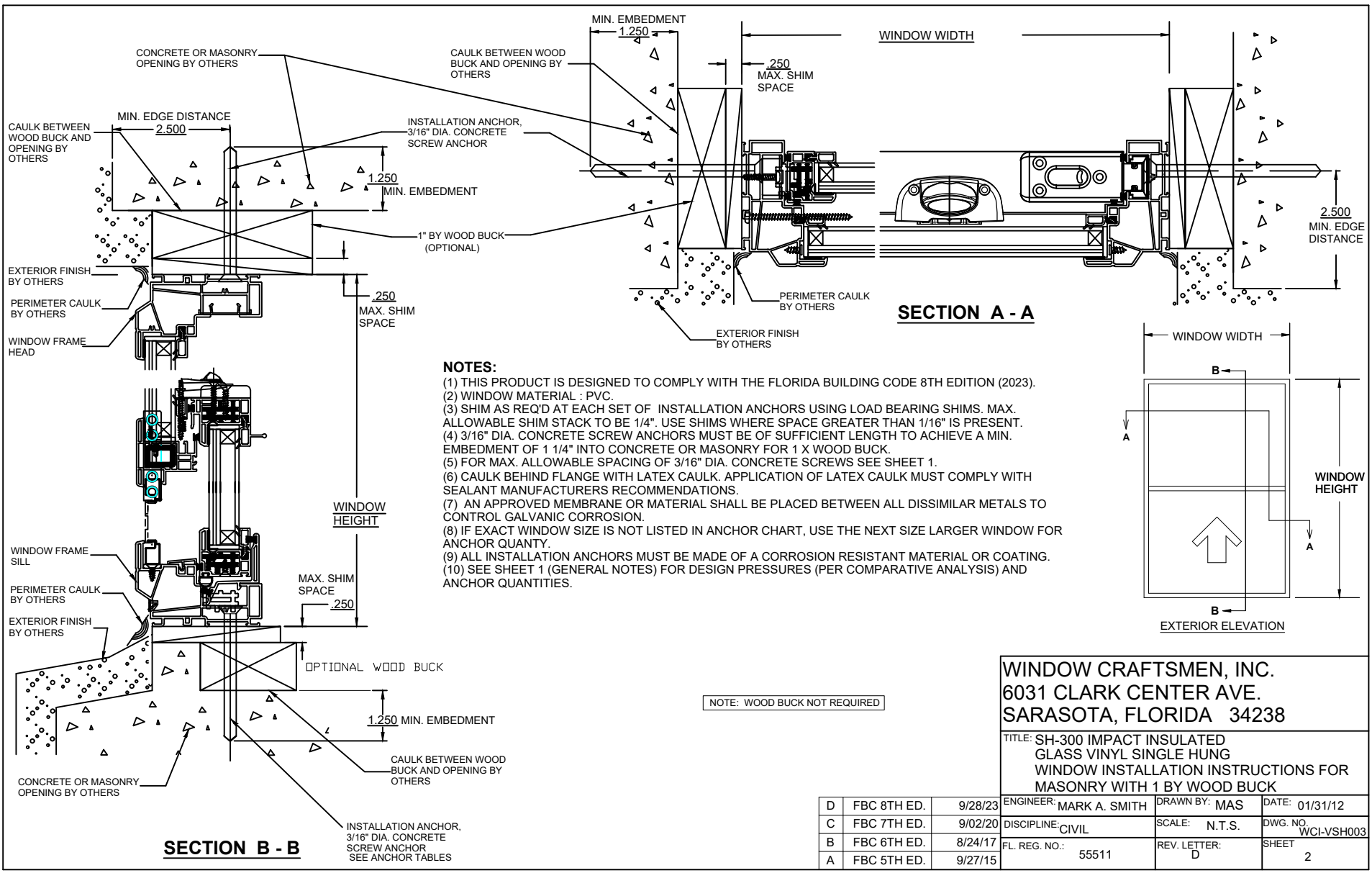
**NOTES:**

- (1) THIS PRODUCT IS DESIGNED TO COMPLY WITH THE FLORIDA BUILDING CODE 8TH ED. (2023).
- (2) SHIM AS REQ'D AT EACH SET OF INSTALLATION ANCHORS USING LOAD BEARING SHIMS. MAX. ALLOWABLE SHIM STACK TO BE 1/4". USE SHIMS WHERE SPACE GREATER THAN 1/16" IS PRESENT.
- (3) WINDOW MATERIAL : PVC.
- (4) 3/16" DIA. CONCRETE SREW ANCHORS MUST BE OF SUFFICIENT LENGTH TO ACHIEVE A MIN. EMBEDMENT OF 1 1/4" INTO CONCRETE OR MASONRY FOR 1 X WOOD BUCK OR A MIN. EMBEDMENT OF 1 1/4" INTO SOLID WOOD FOR 2 X BUCK OR WOOD FRAMED OPENINGS (GREATER THAN 1 3/8" THICK).
- (5) ALL FACTORY APPLIED HOLES IN FRAME MEMBERS NOT DESIGNATED FOR CONCRETE SCREW ANCHORS SHOULD BE FILLED WITH #10 SCREWS OF SUFFICIENT LENGTH TO ACHIEVE A MIN. EMBEDMENT OF 1-1/2" INTO WOOD BUCK.
- (6) USE LATEX CAULK OR EQUIVALENT FOR PERIMETER SEAL AROUND EXTERIOR OF WINDOW.
- (7) WHEN INSTALLING INTO STEEL OR ALUMINUM, #10 SMS MUST HAVE SUFFICIENT LENGTH SO THAT THERE IS FULL THREAD ENGAGEMENT THROUGH THE METAL.
- (8) IF EXACT WINDOW SIZE IS NOT LISTED IN ANCHOR CHART, USE THE NEXT SIZE LARGER WINDOW FOR ANCHOR QUANTY.
- (9) GLASS COMPLIES WITH ASTM E-1300 GLASS CHART REQUIREMENTS. INSULATED GLASS/LAMINATED: 1/8" ANNEALED X .090 PVB X 1/8" ANNEALED 7/16 AS X 1/8 ANNEALED 7/8 OAT.
- (10) ALL INSTALLATION ANCHORS MUST BE MADE OF A CORROSION RESISTANT MATERIAL OR COATING.
- (11) NOT ALL CONFIGURATIONS LISTED ON ANCHOR CHART ARE SHOWN ON THIS DRAWING. HOWEVER, INSTALLATION SECTION A-A & B-B APPLY TO ALL CONFIGURATIONS.



**WINDOW CRAFTSMEN, INC.**  
 6031 CLARK CENTER AVE.  
 SARASOTA, FLORIDA 34238

G	FBC 8TH ED.	9/28/23	TITLE: SH-300 IMPACT INSULATED	
F	WOOD FRAME	9/21/21	GLASS VINYL SINGLE HUNG	
E	FBC 7TH ED.	9/02/20	WINDOW INSTALLATION INSTRUCTIONS FOR	
D	INTERLAYER	9/30/19	NOTES AND ANCHOR SPECIFICATIONS	
C	FBC 6TH ED.	8/24/17	ENGINEER: MARK A. SMITH	DRAWN BY: MAS
B	DUPONT	1/31/16	DATE: 03/25/12	
A	FBC 5TH ED.	9/27/15	DISCIPLINE: CIVIL	SCALE: N.T.S.
			FL. REG. NO.: 55511	REV. LETTER: G
				DWG. NO. WCI-VSH003
				SHEET 1



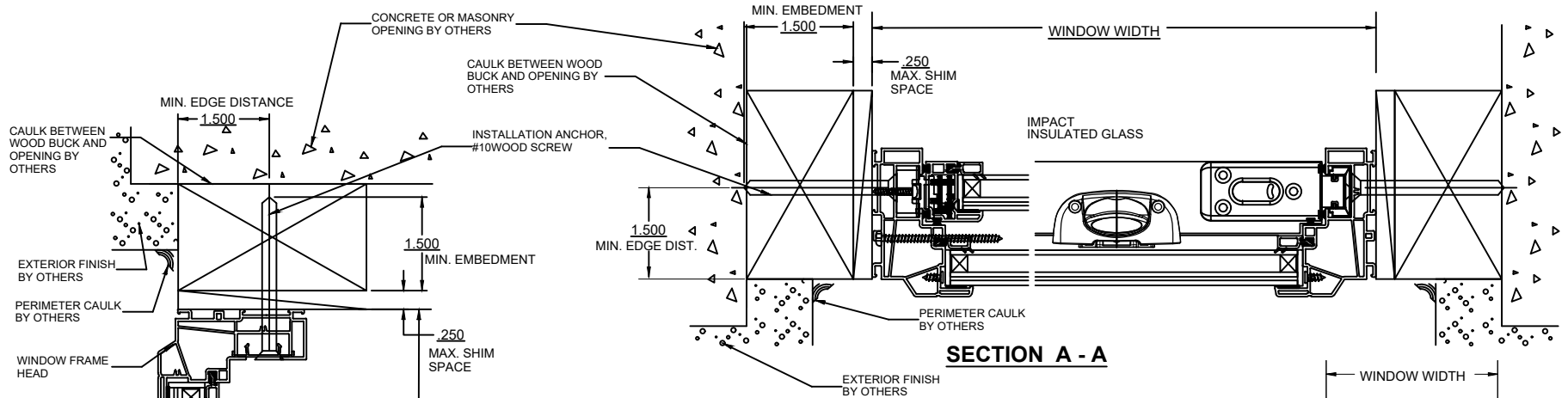
- NOTES:**
- (1) THIS PRODUCT IS DESIGNED TO COMPLY WITH THE FLORIDA BUILDING CODE 8TH EDITION (2023).
  - (2) WINDOW MATERIAL : PVC.
  - (3) SHIM AS REQ'D AT EACH SET OF INSTALLATION ANCHORS USING LOAD BEARING SHIMS. MAX. ALLOWABLE SHIM STACK TO BE 1/4". USE SHIMS WHERE SPACE GREATER THAN 1/16" IS PRESENT.
  - (4) 3/16" DIA. CONCRETE SCREW ANCHORS MUST BE OF SUFFICIENT LENGTH TO ACHIEVE A MIN. EMBEDMENT OF 1 1/4" INTO CONCRETE OR MASONRY FOR 1 X WOOD BUCK.
  - (5) FOR MAX. ALLOWABLE SPACING OF 3/16" DIA. CONCRETE SCREWS SEE SHEET 1.
  - (6) CAULK BEHIND FLANGE WITH LATEX CAULK. APPLICATION OF LATEX CAULK MUST COMPLY WITH SEALANT MANUFACTURERS RECOMMENDATIONS.
  - (7) AN APPROVED MEMBRANE OR MATERIAL SHALL BE PLACED BETWEEN ALL DISSIMILAR METALS TO CONTROL GALVANIC CORROSION.
  - (8) IF EXACT WINDOW SIZE IS NOT LISTED IN ANCHOR CHART, USE THE NEXT SIZE LARGER WINDOW FOR ANCHOR QUANTITY.
  - (9) ALL INSTALLATION ANCHORS MUST BE MADE OF A CORROSION RESISTANT MATERIAL OR COATING.
  - (10) SEE SHEET 1 (GENERAL NOTES) FOR DESIGN PRESSURES (PER COMPARATIVE ANALYSIS) AND ANCHOR QUANTITIES.

NOTE: WOOD BUCK NOT REQUIRED

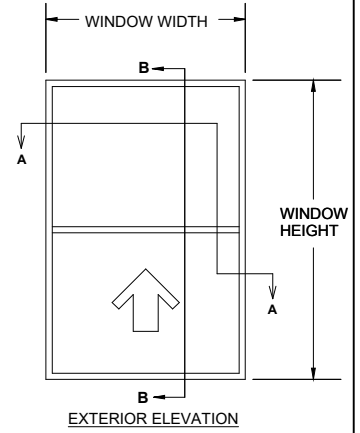
**WINDOW CRAFTSMEN, INC.**  
 6031 CLARK CENTER AVE.  
 SARASOTA, FLORIDA 34238

TITLE: SH-300 IMPACT INSULATED  
 GLASS VINYL SINGLE HUNG  
 WINDOW INSTALLATION INSTRUCTIONS FOR  
 MASONRY WITH 1 BY WOOD BUCK

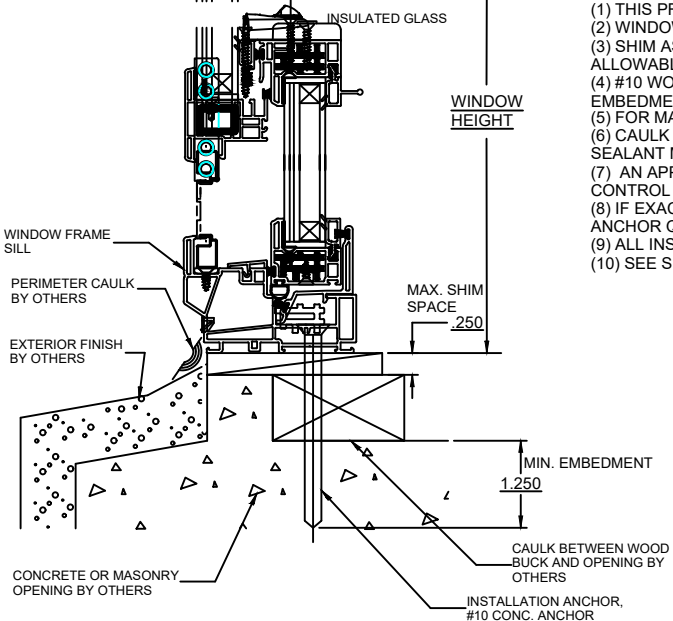
D	FBC 8TH ED.	9/28/23	ENGINEER: MARK A. SMITH	DRAWN BY: MAS	DATE: 01/31/12
C	FBC 7TH ED.	9/02/20	DISCIPLINE: CIVIL	SCALE: N.T.S.	DWG. NO. WCI-VSH003
B	FBC 6TH ED.	8/24/17	FL. REG. NO.: 55511	REV. LETTER: D	SHEET
A	FBC 5TH ED.	9/27/15			2



**SECTION A - A**



- NOTES:**
- (1) THIS PRODUCT IS DESIGNED TO COMPLY WITH THE FLORIDA BUILDING CODE 8TH EDITION (2023).
  - (2) WINDOW MATERIAL : PVC.
  - (3) SHIM AS REQ'D AT EACH SET OF INSTALLATION ANCHORS USING LOAD BEARING SHIMS. MAX. ALLOWABLE SHIM STACK TO BE 1/4". USE SHIMS WHERE SPACE GREATER THAN 1/16" IS PRESENT.
  - (4) #10 WOOD SCREW ANCHORS MUST BE OF SUFFICIENT LENGTH TO ACHIEVE A MIN. EMBEDMENT OF 1 1/2" INTO 2 X WOOD BUCK
  - (5) FOR MAX. ALLOWABLE SPACING OF #10 WOOD SCREWS SEE SHEET 1.
  - (6) CAULK BEHIND FLANGE WITH LATEX CAULK. APPLICATION OF LATEX CAULK MUST COMPLY WITH SEALANT MANUFACTURERS RECOMMENDATIONS.
  - (7) AN APPROVED MEMBRANE OR MATERIAL SHALL BE PLACED BETWEEN ALL DISSIMILAR METALS TO CONTROL GALVANIC CORROSION.
  - (8) IF EXACT WINDOW SIZE IS NOT LISTED IN ANCHOR CHART, USE THE NEXT SIZE LARGER WINDOW FOR ANCHOR QUANTY.
  - (9) ALL INSTALLATION ANCHORS MUST BE MADE OF A CORROSION RESISTANT MATERIAL OR COATING.
  - (10) SEE SHEET 1 (GENERAL NOTES) FOR DESIGN PRESSURES AND ANCHOR QUANTITIES.

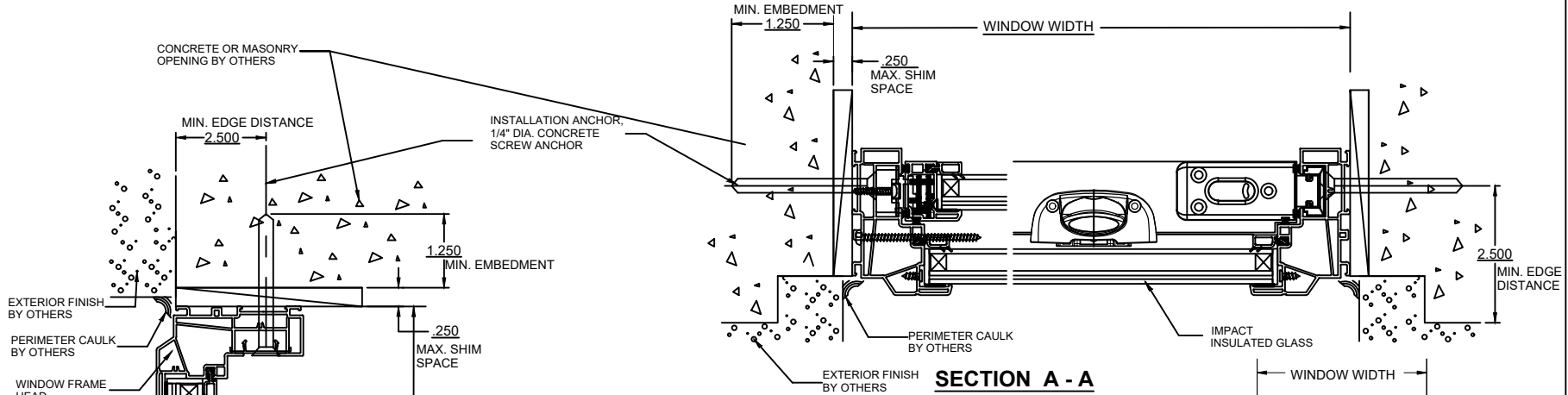


**SECTION B - B**

**WINDOW CRAFTSMEN, INC.**  
 6031 CLARK CENTER AVE.  
 SARASOTA, FLORIDA 34238

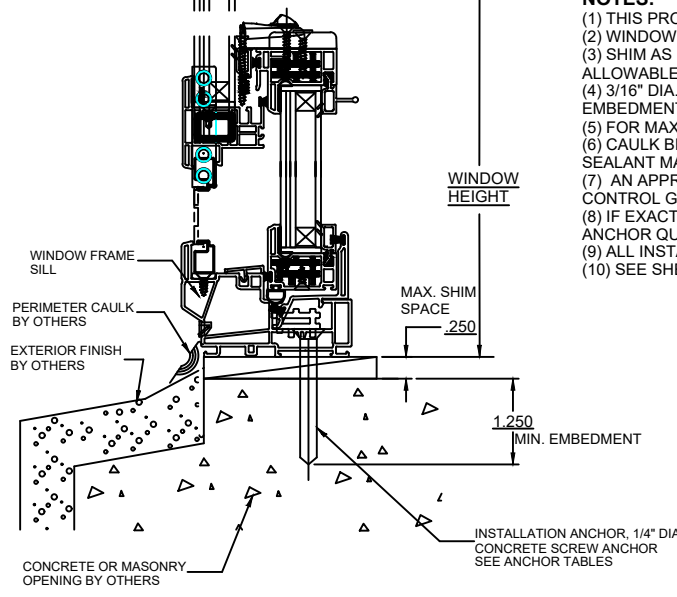
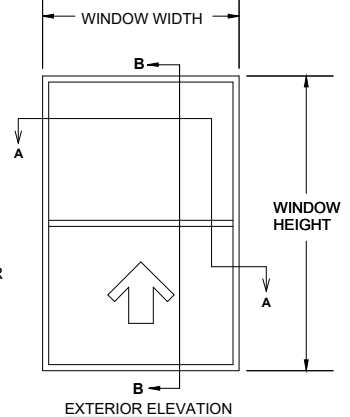
TITLE: SH-300 IMPACT INSULATED GLASS VINYL SINGLE HUNG WINDOW INSTALLATION INSTRUCTIONS FOR MASONRY WITH 2 BY WOOD BUCK

D	FBC 8TH ED.	9/28/23	ENGINEER: MARK A. SMITH	DRAWN BY: MAS	DATE: 01/31/12
C	FBC 7TH ED.	9/2/20	DISCIPLINE: CIVIL	SCALE: N.T.S.	DWG. NO. WCI-VSH003
B	FBC 6TH ED.	8/24/17	FL. REG. NO.: 55511	REV. LETTER: D	SHEET
A	FBC 5TH ED.	9/27/15			3



**NOTES:**

- (1) THIS PRODUCT IS DESIGNED TO COMPLY WITH THE FLORIDA BUILDING CODE 8TH EDITION (2023).
- (2) WINDOW MATERIAL : PVC.
- (3) SHIM AS REQ'D AT EACH SET OF INSTALLATION ANCHORS USING LOAD BEARING SHIMS. MAX. ALLOWABLE SHIM STACK TO BE 1/4". USE SHIMS WHERE SPACE GREATER THAN 1/16" IS PRESENT.
- (4) 3/16" DIA. CONCRETE SCREW ANCHORS MUST BE OF SUFFICIENT LENGTH TO ACHIEVE A MIN. EMBEDMENT OF 1 1/4" INTO CONCRETE OR MASONRY FOR 1 X WOOD BUCK.
- (5) FOR MAX. ALLOWABLE SPACING OF 3/16" DIA. CONCRETE SCREWS SEE SHEET 1.
- (6) CAULK BEHIND FLANGE WITH LATEX CAULK. APPLICATION OF LATEX CAULK MUST COMPLY WITH SEALANT MANUFACTURERS RECOMMENDATIONS.
- (7) AN APPROVED MEMBRANE OR MATERIAL SHALL BE PLACED BETWEEN ALL DISSIMILAR METALS TO CONTROL GALVANIC CORROSION.
- (8) IF EXACT WINDOW SIZE IS NOT LISTED IN ANCHOR CHART, USE THE NEXT SIZE LARGER WINDOW FOR ANCHOR QUANTITY.
- (9) ALL INSTALLATION ANCHORS MUST BE MADE OF A CORROSION RESISTANT MATERIAL OR COATING.
- (10) SEE SHEETS 1 (GENERAL NOTES) FOR DESIGN PRESSURES AND ANCHOR QUANTITIES.

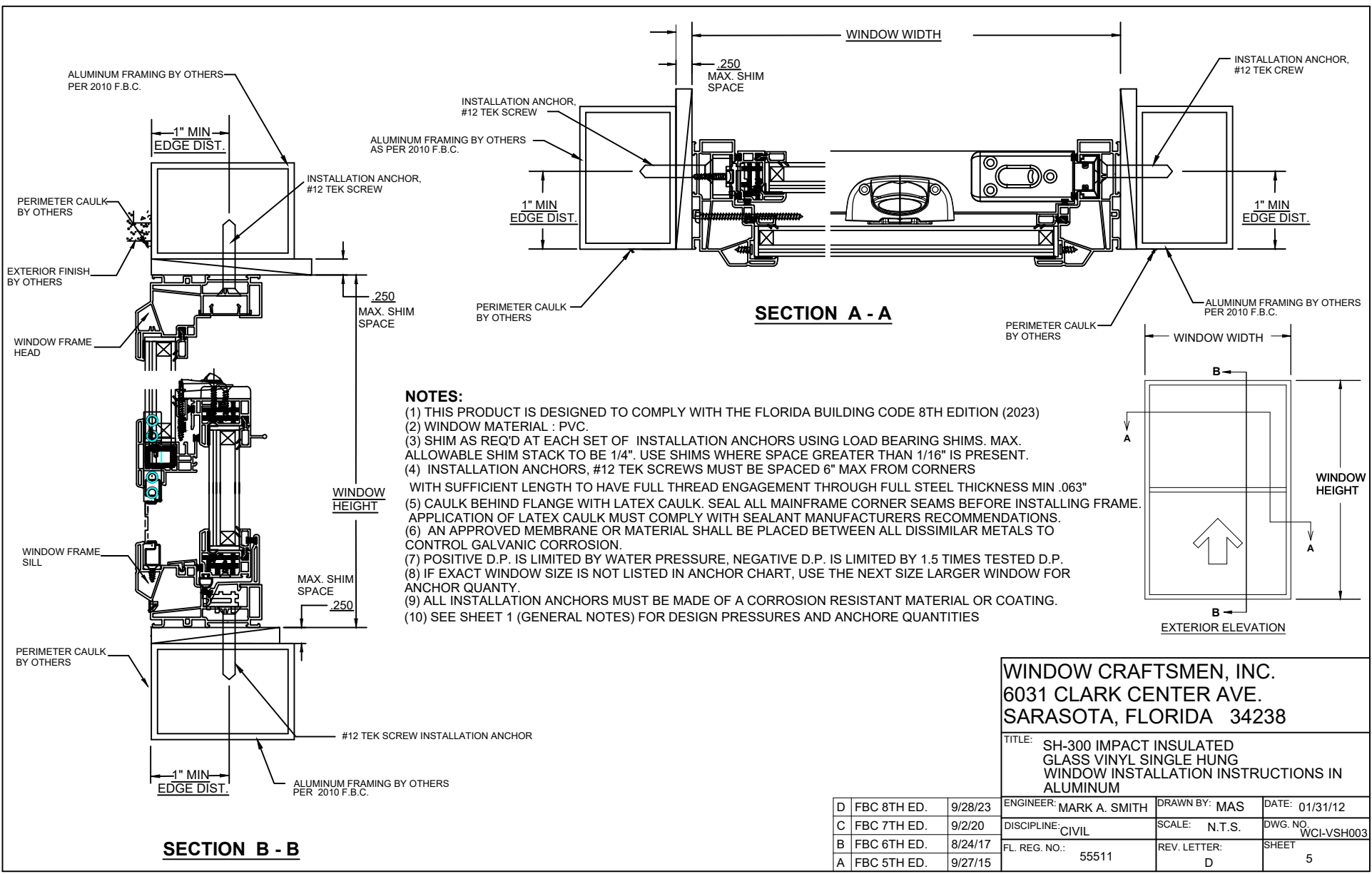


**SECTION B - B**

**WINDOW CRAFTSMEN, INC.**  
 6031 CLARK CENTER AVE.  
 SARASOTA, FLORIDA 34238

TITLE: SH-300 IMPACT INSULATED  
 GLASS VINYL SINGLE HUNG  
 WINDOW INSTALLATION INSTRUCTIONS IN  
 MASONRY

D	FBC 7TH ED.	9/2/20	ENGINEER: MARK A. SMITH	DRAWN BY: MAS	DATE: 01/31/12
C	FBC 7TH ED.	9/2/20	DISCIPLINE: CIVIL	SCALE: N.T.S.	DWG. NO. WCI-VSH003
B	FBC 6TH ED.	8/24/17	FL. REG. NO.: 55511	REV. LETTER: D	SHEET 4
A	FBC 5TH ED.	9/27/15			



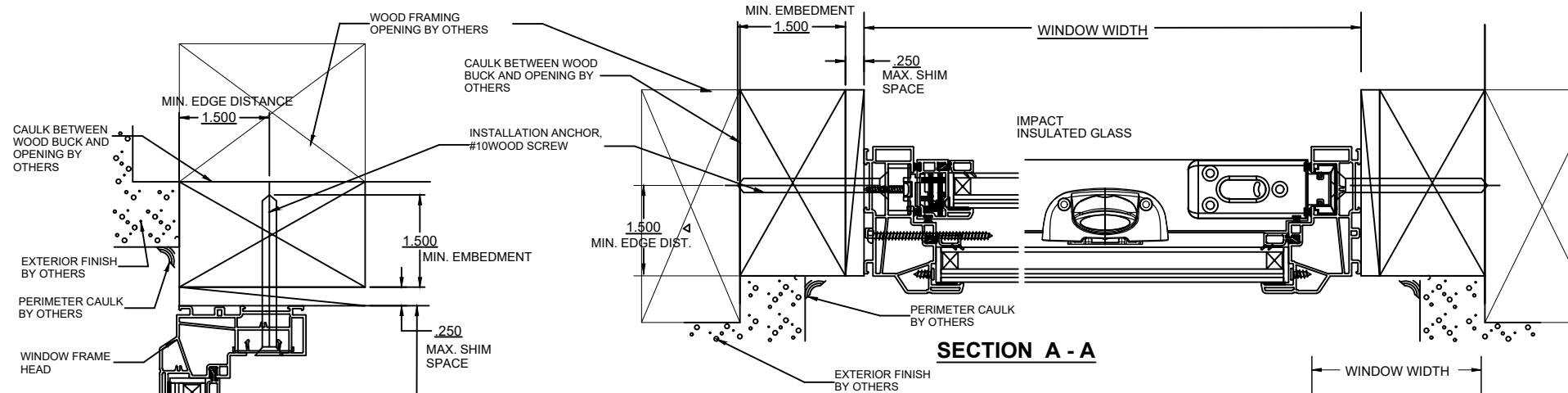
**NOTES:**

- (1) THIS PRODUCT IS DESIGNED TO COMPLY WITH THE FLORIDA BUILDING CODE 8TH EDITION (2023)
- (2) WINDOW MATERIAL : PVC.
- (3) SHIM AS REQ'D AT EACH SET OF INSTALLATION ANCHORS USING LOAD BEARING SHIMS. MAX. ALLOWABLE SHIM STACK TO BE 1/4". USE SHIMS WHERE SPACE GREATER THAN 1/16" IS PRESENT.
- (4) INSTALLATION ANCHORS, #12 TEK SCREWS MUST BE SPACED 6" MAX FROM CORNERS WITH SUFFICIENT LENGTH TO HAVE FULL THREAD ENGAGEMENT THROUGH FULL STEEL THICKNESS MIN .063"
- (5) CAULK BEHIND FLANGE WITH LATEX CAULK. SEAL ALL MAINFRAME CORNER SEAMS BEFORE INSTALLING FRAME. APPLICATION OF LATEX CAULK MUST COMPLY WITH SEALANT MANUFACTURERS RECOMMENDATIONS.
- (6) AN APPROVED MEMBRANE OR MATERIAL SHALL BE PLACED BETWEEN ALL DISSIMILAR METALS TO CONTROL GALVANIC CORROSION.
- (7) POSITIVE D.P. IS LIMITED BY WATER PRESSURE. NEGATIVE D.P. IS LIMITED BY 1.5 TIMES TESTED D.P.
- (8) IF EXACT WINDOW SIZE IS NOT LISTED IN ANCHOR CHART, USE THE NEXT SIZE LARGER WINDOW FOR ANCHOR QUANTY.
- (9) ALL INSTALLATION ANCHORS MUST BE MADE OF A CORROSION RESISTANT MATERIAL OR COATING.
- (10) SEE SHEET 1 (GENERAL NOTES) FOR DESIGN PRESSURES AND ANCHORE QUANTITIES

**WINDOW CRAFTSMEN, INC.**  
 6031 CLARK CENTER AVE.  
 SARASOTA, FLORIDA 34238

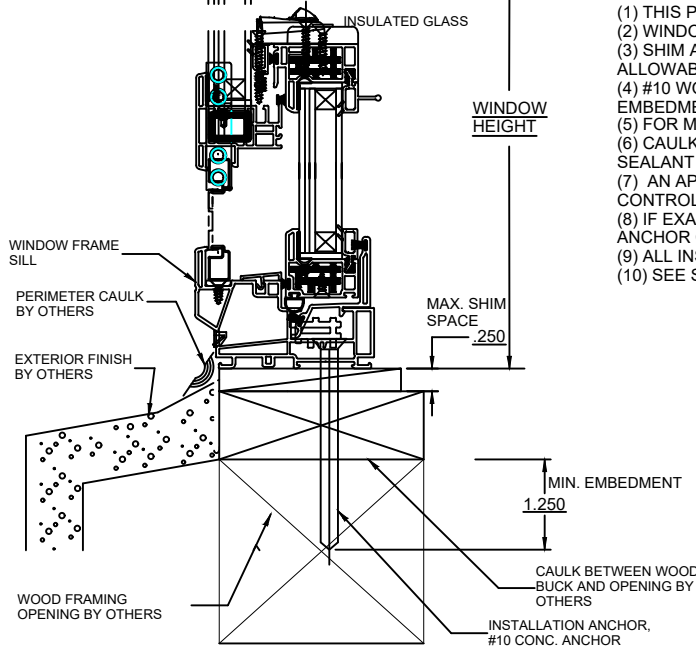
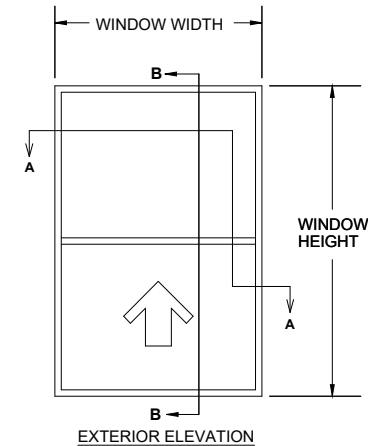
TITLE: SH-300 IMPACT INSULATED  
 GLASS VINYL SINGLE HUNG  
 WINDOW INSTALLATION INSTRUCTIONS IN  
 ALUMINUM

D	FBC 8TH ED.	9/28/23	ENGINEER: MARK A. SMITH	DRAWN BY: MAS	DATE: 01/31/12
C	FBC 7TH ED.	9/2/20	DISCIPLINE: CIVIL	SCALE: N.T.S.	DWG. NO. WCI-VSH003
B	FBC 6TH ED.	8/24/17	FL. REG. NO.: 55511	REV. LETTER: D	SHEET 5
A	FBC 5TH ED.	9/27/15			



**NOTES:**

- (1) THIS PRODUCT IS DESIGNED TO COMPLY WITH THE FLORIDA BUILDING CODE 8TH EDITION (2023).
- (2) WINDOW MATERIAL : PVC.
- (3) SHIM AS REQ'D AT EACH SET OF INSTALLATION ANCHORS USING LOAD BEARING SHIMS. MAX. ALLOWABLE SHIM STACK TO BE 1/4". USE SHIMS WHERE SPACE GREATER THAN 1/16" IS PRESENT.
- (4) #10 WOOD SCREW ANCHORS MUST BE OF SUFFICIENT LENGTH TO ACHIEVE A MIN. EMBEDMENT OF 1 1/2" INTO 2 X WOOD BUCK
- (5) FOR MAX. ALLOWABLE SPACING OF #10 WOOD SCREWS SEE SHEET 1.
- (6) CAULK BEHIND FLANGE WITH LATEX CAULK. APPLICATION OF LATEX CAULK MUST COMPLY WITH SEALANT MANUFACTURERS RECOMMENDATIONS.
- (7) AN APPROVED MEMBRANE OR MATERIAL SHALL BE PLACED BETWEEN ALL DISSIMILAR METALS TO CONTROL GALVANIC CORROSION.
- (8) IF EXACT WINDOW SIZE IS NOT LISTED IN ANCHOR CHART, USE THE NEXT SIZE LARGER WINDOW FOR ANCHOR QUANTITY.
- (9) ALL INSTALLATION ANCHORS MUST BE MADE OF A CORROSION RESISTANT MATERIAL OR COATING.
- (10) SEE SHEET 1 (GENERAL NOTES) FOR DESIGN PRESSURES AND ANCHOR QUANTITIES.



**SECTION B - B**

**WINDOW CRAFTSMEN, INC.**  
**6031 CLARK CENTER AVE.**  
**SARASOTA, FLORIDA 34238**

TITLE: SH-300 IMPACT INSULATED  
 GLASS VINYL SINGLE HUNG  
 WINDOW INSTALLATION INSTRUCTIONS FOR  
 MASONRY WITH 2 BY WOOD BUCK

ENGINEER: MARK A. SMITH	DRAWN BY: MAS	DATE: 01/31/12
DISCIPLINE: CIVIL	SCALE: N.T.S.	DWG. NO. WCL-VSH003
FL. REG. NO.: 55511	REV. LETTER: B	SHEET 6

B FBC 8TH ED.	9/28/23
A ADDED SHEET.	9/20/21