

SH-201 INSULATED GLASS 75 DP

ANCHOR TABLE

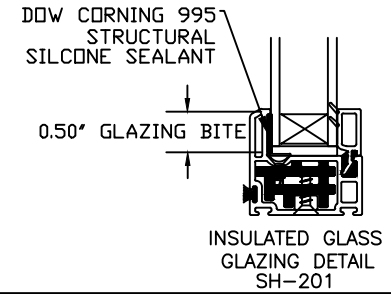
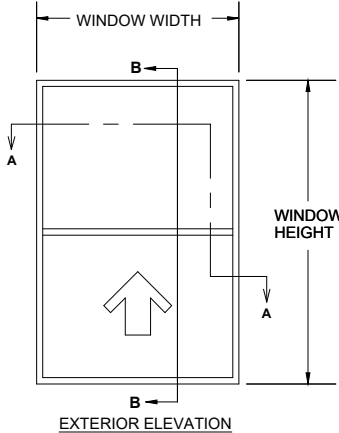
Window Width.	Window Height	Number of Anchors		Design Pressure Neg.	Design Pressure Pos.
		Across Head & Sill	Across Jamb		
24.000	36.000	2	3	-75.00	+75.00
24.000	48.000	2	4	-75.00	+75.00
24.000	60.000	2	5	-75.00	+75.00
24.000	72.000	2	6	-75.00	+75.00
24.000	75.000	2	6	-75.00	+75.00
36.000	36.000	3	3	-75.00	+75.00
36.000	48.000	3	4	-75.00	+75.00
36.000	60.000	3	5	-75.00	+75.00
36.000	72.000	3	6	-75.00	+75.00
36.000	75.000	3	6	-75.00	+75.00
44.000	36.000	4	3	-75.00	+75.00
44.000	48.000	4	4	-75.00	+75.00
44.000	60.000	4	5	-75.00	+75.00
44.000	72.000	4	6	-75.00	+75.00
44.000	75.000	4	6	-75.00	+75.00
53.000	36.000	4	3	-75.00	+75.00
53.000	48.000	4	4	-75.00	+75.00
53.000	60.000	4	5	-75.00	+75.00
53.000	72.000	4	6	-75.00	+75.00
53.000	75.000	4	6	-75.00	+75.00

NOTES:

- (1) THIS PRODUCT IS DESIGNED TO COMPLY WITH THE 8TH EDITION. FLORIDA BUILDING CODE (2023).
- (2) SHIM AS REQ'D AT EACH SET OF INSTALLATION ANCHORS USING LOAD BEARING SHIMS. MAX. ALLOWABLE SHIM STACK TO BE 1/4". USE SHIMS WHERE SPACE GREATER THAN 1/16" IS PRESENT.
- (3) WINDOW MATERIAL : PVC.
- (4) 3/16" DIA. CONCRETE SREW ANCHORS MUST BE OF SUFFICIENT LENGTH TO ACHIEVE A MIN. EMBEDMENT OF 1 1/4" INTO CONCRETE OR MASONRY FOR 1 X WOOD BUCK OR A MIN. EMBEDMENT OF 1 1/4" INTO SOLID WOOD FOR 2 X BUCK OR WOOD FRAMED OPENINGS (GREATER THAN 1 3/8" THICK).
- (5) ALL FACTORY APPLIED HOLES IN FRAME MEMBERS NOT DESIGNATED FOR CONCRETE SCREW ANCHORS SHOULD BE FILLED WITH #10 SCREWS OF SUFFICIENT LENGTH TO ACHIEVE A MIN. EMBEDMENT OF 1-1/2" INTO WOOD BUCK.
- (6) USE LATEX CAULK OR EQUIVALENT FOR PERIMETER SEAL AROUND EXTERIOR OF WINDOW.
- (7) WHEN INSTALLING INTO STEEL OR ALUMINUM, #12 SMS MUST HAVE SUFFICIENT LENGTH SO THAT THERE IS FULL THREAD ENGAGEMENT THROUGH THE METAL.
- (8) IF EXACT WINDOW SIZE IS NOT LISTED IN ANCHOR CHART, USE THE NEXT SIZE LARGER WINDOW FOR ANCHOR QUANTITY.
- (9) GLASS COMPLIES WITH ASTM E-1300 GLASS CHART REQUIREMENTS.
INSULATED GLASS: 1/8" ANNEALED 5/8 AS X 1/8 ANNEALED 7/8 OAT
- (10) ALL INSTALLATION ANCHORS MUST BE MADE OF A CORROSION RESISTANT MATERIAL OR COATING.
- (11) NOT ALL CONFIGURATIONS LISTED ON ANCHOR CHART ARE SHOWN ON THIS DRAWING. HOWEVER, INSTALLATION SECTION A-A & B-B APPLY TO ALL CONFIGURATIONS.

ANCHOR DETAILS

APPLICATION	ANCHOR	EDGE DIST.	MIN. EMBEDMENT	MAX. SHIM SPACE
MASONRY W/1 BY WOOD BUCK	3/16" CONC	2.5"	1.25"	0.25"
MASONRY W/2 BY WOOD BUCK	#10 WOOD	1.5"	1.50"	0.25"
MASONRY	3/16" CONC	2.5"	1.25"	0.25"
METAL	#12 SMS	0.75"	.045" (THICK)	0.25"
2 BY WOOD FRAMING BUCK	#10 WOOD	1.5"	1.50"	0.25"



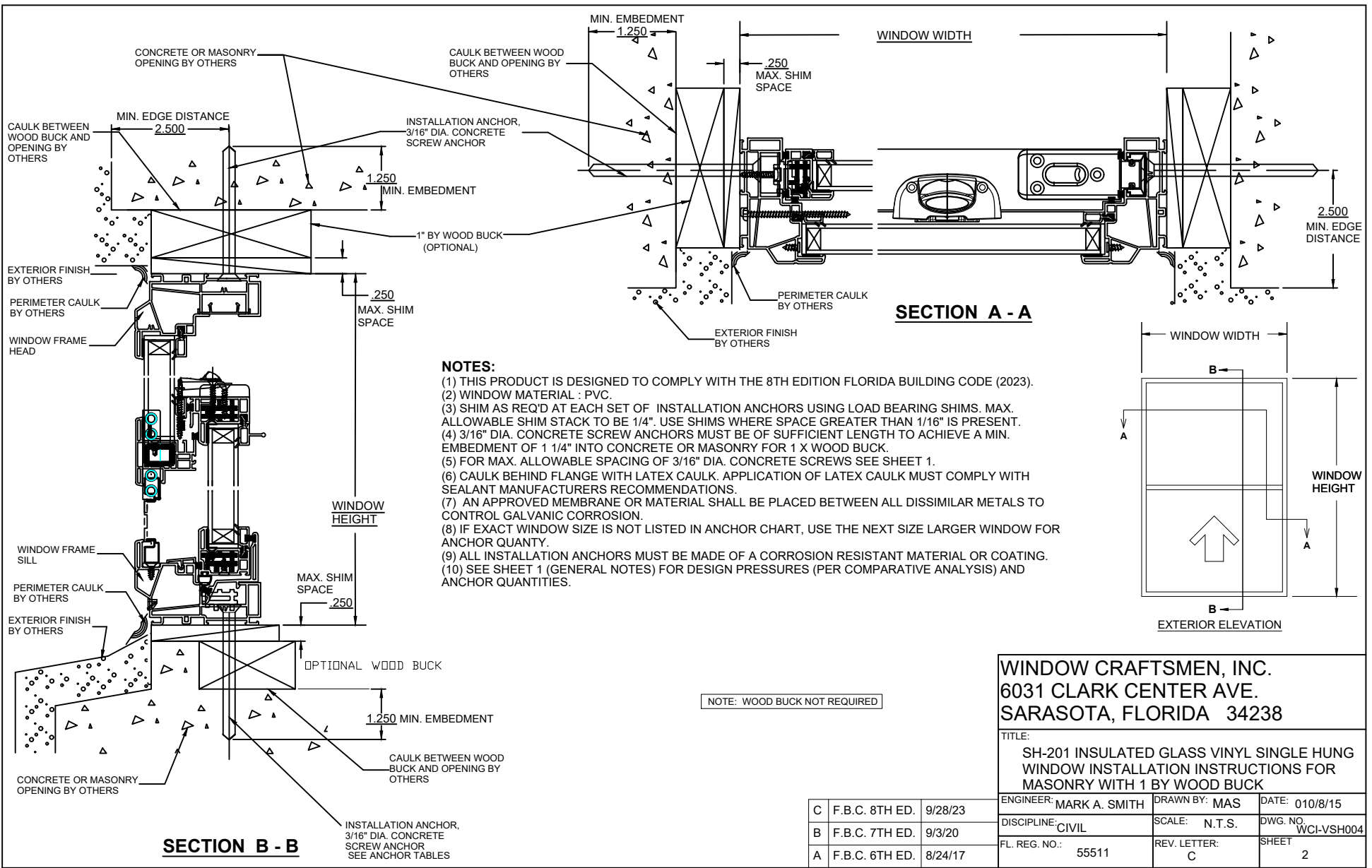
NOTES ON ANCHOR CALCULATIONS:

- (1) CALCULATIONS DERIVED FROM TESTED UNIT
SH-200 TEST REPORT # AIR-INS AI-02982-C NAMI # NI012772
- (2) THE QUANTITY OF ANCHORS ARE FOR EACH SIDE, NOT TOTAL QUANTITY.
- (3) MAX. SPACING AT HEAD CORNER IS 6".
- (4) MAX. SPACING AT JAMB CORNER IS 6".
- (5) MAX. SPACING ACROSS HEAD AND SILL IS 13-11/16".
- (6) MAX. SPACING ACROSS JAMBS IS 12-5/8".

WINDOW CRAFTSMEN, INC.
6031 CLARK CENTER AVE.
SARASOTA, FLORIDA 34238

TITLE: SH-201 INSULATED GLASS VINYL SINGLE HUNG WINDOW INSTALLATION INSTRUCTIONS FOR NOTES AND ANCHOR SPECIFICATIONS		
ENGINEER: MARK A. SMITH	DRAWN BY: MAS	DATE: 10/8/15
DISCIPLINE: CIVIL	SCALE: N.T.S.	DWG. NO. WCL-VSH004
FL. REG. NO.: 55511	REV. LETTER: D	SHEET 1

D	F.B.C. 8TH ED.	9/28/23
C	WOOD FRAME	9/21/21
B	F.B.C. 7TH ED.	9/3/20
A	F.B.C. 6TH ED.	8/24/17



- NOTES:**
- (1) THIS PRODUCT IS DESIGNED TO COMPLY WITH THE 8TH EDITION FLORIDA BUILDING CODE (2023).
 - (2) WINDOW MATERIAL : PVC.
 - (3) SHIM AS REQ'D AT EACH SET OF INSTALLATION ANCHORS USING LOAD BEARING SHIMS. MAX. ALLOWABLE SHIM STACK TO BE 1/4". USE SHIMS WHERE SPACE GREATER THAN 1/16" IS PRESENT.
 - (4) 3/16" DIA. CONCRETE SCREW ANCHORS MUST BE OF SUFFICIENT LENGTH TO ACHIEVE A MIN. EMBEDMENT OF 1 1/4" INTO CONCRETE OR MASONRY FOR 1 X WOOD BUCK.
 - (5) FOR MAX. ALLOWABLE SPACING OF 3/16" DIA. CONCRETE SCREWS SEE SHEET 1.
 - (6) CAULK BEHIND FLANGE WITH LATEX CAULK. APPLICATION OF LATEX CAULK MUST COMPLY WITH SEALANT MANUFACTURERS RECOMMENDATIONS.
 - (7) AN APPROVED MEMBRANE OR MATERIAL SHALL BE PLACED BETWEEN ALL DISSIMILAR METALS TO CONTROL GALVANIC CORROSION.
 - (8) IF EXACT WINDOW SIZE IS NOT LISTED IN ANCHOR CHART, USE THE NEXT SIZE LARGER WINDOW FOR ANCHOR QUANTITY.
 - (9) ALL INSTALLATION ANCHORS MUST BE MADE OF A CORROSION RESISTANT MATERIAL OR COATING.
 - (10) SEE SHEET 1 (GENERAL NOTES) FOR DESIGN PRESSURES (PER COMPARATIVE ANALYSIS) AND ANCHOR QUANTITIES.

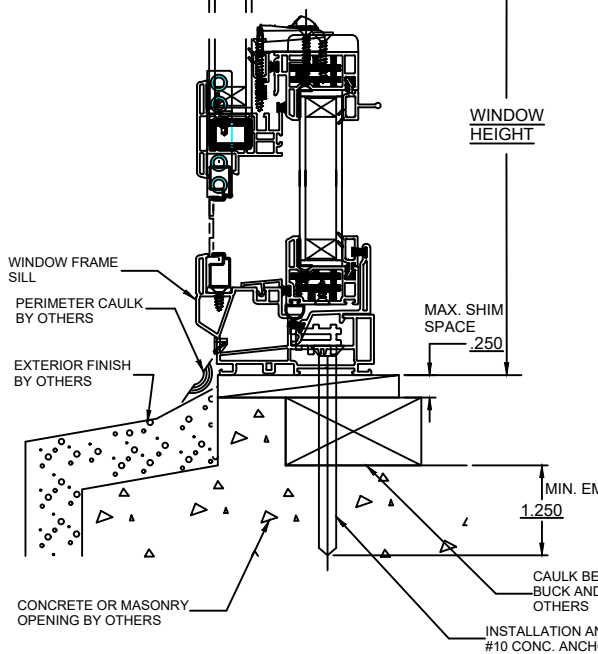
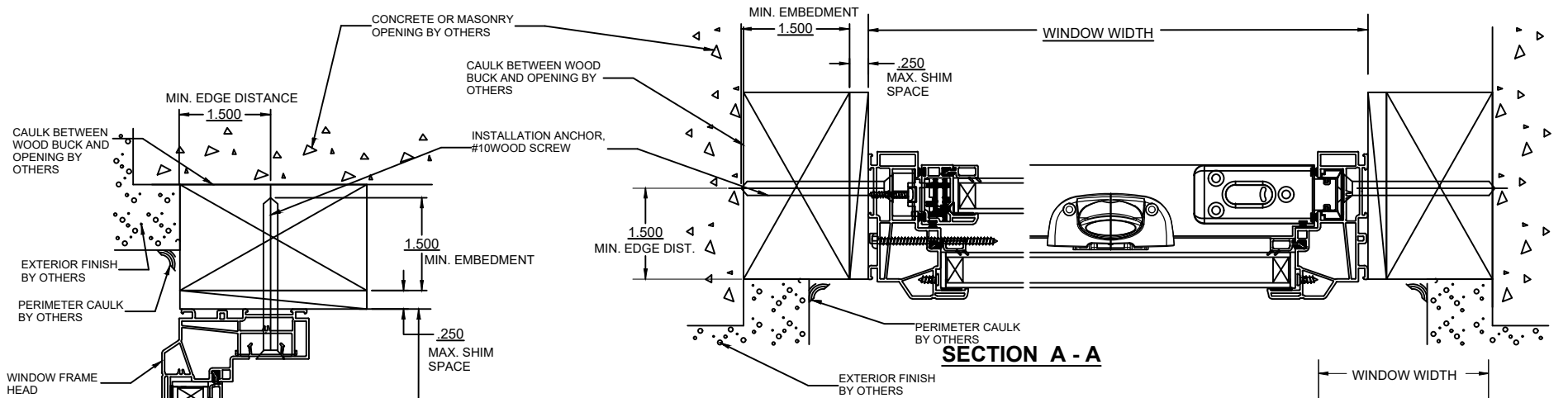
NOTE: WOOD BUCK NOT REQUIRED

WINDOW CRAFTSMEN, INC.
 6031 CLARK CENTER AVE.
 SARASOTA, FLORIDA 34238

TITLE:
 SH-201 INSULATED GLASS VINYL SINGLE HUNG WINDOW INSTALLATION INSTRUCTIONS FOR MASONRY WITH 1 BY WOOD BUCK

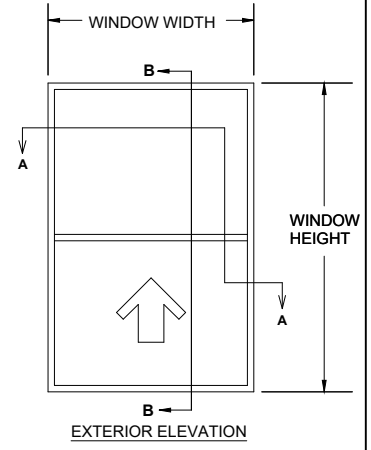
ENGINEER: MARK A. SMITH	DRAWN BY: MAS	DATE: 010/8/15
DISCIPLINE: CIVIL	SCALE: N.T.S.	DWG. NO. WCI-VSH004
FL. REG. NO.: 55511	REV. LETTER: C	SHEET 2

C	F.B.C. 8TH ED.	9/28/23
B	F.B.C. 7TH ED.	9/3/20
A	F.B.C. 6TH ED.	8/24/17



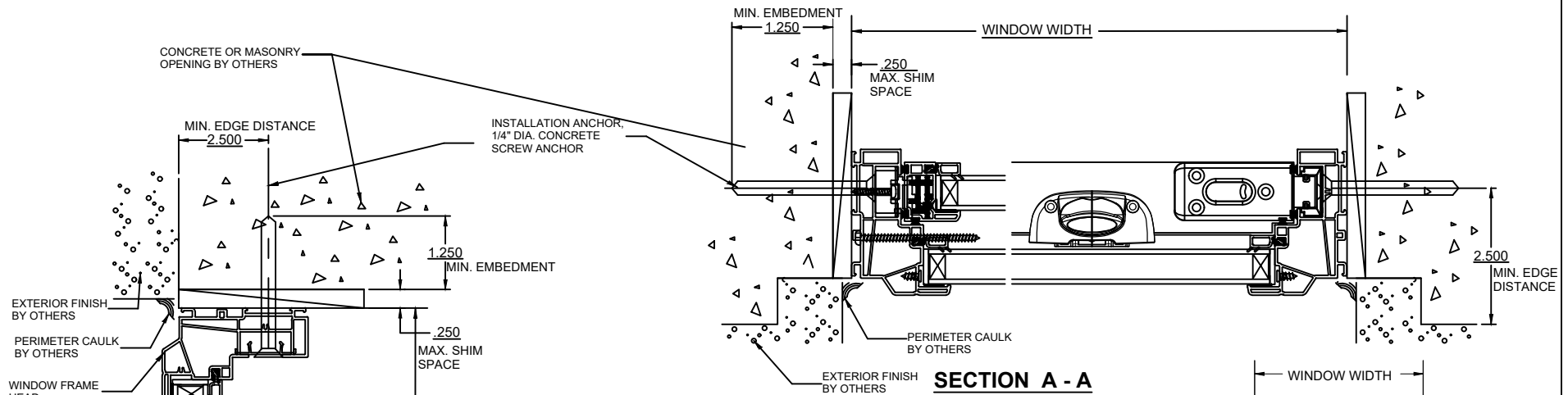
NOTES:

- (1) THIS PRODUCT IS DESIGNED TO COMPLY WITH THE 8TH EDITION FLORIDA BUILDING CODE (2023).
- (2) WINDOW MATERIAL : PVC.
- (3) SHIM AS REQ'D AT EACH SET OF INSTALLATION ANCHORS USING LOAD BEARING SHIMS. MAX. ALLOWABLE SHIM STACK TO BE 1/4". USE SHIMS WHERE SPACE GREATER THAN 1/16" IS PRESENT.
- (4) #10 WOOD SCREW ANCHORS MUST BE OF SUFFICIENT LENGTH TO ACHIEVE A MIN. EMBEDMENT OF 1 1/2" INTO 2 X WOOD BUCK.
- (5) FOR MAX. ALLOWABLE SPACING OF #10 WOOD SCREWS SEE SHEET 1.
- (6) CAULK BEHIND FLANGE WITH LATEX CAULK. APPLICATION OF LATEX CAULK MUST COMPLY WITH SEALANT MANUFACTURERS RECOMMENDATIONS.
- (7) AN APPROVED MEMBRANE OR MATERIAL SHALL BE PLACED BETWEEN ALL DISSIMILAR METALS TO CONTROL GALVANIC CORROSION.
- (8) IF EXACT WINDOW SIZE IS NOT LISTED IN ANCHOR CHART, USE THE NEXT SIZE LARGER WINDOW FOR ANCHOR QUANTITY.
- (9) ALL INSTALLATION ANCHORS MUST BE MADE OF A CORROSION RESISTANT MATERIAL OR COATING.
- (10) SEE SHEET 1 (GENERAL NOTES) FOR DESIGN PRESSURES AND ANCHOR QUANTITIES.



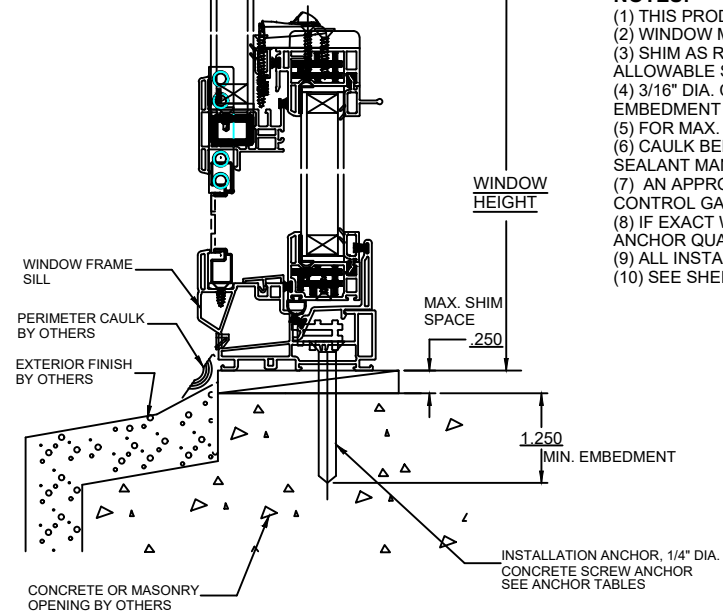
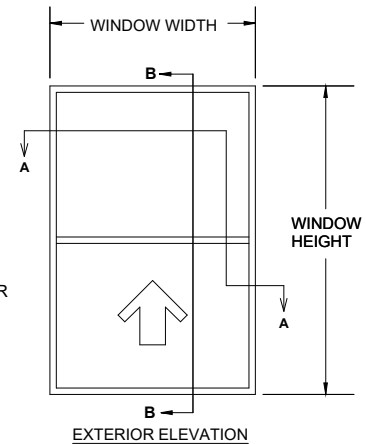
WINDOW CRAFTSMEN, INC.			
6031 CLARK CENTER AVE.			
SARASOTA, FLORIDA 34238			
TITLE: SH-201 INSULATED GLASS VINYL SINGLE HUNG WINDOW INSTALLATION INSTRUCTIONS FOR MASONRY WITH 2 BY WOOD BUCK			
ENGINEER: MARK A. SMITH	DRAWN BY: MAS	DATE: 10/8/15	
DISCIPLINE: CIVIL	SCALE: N.T.S.	DWG. NO. WCI-VSH004	
FL. REG. NO.: 55511	REV. LETTER: C	SHEET	3

C	F.B.C. 8TH ED.	9/28/23
B	F.B.C. 7TH ED.	9/3/20
A	F.B.C. 6TH ED.	8/24/17



NOTES:

- (1) THIS PRODUCT IS DESIGNED TO COMPLY WITH THE 8TH EDITION FLORIDA BUILDING CODE (2023).
- (2) WINDOW MATERIAL : PVC.
- (3) SHIM AS REQ'D AT EACH SET OF INSTALLATION ANCHORS USING LOAD BEARING SHIMS. MAX. ALLOWABLE SHIM STACK TO BE 1/4". USE SHIMS WHERE SPACE GREATER THAN 1/16" IS PRESENT.
- (4) 3/16" DIA. CONCRETE SCREW ANCHORS MUST BE OF SUFFICIENT LENGTH TO ACHIEVE A MIN. EMBEDMENT OF 1 1/4" INTO CONCRETE OR MASONRY FOR 1 X WOOD BUCK.
- (5) FOR MAX. ALLOWABLE SPACING OF 3/16" DIA. CONCRETE SCREWS SEE SHEET 1.
- (6) CAULK BEHIND FLANGE WITH LATEX CAULK. APPLICATION OF LATEX CAULK MUST COMPLY WITH SEALANT MANUFACTURERS RECOMMENDATIONS.
- (7) AN APPROVED MEMBRANE OR MATERIAL SHALL BE PLACED BETWEEN ALL DISSIMILAR METALS TO CONTROL GALVANIC CORROSION.
- (8) IF EXACT WINDOW SIZE IS NOT LISTED IN ANCHOR CHART, USE THE NEXT SIZE LARGER WINDOW FOR ANCHOR QUANTITY.
- (9) ALL INSTALLATION ANCHORS MUST BE MADE OF A CORROSION RESISTANT MATERIAL OR COATING.
- (10) SEE SHEET 1 (GENERAL NOTES) FOR DESIGN PRESSURES AND ANCHOR QUANTITIES.

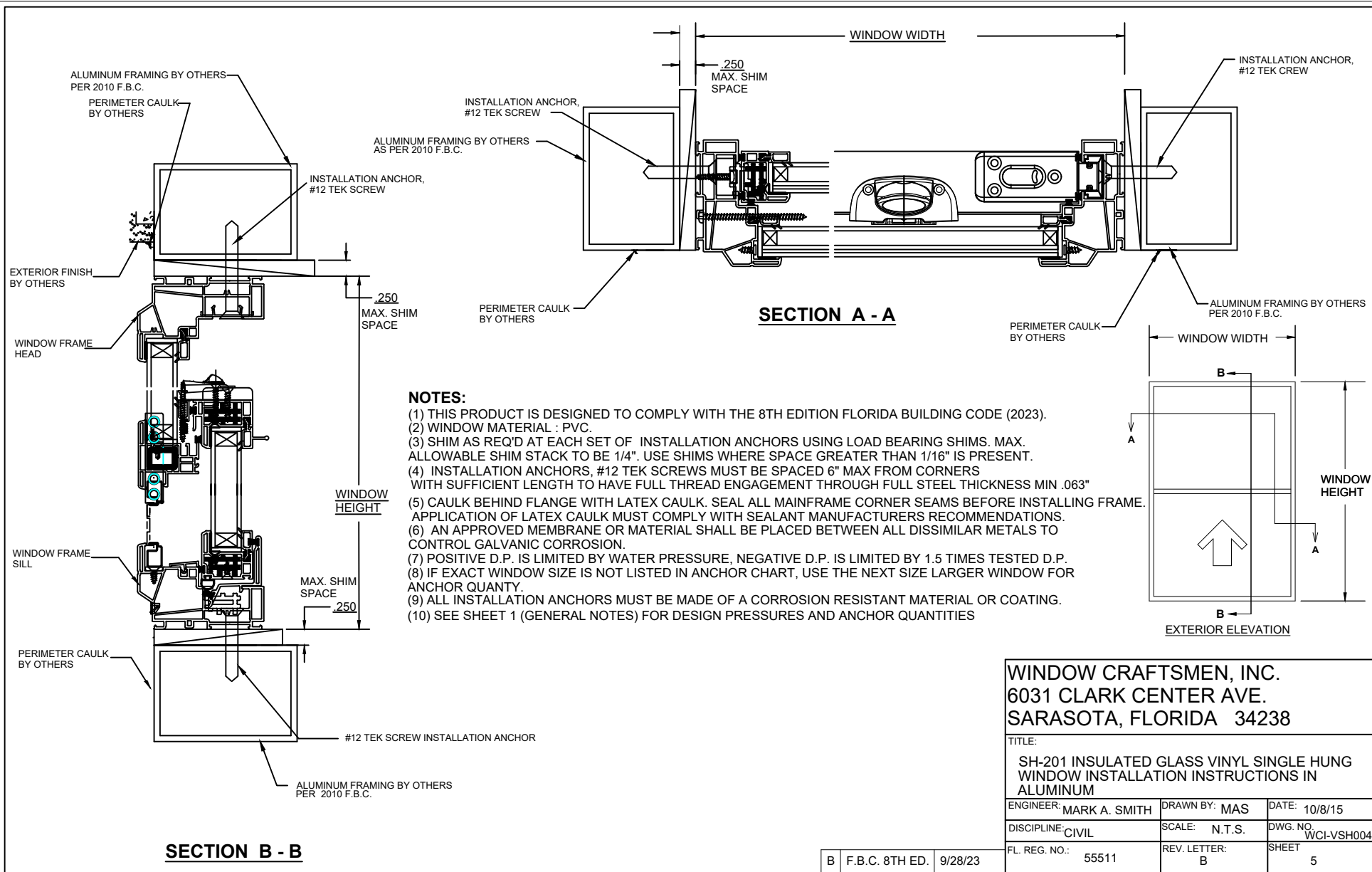


SECTION B - B

WINDOW CRAFTSMEN, INC.
6031 CLARK CENTER AVE.
SARASOTA, FLORIDA 34238

TITLE:
SH-201 INSULATED GLASS VINYL SINGLE HUNG WINDOW INSTALLATION INSTRUCTIONS IN MASONRY

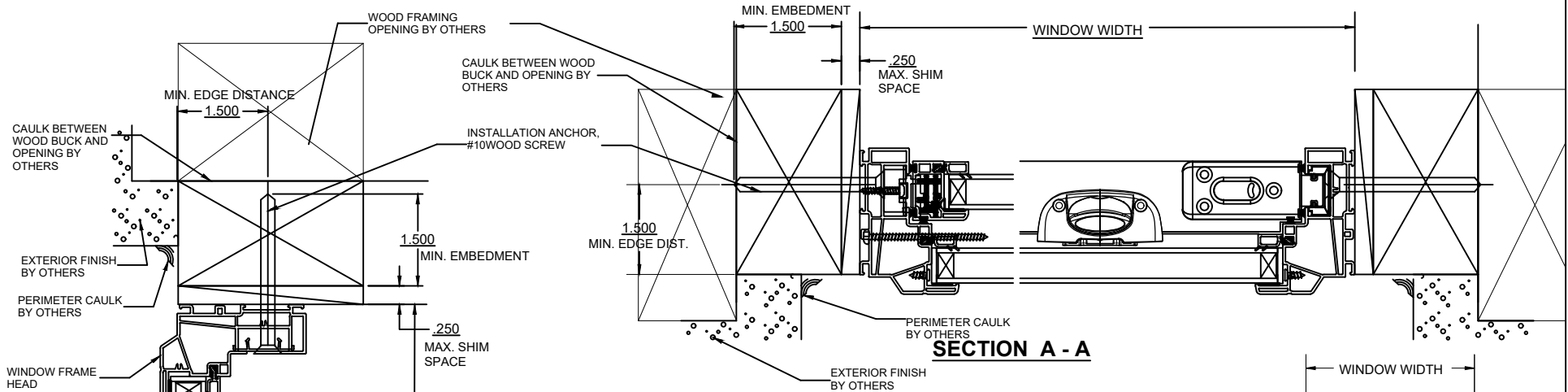
C	F.B.C. 8TH ED.	9/28/23	ENGINEER: MARK A. SMITH	DRAWN BY: MAS	DATE: 10/8/15
B	F.B.C. 7TH ED.	9/3/20	DISCIPLINE: CIVIL	SCALE: N.T.S.	DWG. NO. WCI-VSH004
A	F.B.C. 6TH ED.	8/24/17	FL. REG. NO.: 55511	REV. LETTER: C	SHEET 4



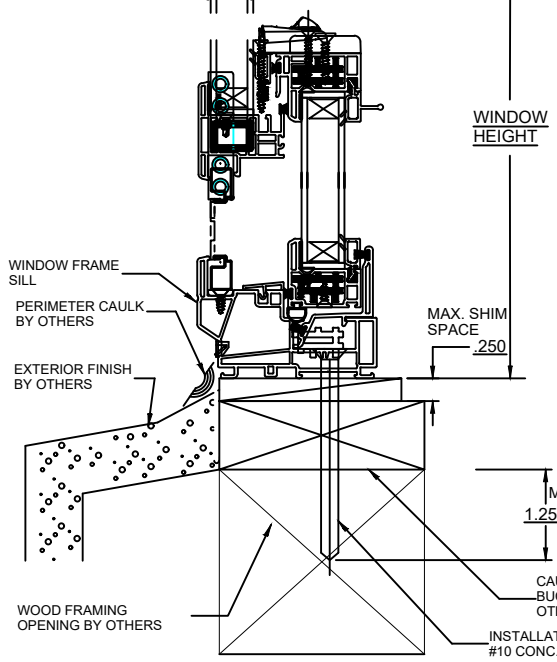
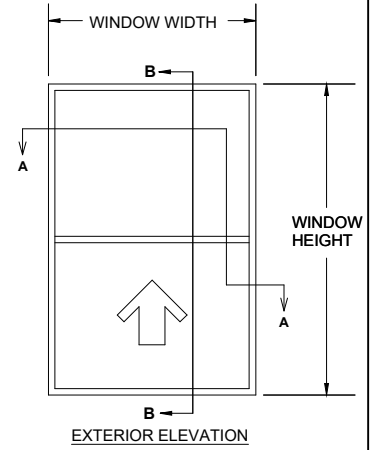
- NOTES:**
- (1) THIS PRODUCT IS DESIGNED TO COMPLY WITH THE 8TH EDITION FLORIDA BUILDING CODE (2023).
 - (2) WINDOW MATERIAL : PVC.
 - (3) SHIM AS REQ'D AT EACH SET OF INSTALLATION ANCHORS USING LOAD BEARING SHIMS. MAX. ALLOWABLE SHIM STACK TO BE 1/4". USE SHIMS WHERE SPACE GREATER THAN 1/16" IS PRESENT.
 - (4) INSTALLATION ANCHORS, #12 TEK SCREWS MUST BE SPACED 6" MAX FROM CORNERS WITH SUFFICIENT LENGTH TO HAVE FULL THREAD ENGAGEMENT THROUGH FULL STEEL THICKNESS MIN .063"
 - (5) CAULK BEHIND FLANGE WITH LATEX CAULK. SEAL ALL MAINFRAME CORNER SEAMS BEFORE INSTALLING FRAME. APPLICATION OF LATEX CAULK MUST COMPLY WITH SEALANT MANUFACTURERS RECOMMENDATIONS.
 - (6) AN APPROVED MEMBRANE OR MATERIAL SHALL BE PLACED BETWEEN ALL DISSIMILAR METALS TO CONTROL GALVANIC CORROSION.
 - (7) POSITIVE D.P. IS LIMITED BY WATER PRESSURE, NEGATIVE D.P. IS LIMITED BY 1.5 TIMES TESTED D.P.
 - (8) IF EXACT WINDOW SIZE IS NOT LISTED IN ANCHOR CHART, USE THE NEXT SIZE LARGER WINDOW FOR ANCHOR QUANTITY.
 - (9) ALL INSTALLATION ANCHORS MUST BE MADE OF A CORROSION RESISTANT MATERIAL OR COATING.
 - (10) SEE SHEET 1 (GENERAL NOTES) FOR DESIGN PRESSURES AND ANCHOR QUANTITIES

WINDOW CRAFTSMEN, INC. 6031 CLARK CENTER AVE. SARASOTA, FLORIDA 34238		
TITLE: SH-201 INSULATED GLASS VINYL SINGLE HUNG WINDOW INSTALLATION INSTRUCTIONS IN ALUMINUM		
ENGINEER: MARK A. SMITH	DRAWN BY: MAS	DATE: 10/8/15
DISCIPLINE: CIVIL	SCALE: N.T.S.	DWG. NO. WCI-VSH004
FL. REG. NO.: 55511	REV. LETTER: B	SHEET 5

B	F.B.C. 8TH ED.	9/28/23
---	----------------	---------



- NOTES:**
- (1) THIS PRODUCT IS DESIGNED TO COMPLY WITH THE 8TH EDITION FLORIDA BUILDING CODE (2023).
 - (2) WINDOW MATERIAL : PVC.
 - (3) SHIM AS REQ'D AT EACH SET OF INSTALLATION ANCHORS USING LOAD BEARING SHIMS. MAX. ALLOWABLE SHIM STACK TO BE 1/4". USE SHIMS WHERE SPACE GREATER THAN 1/16" IS PRESENT.
 - (4) #10 WOOD SCREW ANCHORS MUST BE OF SUFFICIENT LENGTH TO ACHIEVE A MIN. EMBEDMENT OF 1 1/2" INTO 2 X WOOD BUCK
 - (5) FOR MAX. ALLOWABLE SPACING OF #10 WOOD SCREWS SEE SHEET 1.
 - (6) CAULK BEHIND FLANGE WITH LATEX CAULK. APPLICATION OF LATEX CAULK MUST COMPLY WITH SEALANT MANUFACTURERS RECOMMENDATIONS.
 - (7) AN APPROVED MEMBRANE OR MATERIAL SHALL BE PLACED BETWEEN ALL DISSIMILAR METALS TO CONTROL GALVANIC CORROSION.
 - (8) IF EXACT WINDOW SIZE IS NOT LISTED IN ANCHOR CHART, USE THE NEXT SIZE LARGER WINDOW FOR ANCHOR QUANTY.
 - (9) ALL INSTALLATION ANCHORS MUST BE MADE OF A CORROSION RESISTANT MATERIAL OR COATING.
 - (10) SEE SHEET 1 (GENERAL NOTES) FOR DESIGN PRESSURES AND ANCHOR QUANTITIES.



SECTION B - B

WINDOW CRAFTSMEN, INC.		
6031 CLARK CENTER AVE.		
SARASOTA, FLORIDA 34238		
TITLE: SH-201 INSULATED GLASS VINYL SINGLE HUNG WINDOW INSTALLATION INSTRUCTIONS FOR MASONRY WITH 2 BY WOOD BUCK		
ENGINEER: MARK A. SMITH	DRAWN BY: MAS	DATE: 10/8/15
DISCIPLINE: CIVIL	SCALE: N.T.S.	DWG. NO. WCI-VSH004
FL. REG. NO.: 55511	REV. LETTER: B	SHEET 6

B F.B.C. 8TH ED.	9/28/23
A ADDED SHEET.	9/20/21