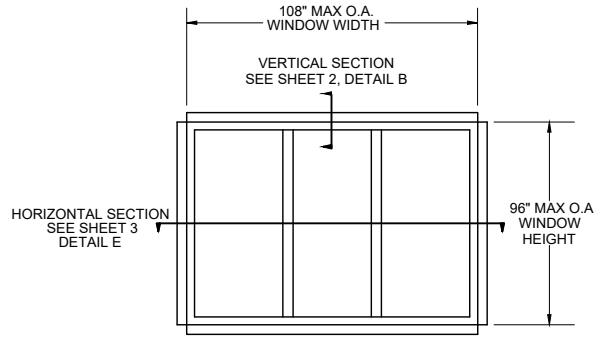


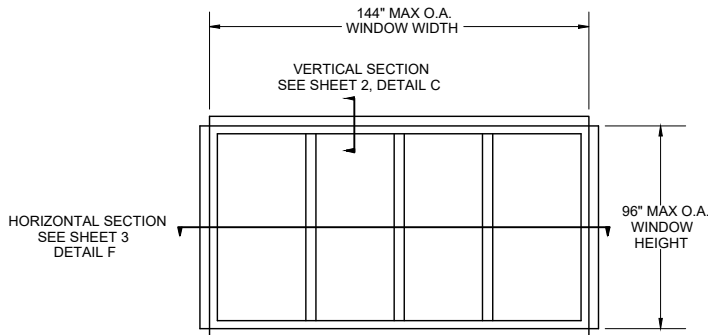
ELEVATION - 2 TRACK

(EXTERIOR)



ELEVATION - 3 TRACK

(EXTERIOR)



ELEVATION - 4 TRACK

(EXTERIOR)

NOTES:

1. THE PRODUCT SHOWN HEREIN IS DESIGNED AND MANUFACTURED TO COMPLY WITH THE FLORIDA BUILDING CODE 7TH EDITION (2020).
2. ENCLOSURE TO BE DESIGNED AND ANCHORED TO PROPERLY TRANSFER ALL LOADS TO STRUCTURE. ENCLOSURE IS THE RESPONSIBILITY OF THE ARCHITECT OR ENGINEER OF RECORD.
3. WINDOW VENTS SHALL BE REMOVED WHEN 3 SECOND GUSTS, V3S=75 MPH AS PER SECTION 1622.2.1 OF THE FLORIDA BUILDING CODE. REMOVABLE PANELS SHALL BE IDENTIFIED AS REMOVABLE BY A DECAL. THE IDENTIFICATION DECAL SHALL ESSENTIALLY STATE: " Removable panel shall be removed when wind speeds, exceed 75 mph (34m/s)." DECALS SHALL BE PLACED SUCH THAT THE DECAL IS VISIBLE WHEN THE PANEL IS INSTALLED. CODE DOES NOT DESIGNATE LOCATION OF DECAL.
4. AN APPROVED MEMBRANE OR MATERIAL SHALL BE PLACED BETWEEN ALL DISSIMILAR METALS TO CONTROL GALVANIC CORROSION.
5. WINDOW FRAME AND VENT MATERIAL SHALL BE ALUMINUM ALLOY 6063-T5.
6. USE LATEX CAULK TO SEAL BEHIND FLANGES, BETWEEN COMPONENT SEAMS AND FRAME CORNERS. APPLICATION OF LATEX CAULK MUST COMPLY WITH SEALANT MANUFACTURER'S RECOMMENDATIONS.
7. JAMB/SILL CORNERS AND ALL ANCHORS TO BE SEALED WITH SMALL JOINT SEAM SEALANT
8. #10 SMS SCREWS INSTALLATION ANCHORS MUST BE SPACED AS FOLLOW:
HEAD AND SILL: 6" MAX. FROM CORNERS AND SPACED 19" MAX. O.C.
SIDE JAMBS : 6" MAX. FROM CORNERS AND SPACED 17" MAX. O.C.
9. SECTION 1622.1, SCREEN ENCLOSURES FOR HVHZ.
ALLOW THE USE OF VINYL, POLYCARBONATE AND ACRYLIC.
10. #8 SCREWS CAN BE USED IN SILL WITH MAX 12" SPACING.

DESIGN PRESSURE RATING: ±9.6PSF
TESTED TO 14.4PSF WHICH IS EQUIVALENT TO 75MPH.
REFERENCE TEST REPORT NCTL-210-3119-01

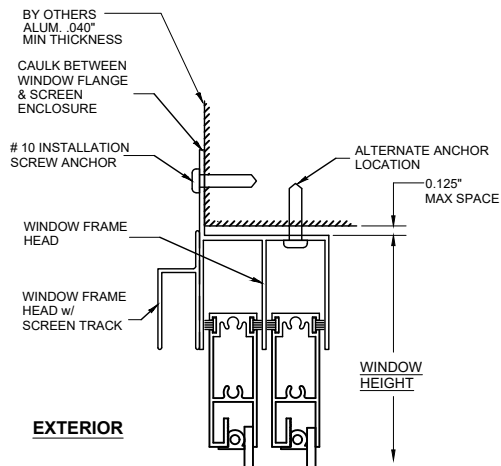
* AS PER LATEST REVISION OF RULE 9B-72, WIND BREAKERS ARE NO LONGER REQUIRED TO BE FBC APPROVED.

REFERENCE 9B-72.010 (31) (b) WIND BREAKERS ARE NO LONGER A SUB CATEGORY

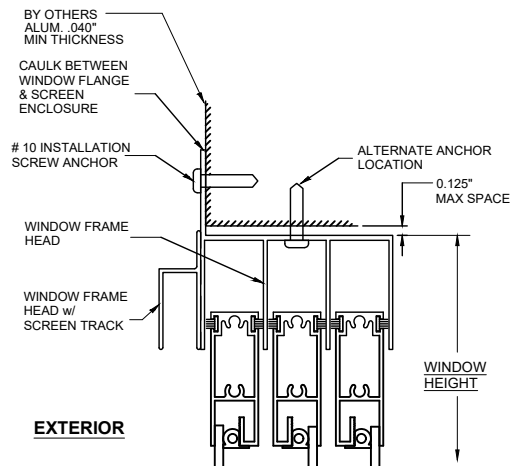
WINDOW CRAFTSMEN, INC.
6031 CLARK CENTER AVE.
SARASOTA, FLORIDA 34238

TITLE: 2, 3, AND 4 TRACK I.S.M. & O.S.M.
HORIZONTAL ACRYLIC WINDBREAKER
2, 3 & 4 PANEL CONFIG. NOTES AND ELEV.

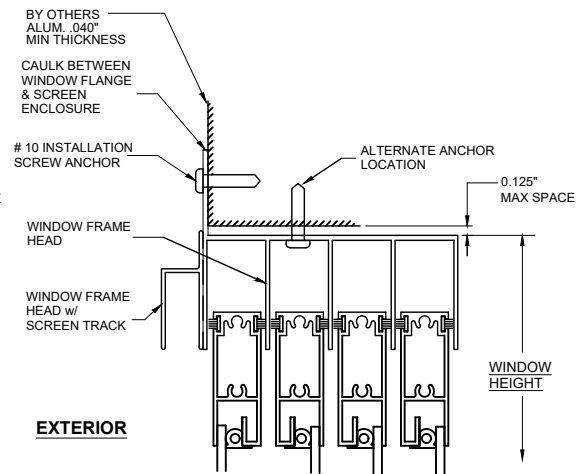
R	F.B.C. 2023	12/11/23	ENGINEER: MARK A. SMITH	DRAWN BY: MAS	DATE: 7/12/15
Q	PANEL DECAL	09/21/22	DISCIPLINE: CIVIL	SCALE: N.T.S.	DWG. NO. WCI-AS001
P	F.B.C. 2020	12/23/20	FL. REG. NO.:	REV. LETTER: R	SHEET
O	F.B.C. 2017	12/18/17	55511	R	1



A
1 **VERTICAL SECTION**
2 TRACK (OUTSIDE MOUNT SHOWN /
INSIDE MOUNT SIMILAR)



B
1 **VERTICAL SECTION**
3 TRACK (OUTSIDE MOUNT SHOWN /
INSIDE MOUNT SIMILAR)

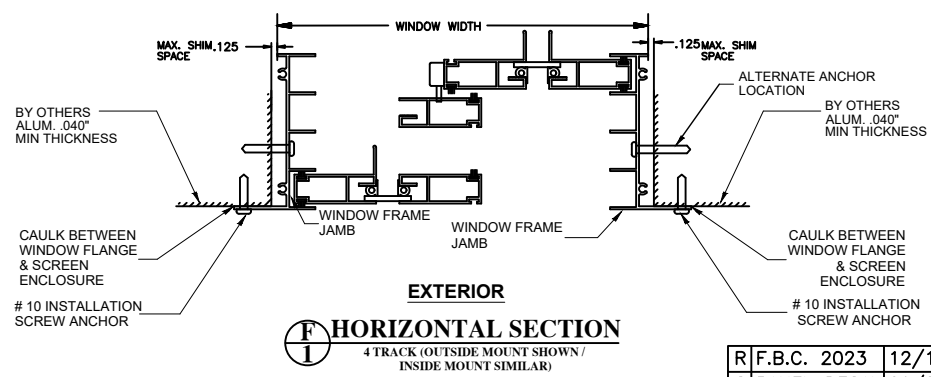
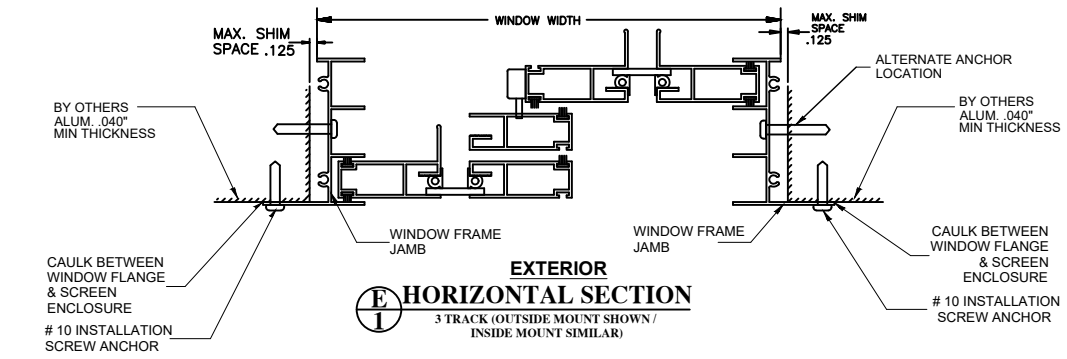
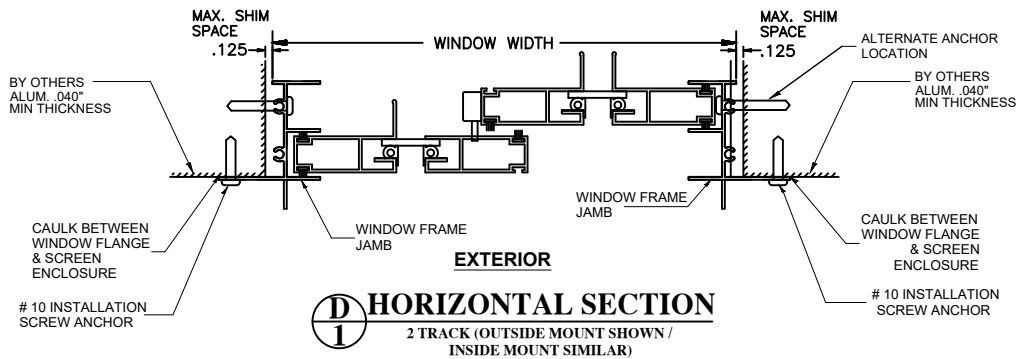


C
1 **VERTICAL SECTION**
4 TRACK (OUTSIDE MOUNT SHOWN /
INSIDE MOUNT SIMILAR)

WINDOW CRAFTSMEN, INC.
6031 CLARK CENTER AVE.
SARASOTA, FLORIDA 34238
TITLE: 2, 3, AND 4 TRACK I.S.M. & O.S.M.
HORIZONTAL ACRYLIC WINDBREAKER
VERTICAL SECTIONS

R	F.B.C. 2023	12/11/23	ENGINEER: MARK A. SMITH	DRAWN BY: MAS	DATE: 7/12/15
Q	PANEL DECAL	09/21/22	DISCIPLINE: CIVIL	SCALE: N.T.S.	DWG. NO. WCI-AS001
P	F.B.C. 2017	12/23/20	FL. REG. NO.:	REV. LETTER: R	SHEET
O	F.B.C. 2017	12/18/17	55511		2

PREPARED BY MARK SMITH, P.E. 3738 KINGSWOOD DRIVE, SARASOTA, FL 34232 PH. 941-993-9620



WINDOW CRAFTSMEN, INC. 6031 CLARK CENTER AVE. SARASOTA, FLORIDA 34238		
TITLE: 2, 3 & 4 TRACK I.S.M. & O.S.M. HORIZONTAL ACRYLIC WINDBREAKER HORIZONTAL SECTIONS		
R/F.B.C. 2023	12/11/23	ENGINEER: MARK A. SMITH
Q/PANEL DECAL	09/21/22	DISCIPLINE: CIVIL
P/F.B.C. 2020	12/23/20	SCALE: N.T.S.
O/F.B.C. 2017	12/18/17	FL. REG. NO.: 55511
		REV. LETTER: R
		DATE: 7/12/15
		DWG. NO. WCI-AS001
		SHEET 3

PREPARED BY MARK SMITH, P.E. 3738 KINGSWOOD DRIVE, SARASOTA, FL 34232 PH. 941-993-9620