

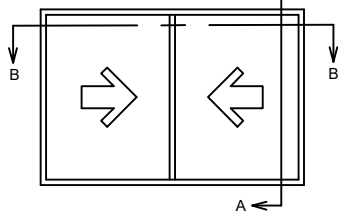
**DESIGN PRESSURE RATING AND ANCHOR CHART**

WINDOW SIZE (INCHES)	PRESSURE CAPACITY IN PSF		QUANTITY OF ANCHORS	
	EXTERIOR	INTERIOR	HD/SILL	JAMBS
30 x 36	+45	-45	3	3
30 x 48	+45	-45	3	4
30 x 60	+45	-45	3	5
30 x 63	+45	-45	3	5
30 x 72	+40	-40	3	6
36 x 36	+45	-45	4	3
36 x 48	+45	-45	4	4
36 x 60	+45	-45	4	5
36 x 63	+45	-45	4	5
36 x 72	+40	-40	4	6
42 x 36	+45	-45	4	3
42 x 48	+45	-45	4	4
42 x 60	+45	-45	4	5
42 x 63	+45	-45	4	5
42 x 72	+40	-40	4	6
48 x 36	+45	-45	5	3
48 x 48	+45	-45	5	4
48 x 60	+45	-45	5	5
48 x 63	+45	-45	5	5
48 x 72	+40	-40	5	6
54 x 36	+45	-45	5	3
54 x 48	+45	-45	5	4
54 x 60	+45	-45	5	5
54 x 63	+45	-45	5	5
54 x 72	+40	-40	5	6
60 x 36	+45	-45	6	3
60 x 48	+45	-45	6	4
60 x 60	+45	-45	6	5
60 x 63	+45	-45	6	5
60 x 72	+40	-40	6	6
66 x 36	+45	-45	6	3
66 x 48	+45	-45	6	4
66 x 60	+45	-45	6	5
66 x 63	+45	-45	6	5
66 x 72	+40	-40	6	6
72 x 36	+45	-45	6	3
72 x 48	+45	-45	6	4
72 x 60	+45	-45	6	5
72 x 63	+45	-45	6	5
72 x 72	+40	-40	6	6

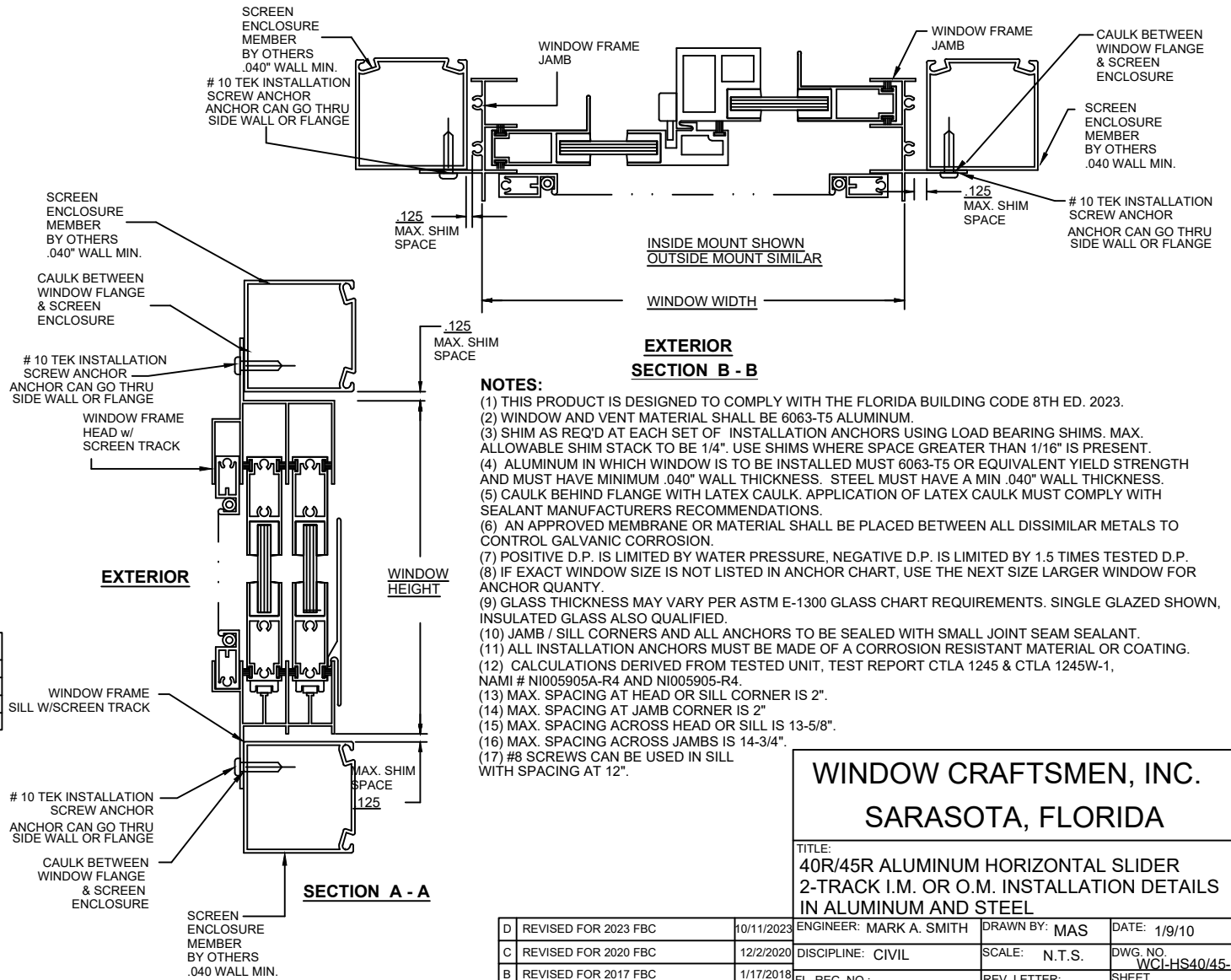
ANCHOR DETAILS

APPLICATION	ANCHOR	EDGE DIST.	MIN. EMBEDMENT	MAX. SHIM SPACE
MASONRY W/1 BY WOOD BUCK	3/16" CONC	2.5"	1.25"	0.25"
MASONRY W/2 BY WOOD BUCK	#10 WOOD	1.5"	1.50"	0.25"
MASONRY	3/16" CONC	2.5"	1.25"	0.25"
METAL	#12 SMS	0.75"	.045" (THICK)	0.25"

NOTE: ANCHOR QUANTITIES ARE NOT TOTAL QUANTITIES BUT QUANTITIES PER SIDE



**EXTERIOR ELEVATION**



**NOTES:**

- (1) THIS PRODUCT IS DESIGNED TO COMPLY WITH THE FLORIDA BUILDING CODE 8TH ED. 2023.
- (2) WINDOW AND VENT MATERIAL SHALL BE 6063-T5 ALUMINUM.
- (3) SHIM AS REQ'D AT EACH SET OF INSTALLATION ANCHORS USING LOAD BEARING SHIMS. MAX. ALLOWABLE SHIM STACK TO BE 1/4". USE SHIMS WHERE SPACE GREATER THAN 1/16" IS PRESENT.
- (4) ALUMINUM IN WHICH WINDOW IS TO BE INSTALLED MUST 6063-T5 OR EQUIVALENT YIELD STRENGTH AND MUST HAVE MINIMUM .040" WALL THICKNESS. STEEL MUST HAVE A MIN .040" WALL THICKNESS.
- (5) CAULK BEHIND FLANGE WITH LATEX CAULK. APPLICATION OF LATEX CAULK MUST COMPLY WITH SEALANT MANUFACTURERS RECOMMENDATIONS.
- (6) AN APPROVED MEMBRANE OR MATERIAL SHALL BE PLACED BETWEEN ALL DISSIMILAR METALS TO CONTROL GALVANIC CORROSION.
- (7) POSITIVE D.P. IS LIMITED BY WATER PRESSURE, NEGATIVE D.P. IS LIMITED BY 1.5 TIMES TESTED D.P.
- (8) IF EXACT WINDOW SIZE IS NOT LISTED IN ANCHOR CHART, USE THE NEXT SIZE LARGER WINDOW FOR ANCHOR QUANTITY.
- (9) GLASS THICKNESS MAY VARY PER ASTM E-1300 GLASS CHART REQUIREMENTS. SINGLE GLAZED SHOWN, INSULATED GLASS ALSO QUALIFIED.
- (10) JAMB / SILL CORNERS AND ALL ANCHORS TO BE SEALED WITH SMALL JOINT SEAM SEALANT.
- (11) ALL INSTALLATION ANCHORS MUST BE MADE OF A CORROSION RESISTANT MATERIAL OR COATING.
- (12) CALCULATIONS DERIVED FROM TESTED UNIT, TEST REPORT CTLA 1245 & CTLA 1245W-1, NAMI # NI005905A-R4 AND NI005905-R4.
- (13) MAX. SPACING AT HEAD OR SILL CORNER IS 2".
- (14) MAX. SPACING AT JAMB CORNER IS 2"
- (15) MAX. SPACING ACROSS HEAD OR SILL IS 13-5/8".
- (16) MAX. SPACING ACROSS JAMBS IS 14-3/4".
- (17) #8 SCREWS CAN BE USED IN SILL WITH SPACING AT 12".

**WINDOW CRAFTSMEN, INC.**  
**SARASOTA, FLORIDA**

TITLE:  
**40R/45R ALUMINUM HORIZONTAL SLIDER  
2-TRACK I.M. OR O.M. INSTALLATION DETAILS  
IN ALUMINUM AND STEEL**

D	REVISED FOR 2023 FBC	10/11/2023	ENGINEER: MARK A. SMITH	DRAWN BY: MAS	DATE: 1/9/10
C	REVISED FOR 2020 FBC	12/2/2020	DISCIPLINE: CIVIL	SCALE: N.T.S.	DWG. NO. WCI-HS40/45-2
B	REVISED FOR 2017 FBC	1/17/2018	FL. REG. NO.:	REV. LETTER: D	SHEET
A	REVISED FOR 2010 FBC	2/20/2012	55511	D	1

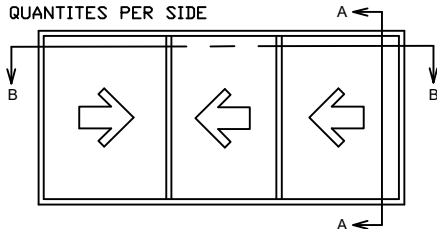
**DESIGN PRESSURE RATING AND ANCHOR CHART**

WINDOW SIZE (INCHES)	PRESSURE CAPACITY IN PSF		QUANTITY OF ANCHORS	
	EXTERIOR	INTERIOR	HD/SILL	JAMBS
54 x 36	+45	-45	5	3
54 x 48	+45	-45	5	4
54 x 60	+45	-45	5	5
54 x 63	+45	-45	5	6
54 x 72	+40	-40	5	6
60 x 36	+45	-45	6	3
60 x 48	+45	-45	6	4
60 x 60	+45	-45	6	5
60 x 63	+45	-45	6	5
60 x 72	+40	-40	6	6
66 x 36	+45	-45	6	3
66 x 48	+45	-45	6	4
66 x 60	+45	-45	6	5
66 x 63	+45	-45	6	5
66 x 72	+40	-40	6	6
72 x 36	+45	-45	6	3
72 x 48	+45	-45	6	4
72 x 60	+45	-45	6	5
72 x 63	+45	-45	6	5
72 x 72	+40	-40	6	6
78 x 36	+45	-45	7	3
78 x 48	+45	-45	7	4
78 x 60	+45	-45	7	5
78 x 63	+45	-45	7	5
78 x 72	+40	-40	7	6
84 x 36	+45	-45	7	3
84 x 48	+45	-45	7	4
84 x 60	+45	-45	7	5
84 x 63	+45	-45	7	5
84 x 72	+40	-40	7	6
96 x 36	+45	-45	8	3
96 x 48	+45	-45	8	4
96 x 60	+45	-45	8	5
96 x 63	+45	-45	8	5
96 x 72	+40	-40	8	6
108 x 36	+45	-45	9	3
108 x 48	+45	-45	9	4
108 x 60	+45	-45	9	5
108 x 63	+45	-45	9	5
108 x 72	+40	-40	9	6

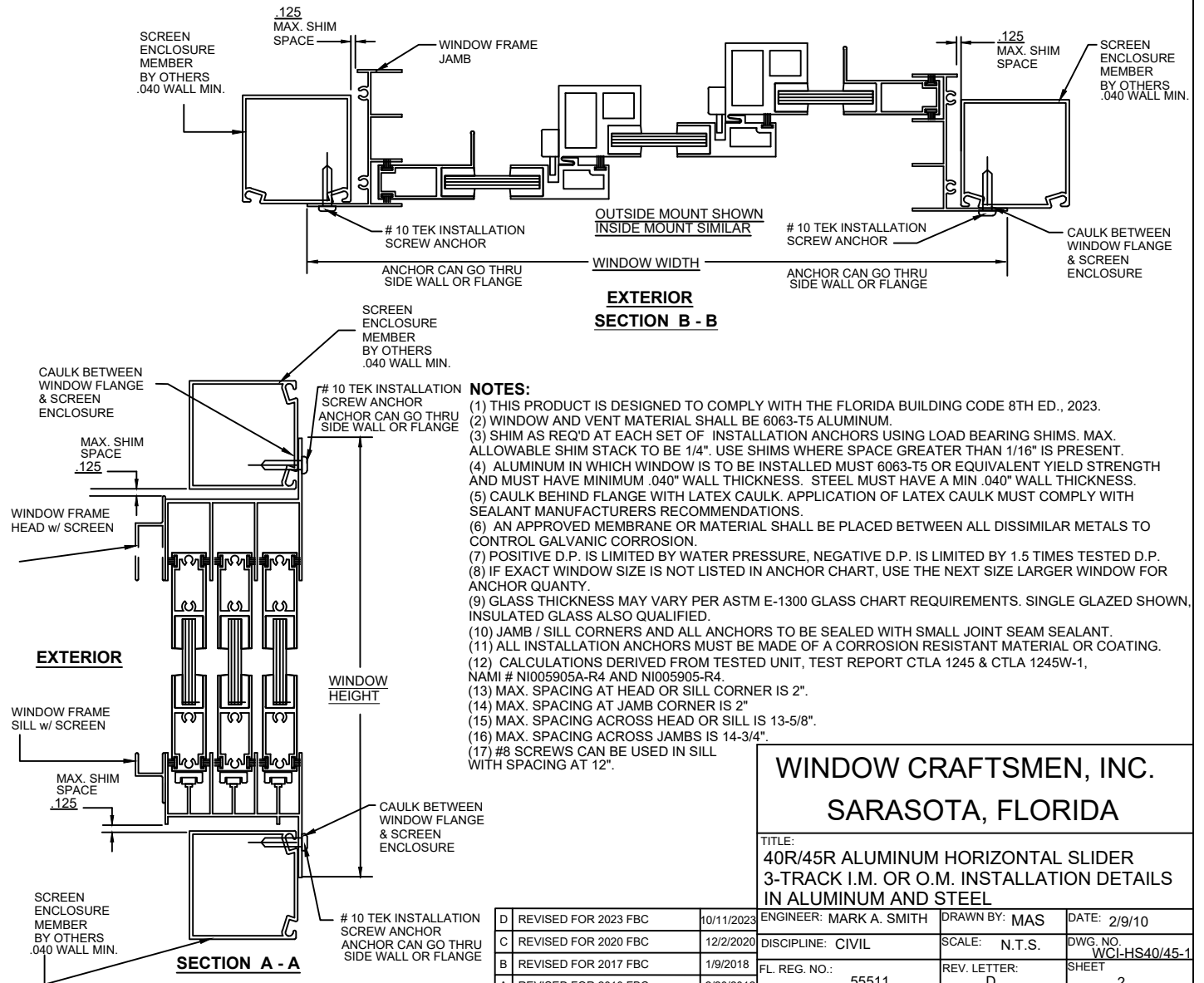
**ANCHOR DETAILS**

APPLICATION	ANCHOR	EDGE DIST.	MIN. EMBEDMENT	MAX. SHIM SPACE
MASONRY W/1 BY WOOD BUCK	3/16" CONC	2.5"	1.25"	0.25"
MASONRY W/2 BY WOOD BUCK	#10 WOOD	1.5"	1.50"	0.25"
MASONRY	3/16" CONC	2.5"	1.25"	0.25"
METAL	#12 SMS	0.75"	.045" (THICK)	0.25"

NOTE: ANCHOR QUANTITIES ARE NOT TOTAL QUANTITIES BUT QUANTITIES PER SIDE



**EXTERIOR ELEVATION**



- NOTES:**
- (1) THIS PRODUCT IS DESIGNED TO COMPLY WITH THE FLORIDA BUILDING CODE 8TH ED., 2023.
  - (2) WINDOW AND VENT MATERIAL SHALL BE 6063-T5 ALUMINUM.
  - (3) SHIM AS REQ'D AT EACH SET OF INSTALLATION ANCHORS USING LOAD BEARING SHIMS. MAX. ALLOWABLE SHIM STACK TO BE 1/4". USE SHIMS WHERE SPACE GREATER THAN 1/16" IS PRESENT.
  - (4) ALUMINUM IN WHICH WINDOW IS TO BE INSTALLED MUST 6063-T5 OR EQUIVALENT YIELD STRENGTH AND MUST HAVE MINIMUM .040" WALL THICKNESS. STEEL MUST HAVE A MIN .040" WALL THICKNESS.
  - (5) CAULK BEHIND FLANGE WITH LATEX CAULK. APPLICATION OF LATEX CAULK MUST COMPLY WITH SEALANT MANUFACTURERS RECOMMENDATIONS.
  - (6) AN APPROVED MEMBRANE OR MATERIAL SHALL BE PLACED BETWEEN ALL DISSIMILAR METALS TO CONTROL GALVANIC CORROSION.
  - (7) POSITIVE D.P. IS LIMITED BY WATER PRESSURE, NEGATIVE D.P. IS LIMITED BY 1.5 TIMES TESTED D.P.
  - (8) IF EXACT WINDOW SIZE IS NOT LISTED IN ANCHOR CHART, USE THE NEXT SIZE LARGER WINDOW FOR ANCHOR QUANTITY.
  - (9) GLASS THICKNESS MAY VARY PER ASTM E-1300 GLASS CHART REQUIREMENTS. SINGLE GLAZED SHOWN, INSULATED GLASS ALSO QUALIFIED.
  - (10) JAMB / SILL CORNERS AND ALL ANCHORS TO BE SEALED WITH SMALL JOINT SEAM SEALANT.
  - (11) ALL INSTALLATION ANCHORS MUST BE MADE OF A CORROSION RESISTANT MATERIAL OR COATING.
  - (12) CALCULATIONS DERIVED FROM TESTED UNIT, TEST REPORT CTLA 1245 & CTLA 1245W-1, NAMI # NI005905A-R4 AND NI005905-R4.
  - (13) MAX. SPACING AT HEAD OR SILL CORNER IS 2".
  - (14) MAX. SPACING AT JAMB CORNER IS 2"
  - (15) MAX. SPACING ACROSS HEAD OR SILL IS 13-5/8".
  - (16) MAX. SPACING ACROSS JAMBS IS 14-3/4".
  - (17) #8 SCREWS CAN BE USED IN SILL WITH SPACING AT 12".

**WINDOW CRAFTSMEN, INC.**  
**SARASOTA, FLORIDA**

TITLE:  
**40R/45R ALUMINUM HORIZONTAL SLIDER  
 3-TRACK I.M. OR O.M. INSTALLATION DETAILS  
 IN ALUMINUM AND STEEL**

D	REVISED FOR 2023 FBC	10/11/2023	ENGINEER: MARK A. SMITH	DRAWN BY: MAS	DATE: 2/9/10
C	REVISED FOR 2020 FBC	12/2/2020	DISCIPLINE: CIVIL	SCALE: N.T.S.	DWG. NO. WCL-HS40/45-1
B	REVISED FOR 2017 FBC	1/9/2018	FL. REG. NO.:	REV. LETTER: D	SHEET
A	REVISED FOR 2010 FBC	2/20/2012	55511		2

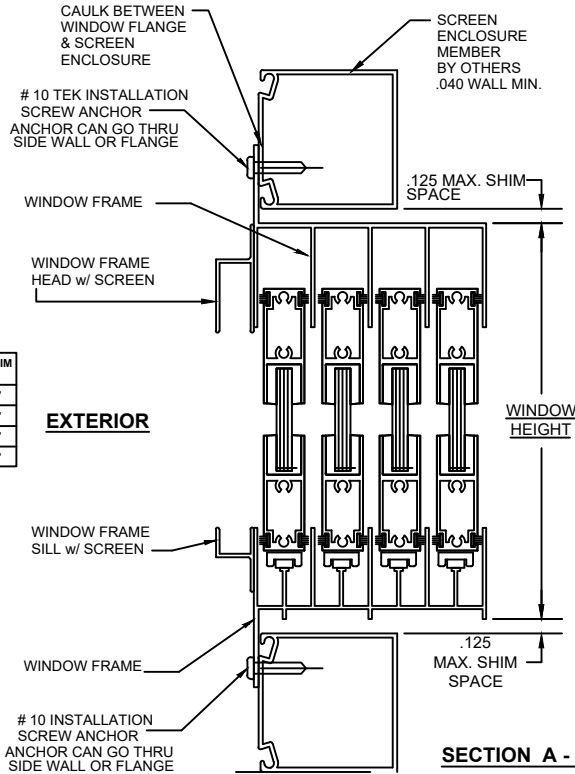
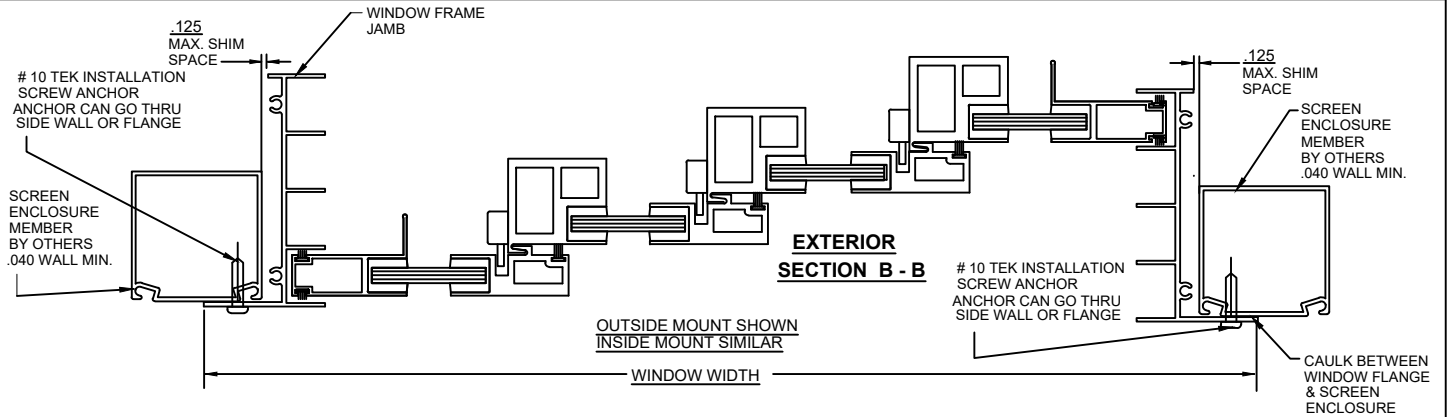
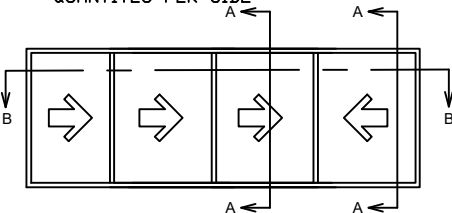
**DESIGN PRESSURE RATING AND ANCHOR CHART**

WINDOW SIZE (INCHES)	PRESSURE CAPACITY IN PSF		QUANTITY OF ANCHORS	
	WIDTH/HEIGHT	EXTERIOR	INTERIOR	HD/SILL
54 x 36	+45	-45	5	3
54 x 48	+45	-45	5	4
54 x 60	+45	-45	5	5
54 x 63	+45	-45	5	5
54 x 72	+40	-40	5	6
66 x 36	+45	-45	6	3
66 x 48	+45	-45	6	4
66 x 60	+45	-45	6	5
66 x 63	+45	-45	6	5
66 x 72	+40	-40	6	6
78 x 36	+45	-45	7	3
78 x 48	+45	-45	7	4
78 x 60	+45	-45	7	5
78 x 63	+45	-45	7	5
78 x 72	+40	-40	7	6
96 x 36	+45	-45	8	3
96 x 48	+45	-45	8	4
96 x 60	+45	-45	8	5
96 x 63	+45	-45	8	5
96 x 72	+40	-40	8	6
109 x 36	+45	-45	9	3
109 x 48	+45	-45	9	4
109 x 60	+45	-45	9	5
109 x 63	+45	-45	9	5
109 x 72	+40	-40	9	6
118 x 36	+45	-45	10	3
118 x 48	+45	-45	10	4
118 x 60	+45	-45	10	5
118 x 63	+45	-45	10	5
118 x 72	+40	-40	10	6
128 x 36	+45	-45	11	3
128 x 48	+45	-45	11	4
128 x 60	+45	-45	11	5
128 x 63	+45	-45	11	5
128 x 72	+40	-40	11	6
144 x 36	+45	-45	12	3
144 x 48	+45	-45	12	4
144 x 60	+45	-45	12	5
144 x 63	+45	-45	12	5
144 x 72	+40	-40	12	6

**ANCHOR DETAILS**

APPLICATION	ANCHOR	EDGE DIST.	MIN. EMBEDMENT	MAX. SHIM SPACE
MASONRY W/1 BY WOOD BUCK	3/16" CONC	2.5"	1.25"	0.25"
MASONRY W/2 BY WOOD BUCK	#10 WOOD	1.5"	1.50"	0.25"
MASONRY	3/16" CONC	2.5"	1.25"	0.25"
METAL	#12 SMS	0.75"	.045" (THICK)	0.25"

NOTE: ANCHOR QUANTITIES ARE NOT TOTAL QUANTITIES BUT QUANTITIES PER SIDE



**NOTES:**

- (1) THIS PRODUCT IS DESIGNED TO COMPLY WITH THE FLORIDA BUILDING CODE 8TH ED., 2023.
- (2) WINDOW AND VENT MATERIAL SHALL BE 6063-T5 ALUMINUM.
- (3) SHIM AS REQ'D AT EACH SET OF INSTALLATION ANCHORS USING LOAD BEARING SHIMS. MAX. ALLOWABLE SHIM STACK TO BE 1/4". USE SHIMS WHERE SPACE GREATER THAN 1/16" IS PRESENT.
- (4) ALUMINUM IN WHICH WINDOW IS TO BE INSTALLED MUST 6063-T5 OR EQUIVALENT YIELD STRENGTH AND MUST HAVE MINIMUM .040" WALL THICKNESS. STEEL MUST HAVE A MIN. .040" WALL THICKNESS.
- (5) CAULK BEHIND FLANGE WITH LATEX CAULK. APPLICATION OF LATEX CAULK MUST COMPLY WITH SEALANT MANUFACTURERS RECOMMENDATIONS.
- (6) AN APPROVED MEMBRANE OR MATERIAL SHALL BE PLACED BETWEEN ALL DISSIMILAR METALS TO CONTROL GALVANIC CORROSION.
- (7) POSITIVE D.P. IS LIMITED BY WATER PRESSURE, NEGATIVE D.P. IS LIMITED BY 1.5 TIMES TESTED D.P.
- (8) IF EXACT WINDOW SIZE IS NOT LISTED IN ANCHOR CHART, USE THE NEXT SIZE LARGER WINDOW FOR ANCHOR QUANTITY.
- (9) GLASS THICKNESS MAY VARY PER ASTM E-1300 GLASS CHART REQUIREMENTS. SINGLE GLAZED SHOWN, INSULATED GLASS ALSO QUALIFIED.
- (10) JAMB / SILL CORNERS AND ALL ANCHORS TO BE SEALED WITH SMALL JOINT SEAM SEALANT.
- (11) ALL INSTALLATION ANCHORS MUST BE MADE OF A CORROSION RESISTANT MATERIAL OR COATING.
- (12) CALCULATIONS DERIVED FROM TESTED UNIT, TEST REPORT CTLA 1245 & CTLA 1245W-1, NAMI # NI005905A-R4 AND NI005905-R4.
- (13) MAX. SPACING AT HEAD OR SILL CORNER IS 2".
- (14) MAX. SPACING AT JAMB CORNER IS 2"
- (15) MAX. SPACING ACROSS HEAD OR SILL IS 13-5/8".
- (16) MAX. SPACING ACROSS JAMBS IS 14-3/4".
- (17) #8 SCREWS CAN BE USED IN SILL WITH SPACING AT 12".

**WINDOW CRAFTSMEN, INC.  
SARASOTA, FLORIDA**

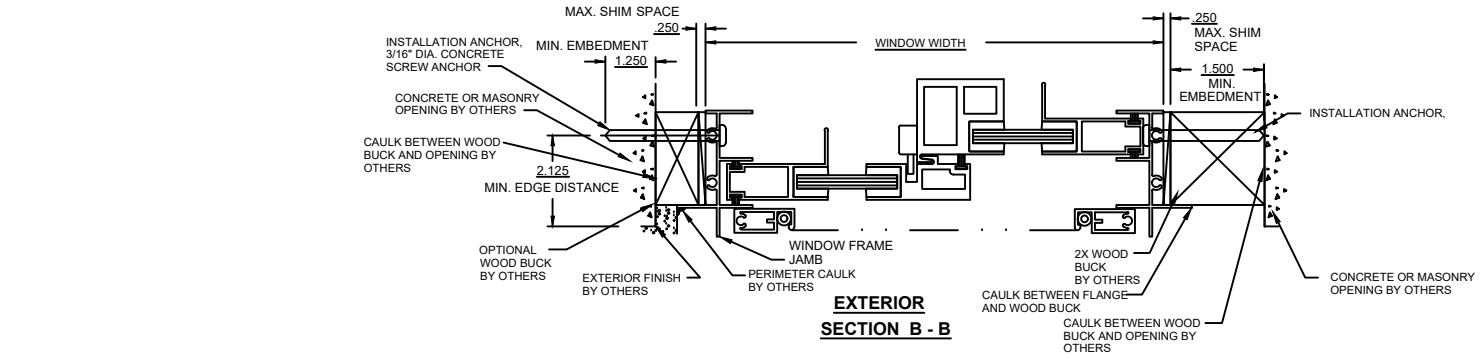
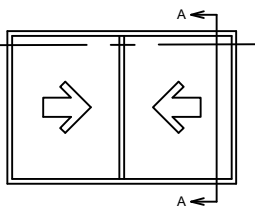
TITLE:  
40R/45R ALUMINUM HORIZONTAL SLIDER  
4-TRACK I.M. OR O.M. INSTALLATION DETAILS  
IN ALUMINUM AND STEEL

D	REVISED FOR 2023 FBC	10/11/2023	ENGINEER: MARK A. SMITH	DRAWN BY: MAS	DATE: 2/9/10
C	REVISED FOR 2020 FBC	12/2/2020	DISCIPLINE: CIVIL	SCALE: N.T.S.	DWG. NO. WCI-HS40/45-3
B	REVISED FOR 2017 FBC	1/9/2018	FL. REG. NO.:	REV. LETTER: D	SHEET
A	REVISED FOR 2010 FBC	2/20/2012	55511		3

DESIGN PRESSURE RATING AND ANCHOR CHART				
WINDOW SIZE (INCHES)	PRESSURE CAPACITY IN PSF		QUANTITY OF ANCHORS	
WIDTH/HEIGHT	EXTERIOR	INTERIOR	HD/SILL	JAMBS
30 x 36	+45	-45	3	3
30 x 48	+45	-45	3	4
30 x 60	+45	-45	3	4
30 x 63	+45	-45	3	4
30 x 72	+40	-40	3	6
36 x 36	+45	-45	4	4
36 x 48	+45	-45	4	5
36 x 60	+45	-45	4	5
36 x 63	+45	-45	4	5
36 x 72	+40	-40	4	6
42 x 36	+45	-45	4	4
42 x 48	+45	-45	4	4
42 x 60	+45	-45	4	4
42 x 63	+45	-45	4	4
42 x 72	+40	-40	4	6
48 x 36	+45	-45	5	4
48 x 48	+45	-45	5	4
48 x 60	+45	-45	5	4
48 x 63	+45	-45	5	4
48 x 72	+40	-40	5	6
54 x 36	+45	-45	5	4
54 x 48	+45	-45	5	4
54 x 60	+45	-45	5	4
54 x 63	+45	-45	5	4
54 x 72	+40	-40	5	6
60 x 36	+45	-45	6	4
60 x 48	+45	-45	6	4
60 x 60	+45	-45	6	4
60 x 63	+45	-45	6	4
60 x 72	+40	-40	6	6
66 x 36	+45	-45	6	4
66 x 48	+45	-45	6	4
66 x 60	+45	-45	6	4
66 x 63	+45	-45	6	4
66 x 72	+40	-40	6	6
72 x 36	+45	-45	6	4
72 x 48	+45	-45	6	4
72 x 60	+45	-45	6	4
72 x 63	+45	-45	6	4
72 x 72	+40	-40	6	6

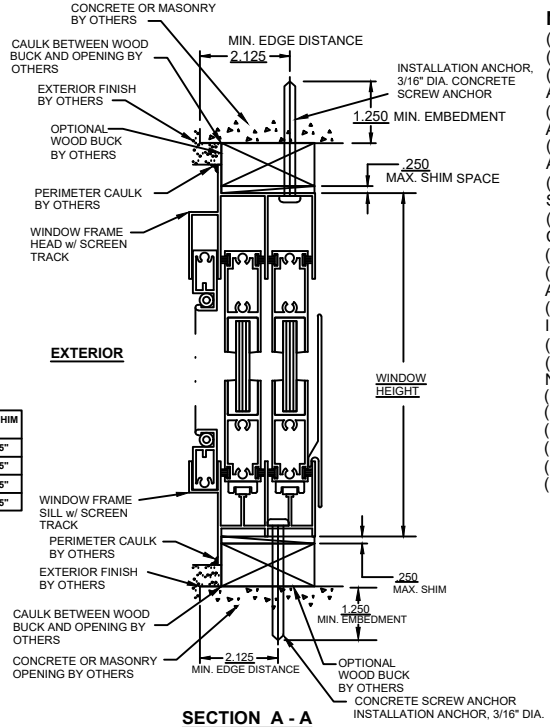
NOTE: ANCHOR QUANTITIES ARE NOT TOTAL QUANTITIES BUT QUANTITIES PER SIDE

APPLICATION	ANCHOR	EDGE DIST.	MIN. EMBEDMENT	MAX. SHIM SPACE
MASONRY W1 BY WOOD BUCK	3/16" CONC	2.5"	1.25"	0.25"
MASONRY W2 BY WOOD BUCK	#10 WOOD	1.5"	1.50"	0.25"
MASONRY	3/16" CONC	2.5"	1.25"	0.25"
METAL	#12 SMS	0.75"	.045" (THICK)	0.25"



**BOTH 1X WOOD BUCK/CONCRETE AND 2X WOOD BUCK SHOWN  
OUTSIDE MOUNT SHOWN  
INSIDE MOUNT SIMILAR**

- NOTES:**
- (1) THIS PRODUCT IS DESIGNED TO COMPLY WITH THE FLORIDA BUILDING CODE 8TH ED., 2023
  - (2) WINDOW AND VENT MATERIAL SHALL BE 6063-T5 ALUMINUM.
  - (3) SHIM AS REQ'D AT EACH SET OF INSTALLATION ANCHORS USING LOAD BEARING SHIMS. MAX. ALLOWABLE SHIM STACK TO BE 1/4". USE SHIMS WHERE SPACE GREATER THAN 1/16" IS PRESENT.
  - (4) INSTALLATION ANCHORS, #10 WOOD SCREWS FOR WOOD FRAMING WITH SUFFICIENT LENGTH TO ACHIEVE A MINIMUM EMBEDMENT OF 1 1/2" INTO THE WOOD FRAMING
  - (5) USE 3/16" DIAMETER TAPCONS FOR CONCRETE OR MASONRY WITH A SUFFICIENT LENGTH TO ACHIEVE A MINIMUM OF 1 1/4" EMBEDMENT INTO CONCRETE OR MASONRY AND 2" MIN. EDGE DISTANCE.
  - (6) CAULK BEHIND FLANGE WITH LATEX CAULK. APPLICATION OF LATEX CAULK MUST COMPLY WITH SEALANT MANUFACTURERS RECOMMENDATIONS.
  - (7) AN APPROVED MEMBRANE OR MATERIAL SHALL BE PLACED BETWEEN ALL DISSIMILAR METALS TO CONTROL GALVANIC CORROSION.
  - (8) POSITIVE D.P. IS LIMITED BY WATER PRESSURE, NEGATIVE D.P. IS LIMITED BY 1.5 TIMES TESTED D.P.
  - (9) IF EXACT WINDOW SIZE IS NOT LISTED IN ANCHOR CHART, USE THE NEXT SIZE LARGER WINDOW FOR ANCHOR QUANTITY.
  - (10) GLASS THICKNESS MAY VARY PER ASTM E-1300 GLASS CHART REQUIREMENTS. SINGLE GLAZED SHOWN, INSULATED GLASS ALSO QUALIFIED.
  - (11) JAMB / SILL CORNERS AND ALL ANCHORS TO BE SEALED WITH SMALL JOINT SEAM SEALANT.
  - (12) ALL INSTALLATION ANCHORS MUST BE MADE OF A CORROSION RESISTANT MATERIAL OR COATING. NAMI # NI005905A-R4 AND NI005905-R4.
  - (13) CALCULATIONS DERIVED FROM TESTED UNIT, TEST REPORTS # CLTA 1245W & # CLTA 1245W-1.
  - (14) MAX. SPACING AT HEAD OR SILL CORNER IS 2".
  - (15) MAX. SPACING AT JAMB CORNER IS 2"
  - (16) MAX. SPACING ACROSS HEAD OR SILL IS 13-5/8".
  - (17) MAX. SPACING ACROSS JAMBS IS 14-3/4"
  - (18) #8 SRREW CAN BE USED IN SILL MAX. SPACING TO BE 12"



**WINDOW CRAFTSMEN, INC.**  
SARASOTA, FLORIDA

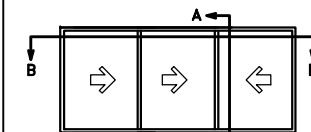
TITLE:  
40R/45R ALUMINUM HORIZONTAL SLIDER  
2-TRACK I.M. OR O.M. INSTALLATION DETAILS  
IN WOOD BUCK AND CONCRETE

D	REVISED FOR 2023 FBC	12/11/2023	ENGINEER: MARK A. SMITH	DRAWN BY: MAS	DATE: 10/21/10
C	REVISED FOR 2020 FBC	12/2/2020	DISCIPLINE: CIVIL	SCALE: N.T.S.	DWG. NO. WCI-HS40/45-4-SP
B	REVISED FOR 2017 FBC	1/9/2017	FL. REG. NO.:	REV. LETTER: D	SHEET
A	REVISED FOR 2010 FBC	2/21/2012	55511		4

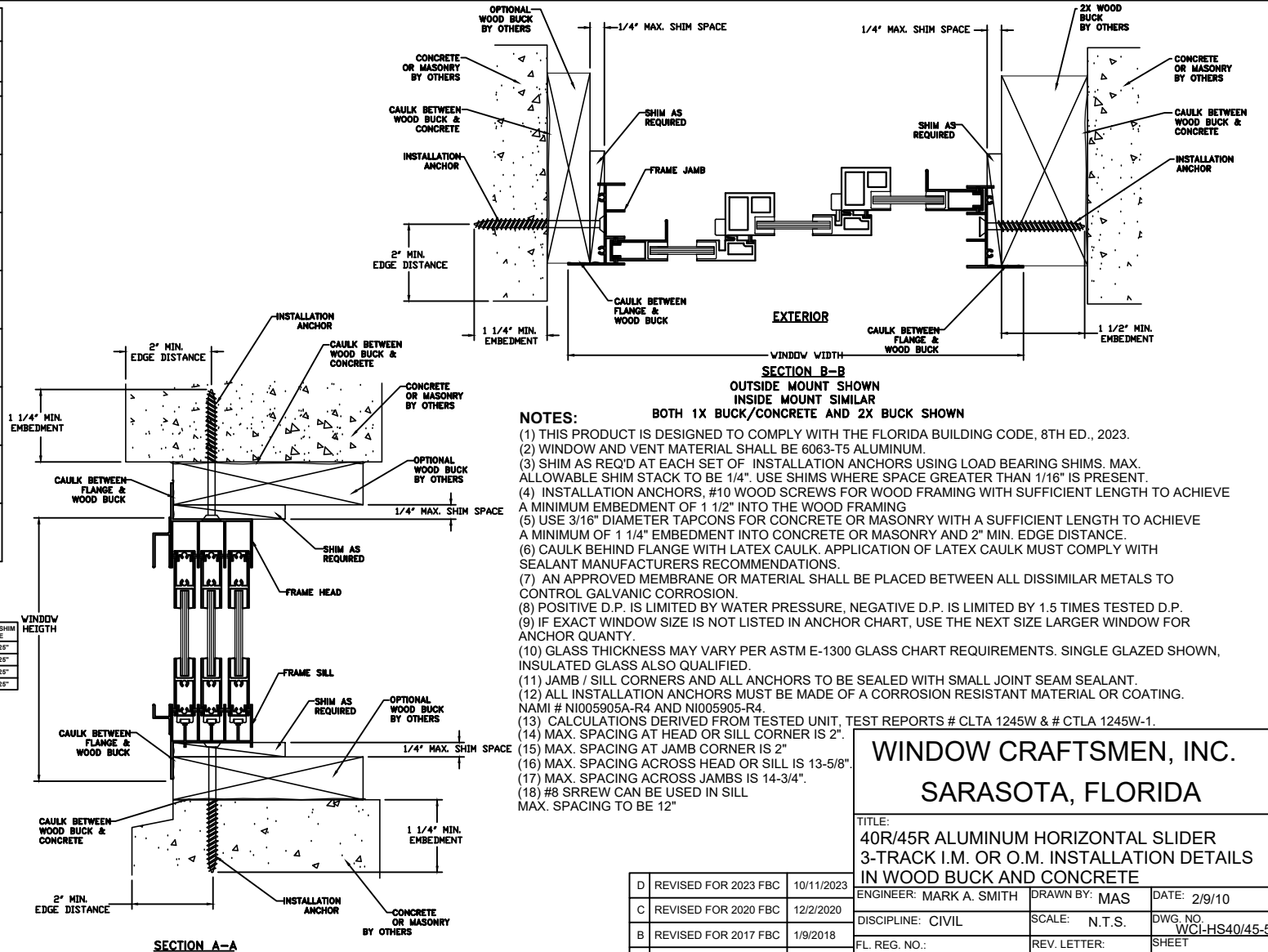
DESIGN PRESSURE RATING AND ANCHOR CHART				
WINDOW SIZE (INCHES)	PRESSURE CAPACITY IN PSF		QUANTITY OF ANCHORS	
	WIDTH/HEIGHT	EXTERIOR	INTERIOR	HD/SILL
54 X 36	+45	-45	5	3
54 X 48	+45	-45	5	4
54 X 60	+45	-45	5	5
54 X 63	+45	-45	5	5
54 X 72	+40	-40	5	6
60 X 36	+45	-45	6	3
60 X 48	+45	-45	6	4
60 X 60	+45	-45	6	5
60 X 63	+45	-45	6	5
60 X 72	+40	-40	6	6
66 X 36	+45	-45	6	3
66 X 48	+45	-45	6	4
66 X 60	+45	-45	6	5
66 X 63	+45	-45	6	5
66 X 72	+40	-40	6	6
72 X 36	+45	-45	6	3
72 X 48	+45	-45	6	4
72 X 60	+45	-45	6	5
72 X 63	+45	-45	6	5
72 X 72	+40	-40	6	6
78 X 36	+45	-45	7	3
78 X 48	+45	-45	7	4
78 X 60	+45	-45	7	5
78 X 63	+45	-45	7	5
78 X 72	+40	-40	7	6
84 X 36	+45	-45	7	3
84 X 48	+45	-45	7	4
84 X 60	+45	-45	7	5
84 X 63	+45	-45	7	5
84 X 72	+40	-40	7	6
96 X 36	+45	-45	8	3
96 X 48	+45	-45	8	4
96 X 60	+45	-45	8	5
96 X 63	+45	-45	8	5
96 X 63	+45	-45	8	6
108 X 36	+45	-45	9	3
108 X 48	+45	-45	9	4
108 X 60	+45	-45	9	5
108 X 63	+45	-45	9	5
108 X 63	+45	-45	9	6

NOTE: ANCHOR QUANTITIES ARE NOT TOTAL QUANTITIES BUT QUANTITIES PER SIDE

APPLICATION	ANCHOR	EDGE DIST.	MIN. EMBEDMENT	MAX. SHIM SPACE
MASONRY W/1 BY WOOD BUCK	3/16" CONC	2.8"	1.28"	0.28"
MASONRY W/2 BY WOOD BUCK	#10 WOOD	1.8"	1.50"	0.28"
MASONRY	3/16" CONC	2.8"	1.28"	0.28"
METAL	#12 SMS	0.75"	.045" (THICK)	0.28"



EXTERIOR ELEVATION



SECTION A-A

NOTES:

- (1) THIS PRODUCT IS DESIGNED TO COMPLY WITH THE FLORIDA BUILDING CODE, 8TH ED., 2023.
  - (2) WINDOW AND VENT MATERIAL SHALL BE 6063-T5 ALUMINUM.
  - (3) SHIM AS REQ'D AT EACH SET OF INSTALLATION ANCHORS USING LOAD BEARING SHIMS. MAX. ALLOWABLE SHIM STACK TO BE 1/4". USE SHIMS WHERE SPACE GREATER THAN 1/16" IS PRESENT.
  - (4) INSTALLATION ANCHORS, #10 WOOD SCREWS FOR WOOD FRAMING WITH SUFFICIENT LENGTH TO ACHIEVE A MINIMUM EMBEDMENT OF 1 1/2" INTO THE WOOD FRAMING
  - (5) USE 3/16" DIAMETER TAPCONS FOR CONCRETE OR MASONRY WITH A SUFFICIENT LENGTH TO ACHIEVE A MINIMUM OF 1 1/4" EMBEDMENT INTO CONCRETE OR MASONRY AND 2" MIN. EDGE DISTANCE.
  - (6) CAULK BEHIND FLANGE WITH LATEX CAULK. APPLICATION OF LATEX CAULK MUST COMPLY WITH SEALANT MANUFACTURERS RECOMMENDATIONS.
  - (7) AN APPROVED MEMBRANE OR MATERIAL SHALL BE PLACED BETWEEN ALL DISSIMILAR METALS TO CONTROL GALVANIC CORROSION.
  - (8) POSITIVE D.P. IS LIMITED BY WATER PRESSURE, NEGATIVE D.P. IS LIMITED BY 1.5 TIMES TESTED D.P.
  - (9) IF EXACT WINDOW SIZE IS NOT LISTED IN ANCHOR CHART, USE THE NEXT SIZE LARGER WINDOW FOR ANCHOR QUANTITY.
  - (10) GLASS THICKNESS MAY VARY PER ASTM E-1300 GLASS CHART REQUIREMENTS. SINGLE GLAZED SHOWN, INSULATED GLASS ALSO QUALIFIED.
  - (11) JAMB / SILL CORNERS AND ALL ANCHORS TO BE SEALED WITH SMALL JOINT SEAM SEALANT.
  - (12) ALL INSTALLATION ANCHORS MUST BE MADE OF A CORROSION RESISTANT MATERIAL OR COATING. NAMI # NI005905A-R4 AND NI005905-R4.
  - (13) CALCULATIONS DERIVED FROM TESTED UNIT, TEST REPORTS # CLTA 1245W & # CTLA 1245W-1.
  - (14) MAX. SPACING AT HEAD OR SILL CORNER IS 2".
  - (15) MAX. SPACING AT JAMB CORNER IS 2"
  - (16) MAX. SPACING ACROSS HEAD OR SILL IS 13-5/8".
  - (17) MAX. SPACING ACROSS JAMBS IS 14-3/4".
  - (18) #8 SRREW CAN BE USED IN SILL
- MAX. SPACING TO BE 12"

WINDOW CRAFTSMEN, INC.  
SARASOTA, FLORIDA

TITLE: 40R/45R ALUMINUM HORIZONTAL SLIDER 3-TRACK I.M. OR O.M. INSTALLATION DETAILS IN WOOD BUCK AND CONCRETE		
ENGINEER: MARK A. SMITH	DRAWN BY: MAS	DATE: 2/9/10
DISCIPLINE: CIVIL	SCALE: N.T.S.	DWG. NO. WCI-HS40/45-5
FL. REG. NO.: 55511	REV. LETTER: D	SHEET 5

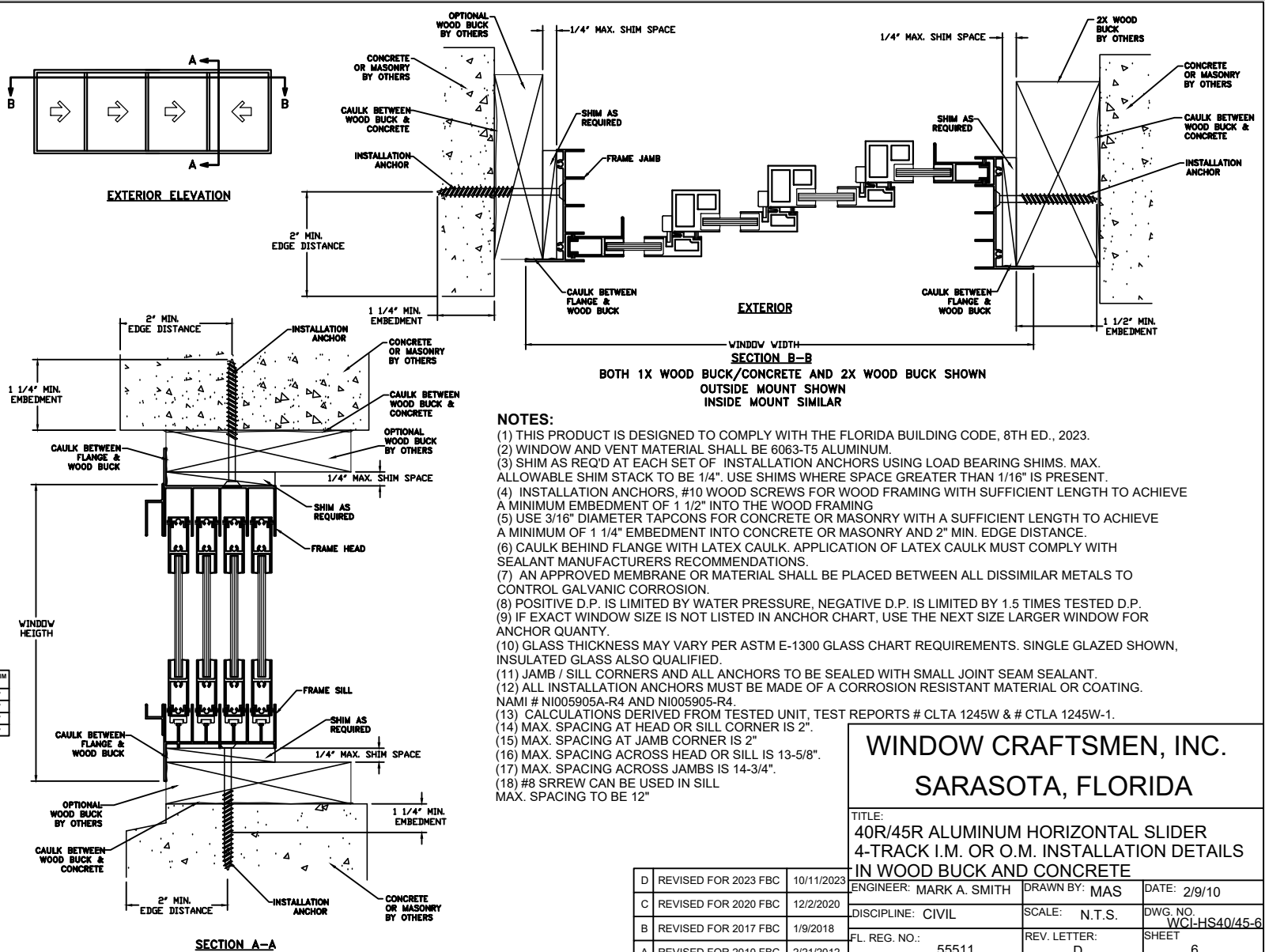
D	REVISED FOR 2023 FBC	10/11/2023
C	REVISED FOR 2020 FBC	12/2/2020
B	REVISED FOR 2017 FBC	1/9/2018
A	REVISED FOR 2010 FBC	2/21/2012

DESIGN PRESSURE RATING AND ANCHOR CHART				
WINDOW SIZE (INCHES)	PRESSURE CAPACITY IN PSF		QUANTITY OF ANCHORS	
	EXTERIOR	INTERIOR	HD/SILL	JAMBS
54 X 36	+45	-45	5	3
54 X 48	+45	-45	5	4
54 X 60	+45	-45	5	5
54 X 63	+45	-45	5	6
54 X 72	+40	-40	5	6
66 X 36	+45	-45	6	3
66 X 48	+45	-45	6	4
66 X 60	+45	-45	6	5
66 X 63	+45	-45	6	6
66 X 72	+40	-40	6	6
78 X 36	+45	-45	7	3
78 X 48	+45	-45	7	4
78 X 60	+45	-45	7	5
78 X 63	+45	-45	7	6
78 X 72	+40	-40	7	6
96 X 36	+45	-45	8	3
96 X 48	+45	-45	8	4
96 X 60	+45	-45	8	5
96 X 63	+45	-45	8	6
96 X 72	+40	-40	8	6
109 X 36	+45	-45	9	3
109 X 48	+45	-45	9	4
109 X 60	+45	-45	9	5
109 X 63	+45	-45	9	6
109 X 72	+40	-40	9	6
118 X 36	+45	-45	10	3
118 X 48	+45	-45	10	4
118 X 60	+45	-45	10	5
118 X 63	+45	-45	10	6
118 X 72	+40	-40	10	6
128 X 36	+45	-45	11	3
128 X 48	+45	-45	11	4
128 X 60	+45	-45	11	5
128 X 63	+45	-45	11	6
128 X 72	+40	-40	11	6
144 X 36	+45	-45	12	3
144 X 48	+45	-45	12	4
144 X 60	+45	-45	12	5
144 X 63	+45	-45	12	6
144 X 72	+40	-40	12	6

NOTE: ANCHOR QUANTITIES ARE NOT TOTAL QUANTITIES BUT QUANTITIES PER SIDE

ANCHOR DETAILS

APPLICATION	ANCHOR	EDGE DIST.	MIN. EMBEDMENT	MAX. SHIM SPACE
MASONRY W/1 BY WOOD BUCK	3/16" CONC	2.5"	1.25"	0.25"
MASONRY W/2 BY WOOD BUCK	#10 WOOD	1.5"	1.50"	0.25"
MASONRY	3/16" CONC	2.5"	1.25"	0.25"
METAL	#12 SMS	0.75"	.848" (THICK)	0.25"



NOTES:

- (1) THIS PRODUCT IS DESIGNED TO COMPLY WITH THE FLORIDA BUILDING CODE, 8TH ED., 2023.
- (2) WINDOW AND VENT MATERIAL SHALL BE 6063-T5 ALUMINUM.
- (3) SHIM AS REQ'D AT EACH SET OF INSTALLATION ANCHORS USING LOAD BEARING SHIMS. MAX. ALLOWABLE SHIM STACK TO BE 1/4". USE SHIMS WHERE SPACE GREATER THAN 1/16" IS PRESENT.
- (4) INSTALLATION ANCHORS, #10 WOOD SCREWS FOR WOOD FRAMING WITH SUFFICIENT LENGTH TO ACHIEVE A MINIMUM EMBEDMENT OF 1 1/2" INTO THE WOOD FRAMING
- (5) USE 3/16" DIAMETER TAPCONS FOR CONCRETE OR MASONRY WITH A SUFFICIENT LENGTH TO ACHIEVE A MINIMUM OF 1 1/4" EMBEDMENT INTO CONCRETE OR MASONRY AND 2" MIN. EDGE DISTANCE.
- (6) CAULK BEHIND FLANGE WITH LATEX CAULK. APPLICATION OF LATEX CAULK MUST COMPLY WITH SEALANT MANUFACTURERS RECOMMENDATIONS.
- (7) AN APPROVED MEMBRANE OR MATERIAL SHALL BE PLACED BETWEEN ALL DISSIMILAR METALS TO CONTROL GALVANIC CORROSION.
- (8) POSITIVE D.P. IS LIMITED BY WATER PRESSURE, NEGATIVE D.P. IS LIMITED BY 1.5 TIMES TESTED D.P.
- (9) IF EXACT WINDOW SIZE IS NOT LISTED IN ANCHOR CHART, USE THE NEXT SIZE LARGER WINDOW FOR ANCHOR QUANTY.
- (10) GLASS THICKNESS MAY VARY PER ASTM E-1300 GLASS CHART REQUIREMENTS. SINGLE GLAZED SHOWN, INSULATED GLASS ALSO QUALIFIED.
- (11) JAMB / SILL CORNERS AND ALL ANCHORS TO BE SEALED WITH SMALL JOINT SEAM SEALANT.
- (12) ALL INSTALLATION ANCHORS MUST BE MADE OF A CORROSION RESISTANT MATERIAL OR COATING. NAMI # NI005905A-R4 AND NI005905-R4.
- (13) CALCULATIONS DERIVED FROM TESTED UNIT, TEST REPORTS # CLTA 1245W & # CTLA 1245W-1.
- (14) MAX. SPACING AT HEAD OR SILL CORNER IS 2".
- (15) MAX. SPACING AT JAMB CORNER IS 2"
- (16) MAX. SPACING ACROSS HEAD OR SILL IS 13-5/8".
- (17) MAX. SPACING ACROSS JAMBS IS 14-3/4".
- (18) #8 SRREW CAN BE USED IN SILL MAX. SPACING TO BE 12"

**WINDOW CRAFTSMEN, INC.**  
**SARASOTA, FLORIDA**

TITLE:  
 40R/45R ALUMINUM HORIZONTAL SLIDER  
 4-TRACK I.M. OR O.M. INSTALLATION DETAILS  
 IN WOOD BUCK AND CONCRETE

D	REVISED FOR 2023 FBC	10/11/2023	ENGINEER: MARK A. SMITH	DRAWN BY: MAS	DATE: 2/9/10
C	REVISED FOR 2020 FBC	12/2/2020	DISCIPLINE: CIVIL	SCALE: N.T.S.	DWG. NO. WCI-HS40/45-6
B	REVISED FOR 2017 FBC	1/9/2018	FL. REG. NO.:	REV. LETTER: D	SHEET 6
A	REVISED FOR 2010 FBC	2/21/2012	55511		