

75R TEMPERED GLASS ANCHOR TABLE

CONFIG.	FRAME WIDTH	FRAME HEIGHT	NUMBER OF ANCHORS			DESIGN	DESIGN
			ACROSS HEAD & SILL	ACROSS JAMB	ACROSS HOOK STRIP	PRESSURE NEG.	PRESSURE POS.
XX	6'	80.00	12	16	11	-75.00	+75.00
	6'	96.00	12	18	13	-75.00	+75.00
XX	8"	80.00	14	16	11	-75.00	+75.00
	8"	96.00	14	18	13	-75.00	+75.00
XXX	9'	80.00	16	16	11	-75.00	+75.00
	9'	96.00	16	18	13	-75.00	+75.00
XXX	12'	80.00	22	16	11	-75.00	+75.00
	12'	96.00	22	18	13	-75.00	+75.00
XXXX	12'	80.00	22	16	11	-75.00	+75.00
	12'	96.00	22	18	13	-75.00	+75.00
XXXX	16'	80.00	28	16	11	-75.00	+75.00
	16'	96.00	28	18	13	-75.00	+75.00

ANCHOR DETAILS

APPLICATION	ANCHOR	EDGE DIST.	MIN. EMBEDMENT	MAX. SHIM SPACE
MASONRY W/1 BY WOOD BUCK	1/4" CONC.	2.0"	1.25"	0.25"
MASONRY W/2 BY WOOD BUCK	#12 WOOD	1.5"	1.50"	0.25"
MASONRY	1/4" CONC.	2.0"	1.25"	0.25"
METAL	#12 SMS	0.75"	.045" (THICK)	0.25"

NOTES:

- (1) THIS PRODUCT IS DESIGNED TO COMPLY WITH THE FLORIDA BUILDING CODE 8TH ED. 2023. INCLUDING HVHZ.
- (2) SHIM AS REQ'D AT EACH SET OF INSTALLATION ANCHORS USING LOAD BEARING SHIMS. MAX. ALLOWABLE SHIM STACK TO BE 1/4". USE SHIMS WHERE SPACE GREATER THAN 1/16" IS PRESENT.
- (3) DOOR MATERIAL : 6063-T5 ALUMINUM.
- (4) 1/4" DIA. CONCRETE SREW ANCHORS MUST BE OF SUFFICIENT LENGTH TO ACHIEVE A MIN. EMBEDMENT OF 1 1/4" INTO CONCRETE OR MASONRY FOR 1 X WOOD BUCK OR A MIN. EMBEDMENT OF 1 1/4" INTO SOLID WOOD FOR 2 X BUCK OR WOOD FRAMED OPENINGS (GREATER THAN 1 3/8" THICK).
- (5) MAX. ALLOWABLE SPACING OF 1/4" DIA. CONCRETE SCREWS, WITHIN 6" FROM EACH CORNER, 13-13/16" ACROSS HEAD & SILL, 10-15/16" ALONG JAMBS AND 7-3/4" ON HOOK STRIP.
- (6) ALL FACTORY APPLIED HOLES IN FRAME MEMBERS NOT DESIGNATED FOR CONCRETE SCREW ANCHORS SHOULD BE FILLED WITH #12 SCREWS OF SUFFICIENT LENGTH TO ACHIEVE A MIN. EMBEDMENT OF 1-1/2" INTO WOOD BUCK.
- (7) USE LATEX CAULK OR EQUIVALENT FOR PERIMETER SEAL AROUND EXTERIOR OF DOOR.
- (8) WHEN INSTALLING INTO STEEL OR ALUMINUM, #12 SMS MUST HAVE SUFFICIENT LENGTH SO THAT THERE IS FULL THREAD ENGAGEMENT THROUGH THE METAL.
- (9) IF EXACT DOOR SIZE IS NOT LISTED IN ANCHOR CHART, USE THE NEXT SIZE LARGER DOOR FOR ANCHOR QUANTY.
- (10) FOR POCKET DOOR SIZES, USE CLOSEST BY-PASS DOOR SIZE TO SIZE OF FINISHED OPENING.
- (11) GLASS COMPLIES WITH ASTM E-1300 GLASS CHART REQUIREMENTS. SINGLE GLAZED SHOWN, INSULATED GLASS ALSO QUALIFIED SEE SHEET 7 FOR GLAZING OPTIONS.
- (12) JAMB / SILL CORNERS AND ALL ANCHORS TO BE SEALED WITH SMALL JOINT SEAM SEALANT.
- (13) ALL INSTALLATION ANCHORS MUST BE MADE OF A CORROSION RESISTANT MATERIAL OR COATING.
- (14) NOT ALL CONFIGURATIONS LISTED ON ANCHOR CHART ARE SHOWN ON THIS DRAWING. HOWEVER, INSTALLATION SECTION A-A & B-B APPLY TO ALL CONFIGURATIONS.

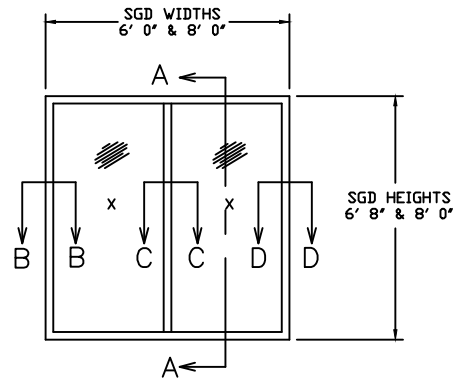
NOTES ON ANCHOR CALCULATIONS:

- (1) CALCULATIONS DERIVED FROM TESTED UNIT, TEST REPORTS # NCTL-210-3220-1A & NCTL-210-3220-1B; NAMI NI006716.
- (2) TEMPERED GLASS TESTED UNIT WAS "XXXX", 192" x 96", USING 1/4" (6mm) TEMPERED GLASS.
- (3) THE QUANTITY OF ANCHORS ARE FOR EACH SIDE, NOT TOTAL QUANTITY.
- (4) MAX. SPACING AT HEAD OR SILL CORNER IS 6". SPACING IS WITH ANCHORS IN PAIRS
- (5) MAX. SPACING AT JAMB CORNER IS 4-1/4". SPACING IS WITH ANCHORS IN PAIRS
- (6) MAX. SPACING ACROSS HEAD OR SILL IS 13-13/16". SPACING IS WITH ANCHORS IN PAIRS
- (7) MAX. SPACING ACROSS JAMBS IS 10-15/16". SPACING IS WITH ANCHORS IN PAIRS
- (8) MAX. SPACING ACROSS HOOK STRIP IS 7-3/4".

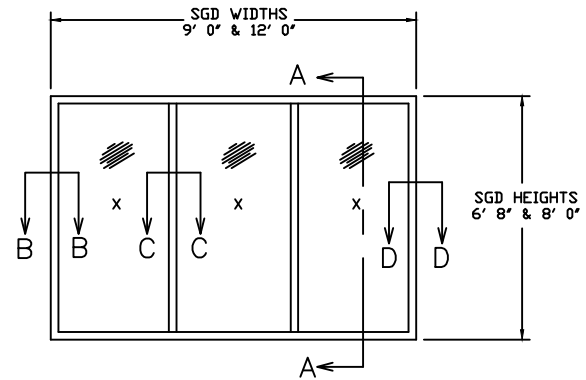
WINDOW CRAFTSMEN, INC.
6031 CLARK CENTER AVE.
SARASOTA, FLORIDA 34238

TITLE: 75R TEMPERED GLASS SLIDING DOORS
ALUMINUM BY-PASS/CENTER MEET/ POCKET
ANCHOR TABLE AND NOTES

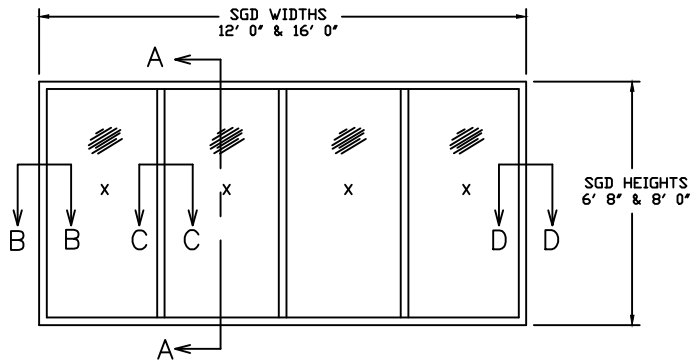
H	8TH ED FBC	10/24/23	ENGINEER: MARK A. SMITH	DRAWN BY: MAS	DATE: 3/25/11
G	7TH ED FBC	12/4/20	DISCIPLINE: CIVIL	SCALE: N.T.S.	DWG. NO. WCI-SGD013
F	6TH FBC	1/24/18	FL. REG. NO.: 55511	REV. LETTER: H	SHEET 1
E	CURRENT FBC	4/17/15			



**2 PANEL SLIDING GLASS DOOR
XX CONFIGURATION**



**3 PANEL SLIDING GLASS DOOR
XXX CONFIGURATION**



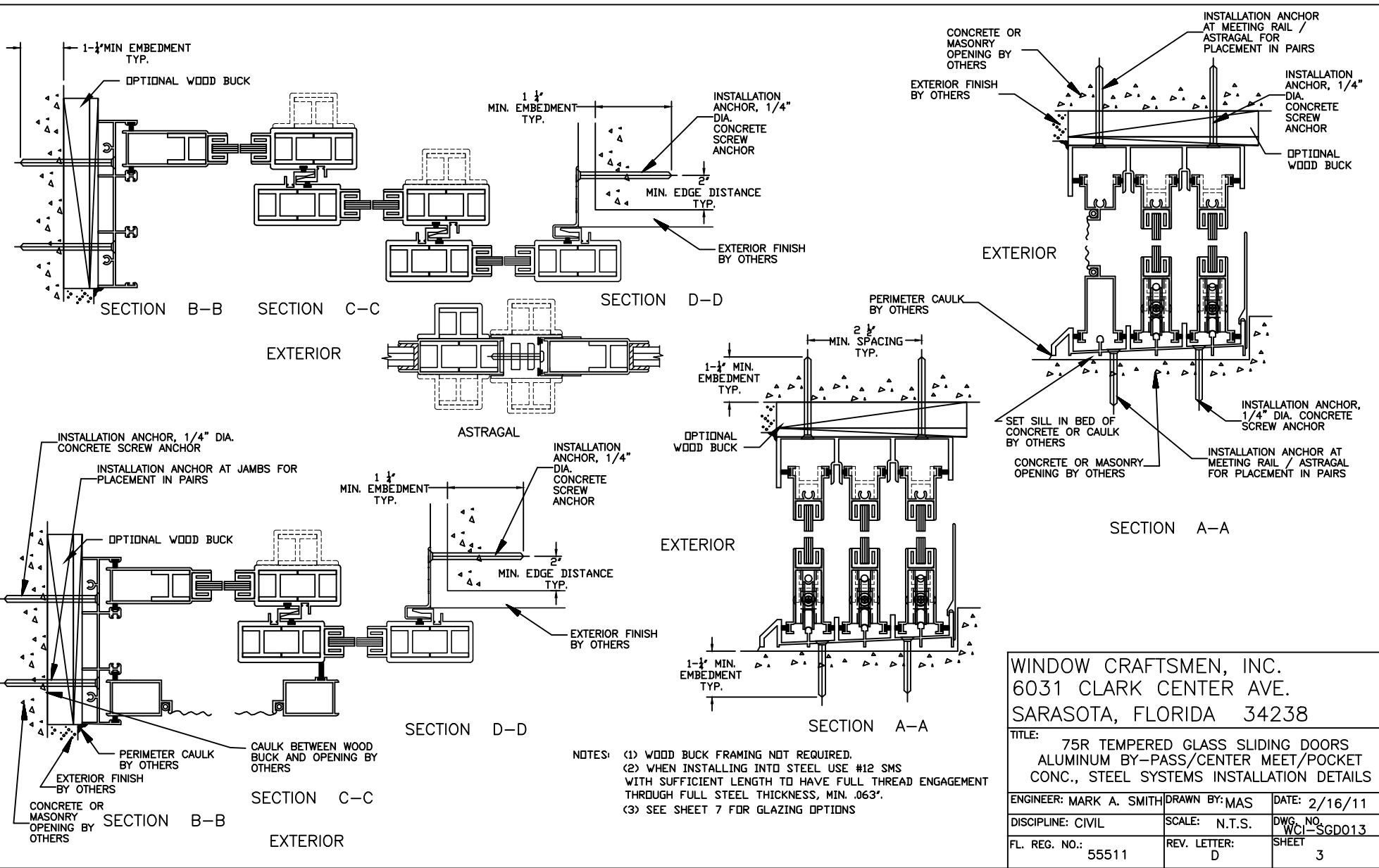
**4 PANEL SLIDING GLASS DOOR
XXXX CONFIGURATION**

FOR INSTALLATION DETAILS AND
SECTIONS A-A, B-B, C-C AND D-D SEE SHEETS 3, 4, AND 5

WINDOW CRAFTSMEN, INC.
6031 CLARK CENTER AVE.
SARASOTA, FLORIDA 34238

TITLE: 75R TEMPERED GLASS SLIDING DOORS
ALUMINUM BY-PASS/CENTER MEET/POCKET
2, 3 & 4 PANEL ELEVATIONS

ENGINEER: MARK A. SMITH	DRAWN BY: MAS	DATE: 2/17/11
DISCIPLINE: CIVIL	SCALE: N.T.S.	DWG. NO. WCI-SGD013
FL. REG. NO.: 55511	REV. LETTER: D	SHEET 2

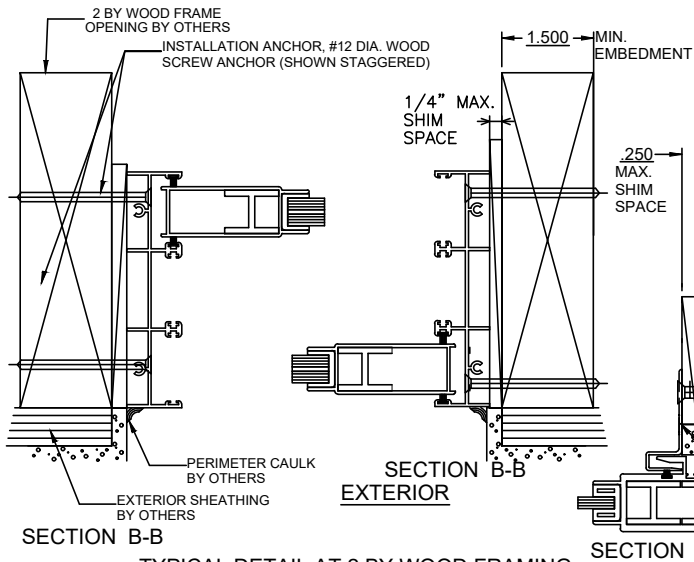


- NOTES:
- (1) WOOD BUCK FRAMING NOT REQUIRED.
 - (2) WHEN INSTALLING INTO STEEL USE #12 SMS WITH SUFFICIENT LENGTH TO HAVE FULL THREAD ENGAGEMENT THROUGH FULL STEEL THICKNESS, MIN. .063".
 - (3) SEE SHEET 7 FOR GLAZING OPTIONS

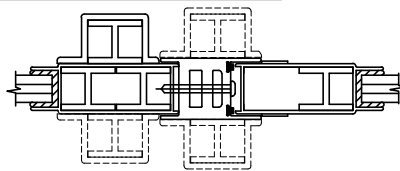
WINDOW CRAFTSMEN, INC.
 6031 CLARK CENTER AVE.
 SARASOTA, FLORIDA 34238

TITLE: 75R TEMPERED GLASS SLIDING DOORS ALUMINUM BY-PASS/CENTER MEET/POCKET CONC., STEEL SYSTEMS INSTALLATION DETAILS

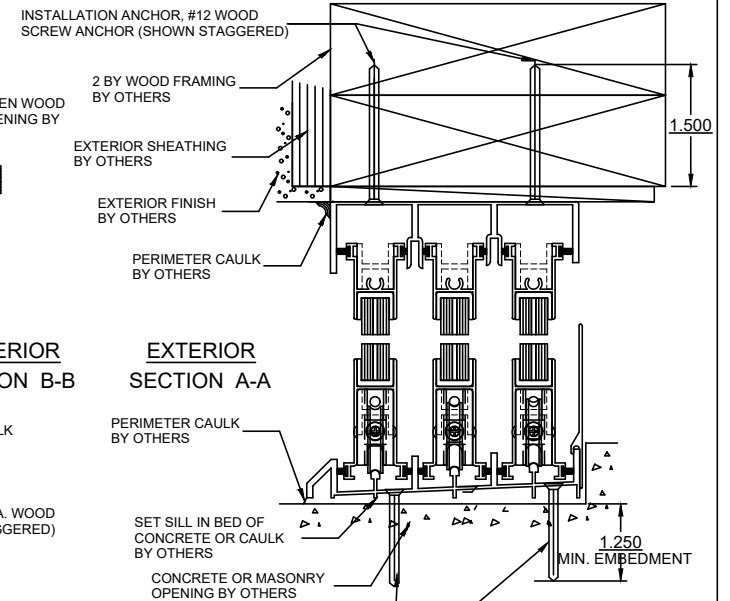
ENGINEER: MARK A. SMITH	DRAWN BY: MAS	DATE: 2/16/11
DISCIPLINE: CIVIL	SCALE: N.T.S.	DWG. NO. WCI-SGD013
FL. REG. NO.: 55511	REV. LETTER: D	SHEET 3



TYPICAL DETAIL AT 2 BY WOOD FRAMING

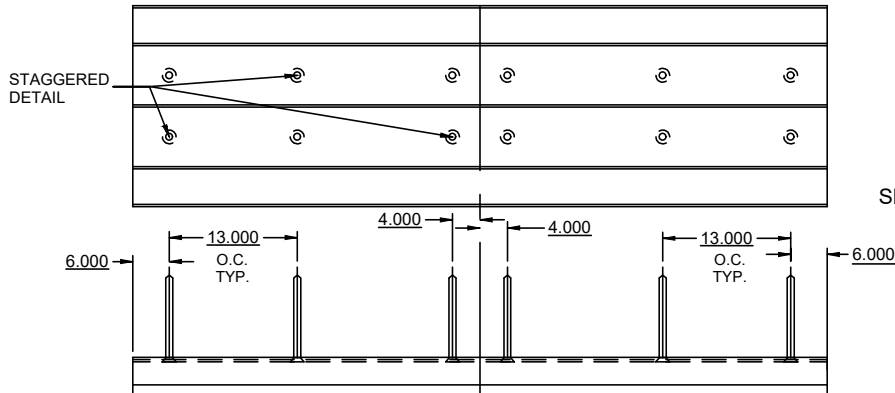


TYPICAL DETAIL AT 2 X BUCK

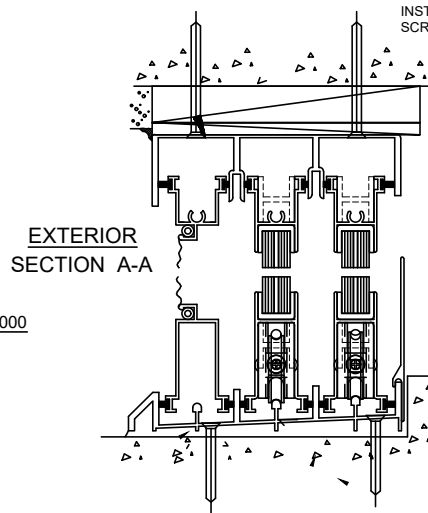


TYPICAL DETAIL AT 2 BY WOOD FRAMING

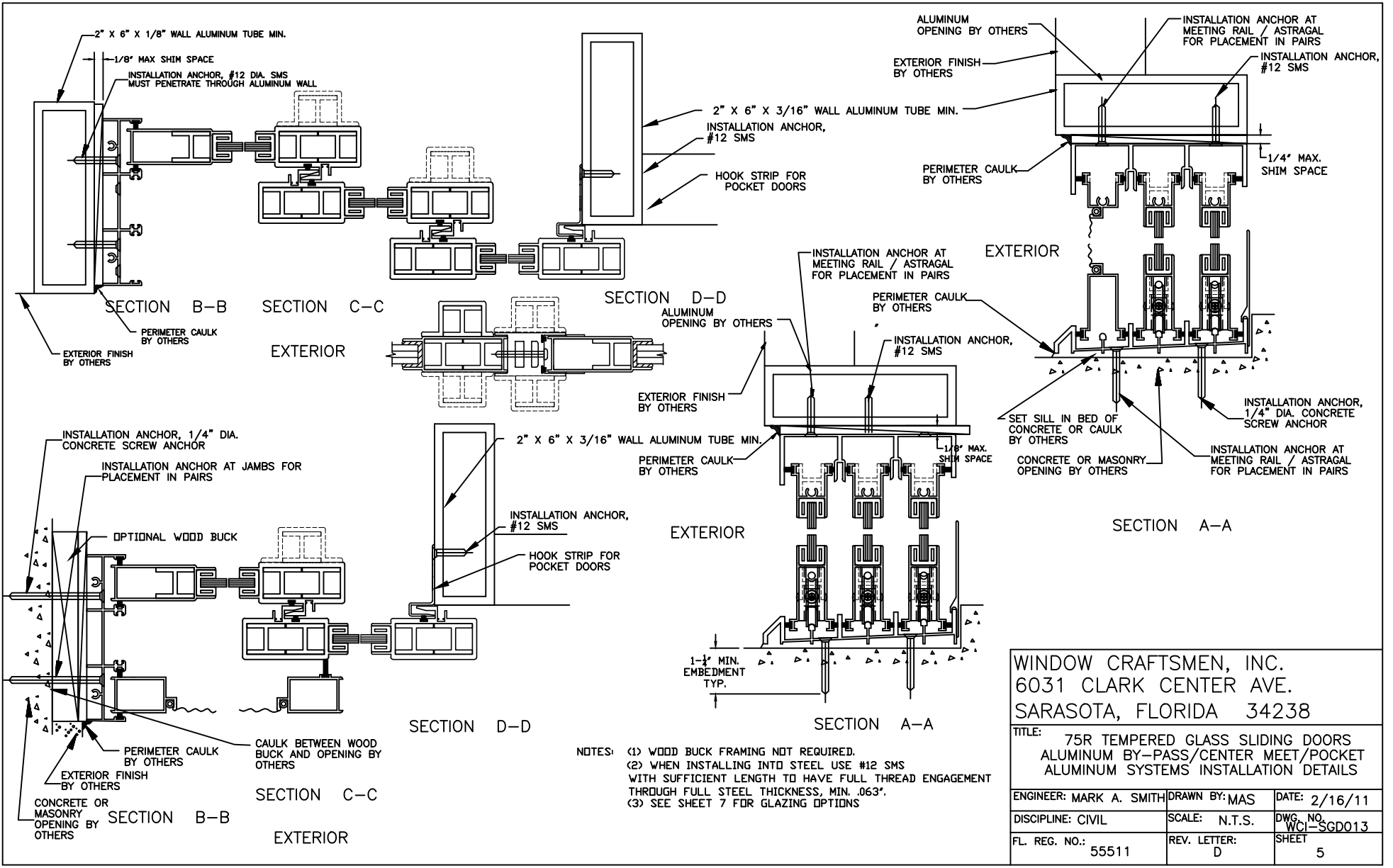
SEE SHEET 7 FOR GLAZING OPTIONS



TYPICAL ANCHOR DETAIL AT INTERLOCK OR ASTRAGAL

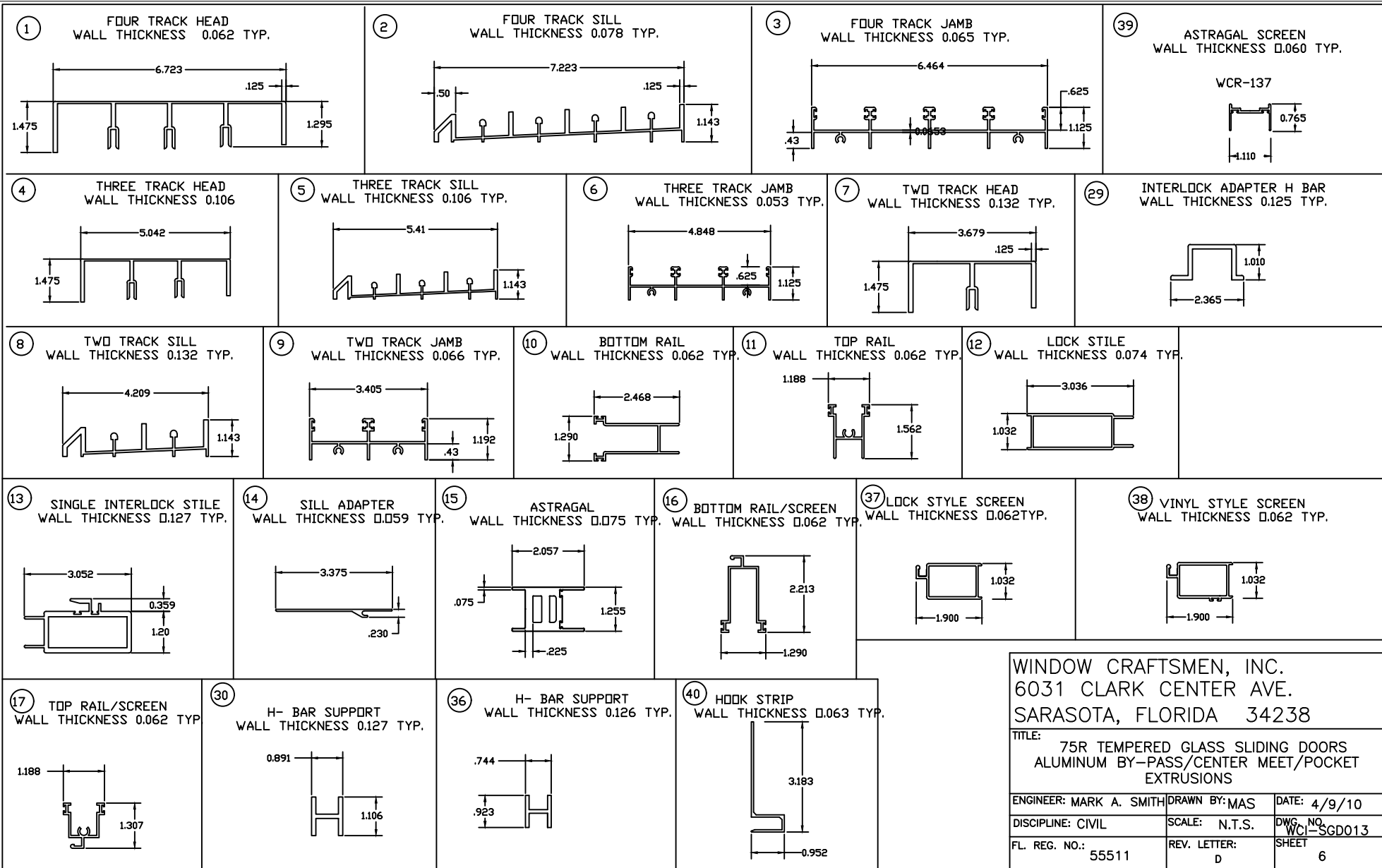


WINDOW CRAFTSMEN, INC. 6031 CLARK CENTER AVE. SARASOTA, FLORIDA 34238		
TITLE: 75R TEMPERED GLASS SLIDING DOORS ALUMINUM BY-PASS/CENTER MEET/POCKET WOOD FRAMING INSTALLATION DETAILS		
ENGINEER: MARK A. SMITH	DRAWN BY: MAS	DATE: 2/18/11
DISCIPLINE: CIVIL	SCALE: N.T.S.	DWG. NO. WCI-SGD013
FL. REG. NO.: 55511	REV. LETTER: D	SHEET 4



- NOTES: (1) WOOD BUCK FRAMING NOT REQUIRED.
 (2) WHEN INSTALLING INTO STEEL USE #12 SMS WITH SUFFICIENT LENGTH TO HAVE FULL THREAD ENGAGEMENT THROUGH FULL STEEL THICKNESS, MIN. .063".
 (3) SEE SHEET 7 FOR GLAZING OPTIONS

WINDOW CRAFTSMEN, INC. 6031 CLARK CENTER AVE. SARASOTA, FLORIDA 34238		
TITLE: 75R TEMPERED GLASS SLIDING DOORS ALUMINUM BY-PASS/CENTER MEET/POCKET ALUMINUM SYSTEMS INSTALLATION DETAILS		
ENGINEER: MARK A. SMITH	DRAWN BY: MAS	DATE: 2/16/11
DISCIPLINE: CIVIL	SCALE: N.T.S.	DWG. NO. WCI-SGD013
FL. REG. NO.: 55511	REV. LETTER: D	SHEET 5

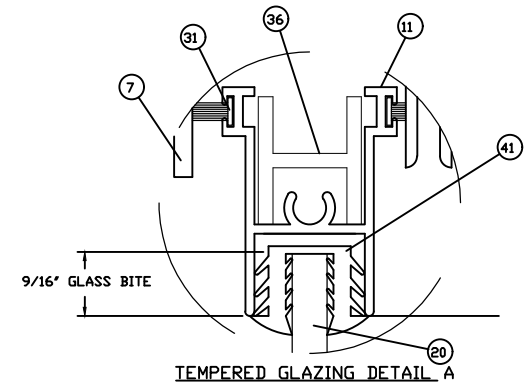


WINDOW CRAFTSMEN, INC.
6031 CLARK CENTER AVE.
SARASOTA, FLORIDA 34238

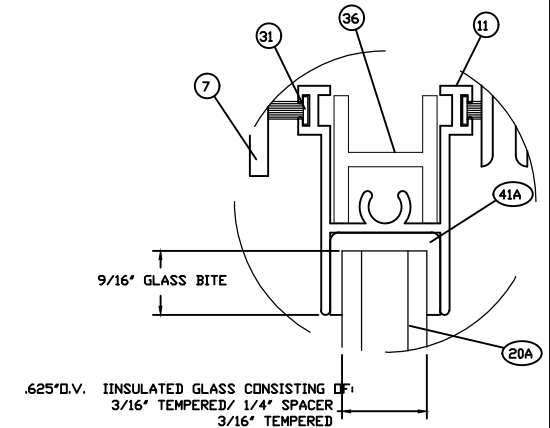
TITLE:
75R TEMPERED GLASS SLIDING DOORS
ALUMINUM BY-PASS/CENTER MEET/POCKET
EXTRUSIONS

ENGINEER: MARK A. SMITH	DRAWN BY: MAS	DATE: 4/9/10
DISCIPLINE: CIVIL	SCALE: N.T.S.	DWG. NO. WCI-SCD013
FL. REG. NO.: 55511	REV. LETTER: D	SHEET 6

BILL OF MATERIAL				
ITEM NO.	PART NO.	DESCRIPTION	VENDOR	
1	WCR-90499-1	FOUR TRACK HEAD	ALUM. ALLOY 6063-T5	PROFILE
2	WCR-90500-1	FOUR TRACK SILL	ALUM. ALLOY 6063-T5	PROFILE
3	WCR-90501	FOUR TRACK JAMB	ALUM. ALLOY 6063-T5	PROFILE
4	WCR-79670-1	THREE TRACK HEAD	ALUM. ALLOY 6063-T5	PROFILE
5	WCR-79671-1	THREE TRACK SILL	ALUM. ALLOY 6063-T5	PROFILE
6	WCR-79672	THREE TRACK JAMB	ALUM. ALLOY 6063-T5	PROFILE
7	WCR-90496-1	TWO TRACK HEAD	ALUM. ALLOY 6063-T5	PROFILE
8	WCR-90497-1	TWO TRACK SILL	ALUM. ALLOY 6063-T5	PROFILE
9	WCR-90498	TWO TRACK JAMB	ALUM. ALLOY 6063-T5	PROFILE
10	WCR-90785	BOTTOM RAIL	ALUM. ALLOY 6063-T5	PROFILE
11	WCR-91060	TOP RAIL	ALUM. ALLOY 6063-T6	PROFILE
12	WCR-110	LOCK STILE	ALUM. ALLOY 6063-T6	PROFILE
13	WCR-111	SINGLE INTERLOCK STILE	ALUM. ALLOY 6063-T6	PROFILE
14	WCR-112	SILL ADAPTER	ALUM. ALLOY 6063-T6	PROFILE
15	WCR-038A	ASTRAGAL	ALUM. ALLOY 6063-T5	PROFILE
16	WCR-114	BOTTOM RAIL SCREEN	ALUM. ALLOY 6063-T5	PROFILE
17	WCR-115	TOP RAIL SCREEN	ALUM. ALLOY 6063-T5	PROFILE
18		SPLINE, 200 ROUND SCREEN		ALUMINUM SPECIALTIES
19	WINCR-1648-01	DDOR LOCK SET		AMERBURY
20		GLASS	1/4" TEMPERED	OLD CASTLE
20A		INSULATED GLASS	5/8, (3/16" TEMPERED x 1/4" SPACER x 3/16" TEMPERED)	OLD CASTLE
21	PJS-7623-38	SINGLE ROLLER		SULLIVAN ASSOCIATES
22	FLB229999	DDOR BUMPER		FRANK LOWE RUBBER
23	SGD-1800	PANEL BUMPER		COMMERCIAL PLASTICS
24		#14 X 1", PANEL SCREW -1		ACTION BOLT
25		#14 X 1" TYPE 23, PANEL SCREW-2		ACTION BOLT
26		8-32 X 3/8", KEEPER SCREW		ACTION BOLT
27		#12 X 1-3/4", INSTALLATION/ASTRAGAL SCREW		ACTION BOLT
28		#12 X 1-1/4" SQ. TYPE B, MAINFRAME SCREW		ACTION BOLT
29	WCR-100	INTERLOCK ADAPTER H BAR	ALUM. ALLOY 6063-T6	PROFILE
30	WCR-002A	H-BAR SUPPORT	ALUM. ALLOY 6063-T5	PROFILE
31	W23251NW	POLYPILE 0.187 X 0.250 FIN		ULTRAFAB
32	W13251NW	POLYPILE 0.187 X 0.250		ULTRAFAB
33	TP-1023	SETTING BLOCK		TEAM PLASTICS
34	TP-433	VINYL GLAZING SCREEN		TEAM PLASTICS
35	TP-915	VINYL INTERLOCK		TEAM PLASTICS
36	WCR-007	H-BAR SUPPORT	ALUM. ALLOY 6063-T6	PROFILE
37	WCR-116	LOCK STILE SCREEN		PROFILE
38	WCR-117	VINYL STILE SCREEN		PROFILE
39	WCR-137	ASTRAGAL SCREEN		PROFILE
40	62490W13	HOOK STRIP		NUAIR
41	TP-162	1/4" MARINE GLAZING		TEAM PLASTICS
41A	795802	TREMGLAZE S500		TREMCO
42	WC-118	SECURITY CLIP		RIMER & RIMER
43	PD300WHUC-S1	SCREEN HANDLE SET		SULLIVAN ASSOCIATES
44	2537-SS	KEEPER		SULLIVAN ASSOCIATES



TEMPERED GLAZING DETAIL A



INSULATED GLASS GLAZING DETAIL B

WINDOW CRAFTSMEN, INC.
6031 CLARK CENTER AVE.
SARASOTA, FLORIDA 34238

TITLE:
75R TEMPERED GLASS SLIDING DOOR
ALUMINUM BY-PASS/CENTER MEET/POCKET
BILL OF MATERIALS

ENGINEER: MARK A. SMITH	DRAWN BY: MAS	DATE: 2/18/11
DISCIPLINE: CIVIL	SCALE: N.T.S.	DWG. NO. WCI-SGD013
FL. REG. NO.: 55511	REV. LETTER: D	SHEET 7