

**SERIES 75 TEMPERED GLASS ANCHOR TABLE**

CONFIG.	FRAME WIDTH	FRAME HEIGHT	NUMBER OF ANCHORS			DESIGN	DESIGN
			ACROSS HEAD & SILL	ACROSS JAMB	ACROSS HOOK STRIP	PRESSURE NEG.	PRESSURE POS.
XX	6'	80.00	12	16	11	-75.00	+75.00
	6'	96.00	12	18	13	-75.00	+75.00
XX	8"	80.00	14	16	11	-75.00	+75.00
	8'	96.00	14	18	13	-75.00	+75.00
XXX	9'	80.00	16	16	11	-75.00	+75.00
	9'	96.00	16	18	13	-75.00	+75.00
XXX	12'	80.00	22	16	11	-75.00	+75.00
	12'	96.00	22	18	13	-75.00	+75.00
XXXX	12'	80.00	22	16	11	-75.00	+75.00
	12'	96.00	22	18	13	-75.00	+75.00
XXXX	16'	80.00	28	16	11	-75.00	+75.00
	16'	96.00	28	18	13	-75.00	+75.00
XXXXXX	18'	80.00	32	16	11	-75.00	+75.00
	18'	96.00	32	18	13	-75.00	+75.00
XXXXXX	24'	80.00	44	16	11	-75.00	+75.00
	24'	96.00	44	18	13	-75.00	+75.00
XXXXXXXX	24	80.00	44	16	11	-75.00	+75.00
	24'	96.00	44	18	13	-75.00	+75.00
XXXXXXXX	32'	80.00	56	16	11	-75.00	+75.00
	32'	96.00	56	18	13	-75.00	+75.00

**ANCHOR DETAILS**

APPLICATION	ANCHOR	EDGE DIST.	MIN. EMBEDMENT	MAX. SHIM SPACE
MASONRY W/1 BY WOOD BUCK	1/4" CONC.	2.0"	1.25"	0.25"
MASONRY W/2 BY WOOD BUCK	#12 WOOD	1.5"	1.50"	0.25"
MASONRY	1/4" CONC.	2.0"	1.25"	0.25"
METAL	#12 SMS	0.75"	.045" (THICK)	0.25"

**NOTES ON ANCHOR CALCULATIONS:**

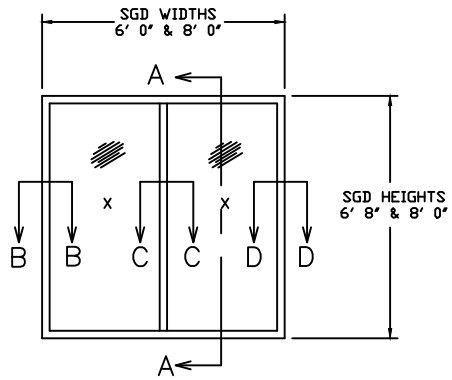
- (1) CALCULATIONS DERIVED FROM TESTED UNIT, TEST REPORT # NCTL-210-3220-1A. NCTL-210-3220-1B
- (2) TESTED UNIT WAS "XXXX", 192" x 96", USING 1/4" (6mm) TEMPERED GLASS.
- (3) THE QUANTITY OF ANCHORS ARE FOR EACH SIDE, NOT TOTAL QUANTITY.
- (4) MAX. SPACING AT HEAD OR SILL CORNER IS 6". SPACING IS WITH ANCHORS IN PAIRS
- (5) MAX. SPACING AT JAMB CORNER IS 4-1/4". SPACING IS WITH ANCHORS IN PAIRS
- (6) MAX. SPACING ACROSS HEAD OR SILL IS 13-13/16". SPACING IS WITH ANCHORS IN PAIRS
- (7) MAX. SPACING ACROSS JAMBS IS 10-15/16". SPACING IS WITH ANCHORS IN PAIRS
- (8) MAX. SPACING ACROSS HOOK STRIP IS 7-3/4".

**NOTES:**

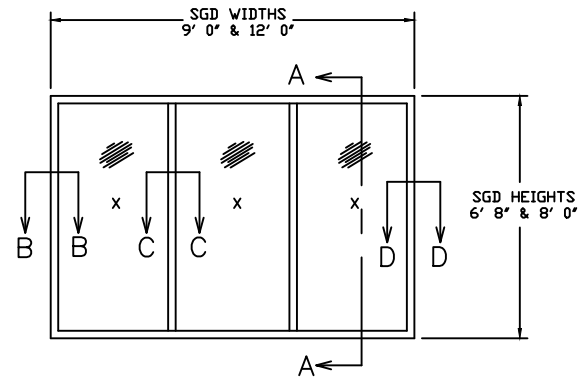
- (1) THIS PRODUCT IS DESIGNED TO COMPLY WITH THE FLORIDA BUILDING CODE 8TH EDITION (2023).
- (2) SHIM AS REQ'D AT EACH SET OF INSTALLATION ANCHORS USING LOAD BEARING SHIMS. MAX. ALLOWABLE SHIM STACK TO BE 1/4". USE SHIMS WHERE SPACE GREATER THAN 1/16" IS PRESENT.
- (3) DOOR MATERIAL : 6063-T5 ALUMINUM.
- (4) 1/4" DIA. CONCRETE SREW ANCHORS MUST BE OF SUFFICIENT LENGTH TO ACHIEVE A MIN. EMBEDMENT OF 1 1/4" INTO CONCRETE OR MASONRY FOR 1 X WOOD BUCK OR A MIN. EMBEDMENT OF 1 1/4" INTO SOLID WOOD FOR 2 X BUCK OR WOOD FRAMED OPENINGS (GREATER THAN 1 3/8" THICK).
- (5) MAX. ALLOWABLE SPACING OF 1/4" DIA. CONCRETE SCREWS, WITHIN 6" FROM EACH CORNER 13-13/16" ACROSS HEAD & SILL, 10-15/16" ALONG JAMBS AND 7-3/4" ON HOOK STRIP.
- (6) ALL FACTORY APPLIED HOLES IN FRAME MEMBERS NOT DESIGNATED FOR CONCRETE SCREW ANCHORS SHOULD BE FILLED WITH #12 SCREWS OF SUFFICIENT LENGTH TO ACHIEVE A MIN. EMBEDMENT OF 1-1/2" INTO WOOD BUCK.
- (7) USE LATEX CAULK OR EQUIVALENT FOR PERIMETER SEAL AROUND EXTERIOR OF DOOR.
- (8) WHEN INSTALLING INTO STEEL OR ALUMINUM, #12 SMS MUST HAVE SUFFICIENT LENGTH SO THAT THERE IS FULL THREAD ENGAGEMENT THROUGH THE METAL.
- (9) IF EXACT DOOR SIZE IS NOT LISTED IN ANCHOR CHART, USE THE NEXT SIZE LARGER DOOR FOR ANCHOR QUANTY.
- (10) FOR POCKET DOOR SIZES, USE CLOSEST BY-PASS DOOR SIZE TO SIZE OF FINISHED OPENING.
- (11) GLASS THICKNESS MAY VARY PER ASTM E-1300 GLASS CHART REQUIREMENTS. SINGLE GLAZED SHOWN, INSULATED GLASS ALSO QUALIFIED.
- (12) JAMB / SILL CORNERS AND ALL ANCHORS TO BE SEALED WITH SMALL JOINT SEAM SEALANT.
- (13) ALL INSTALLATION ANCHORS MUST BE MADE OF A CORROSION RESISTANT MATERIAL OR COATING.
- (14) NOT ALL CONFIGURATIONS LISTED ON ANCHOR CHART ARE SHOWN ON THIS DRAWING. HOWEVER, INSTALLATION SECTION A-A & B-B APPLY TO ALL CONFIGURATIONS.
- (15) NAMI NUMBER FOR 75R TEMPERED GSD IS N1006716-R3.

WINDOW CRAFTSMEN, INC. 6031 CLARK CENTER AVE. SARASOTA, FLORIDA 34238		
TITLE: 75R GLASS SLIDING DOORS ALUMINUM BY-PASS/CENTER MEET/POCKET WITH TEMPERED GLASS ANCHOR TABLE AND NOTES		
ENGINEER: MARK A. SMITH	DRAWN BY: MAS	DATE: 12/4/20
DISCIPLINE: CIVIL	SCALE: N.T.S.	DWG. NO. WCI-SGD011A
FL. REG. NO.: 55511	REV. LETTER: A	SHEET 1

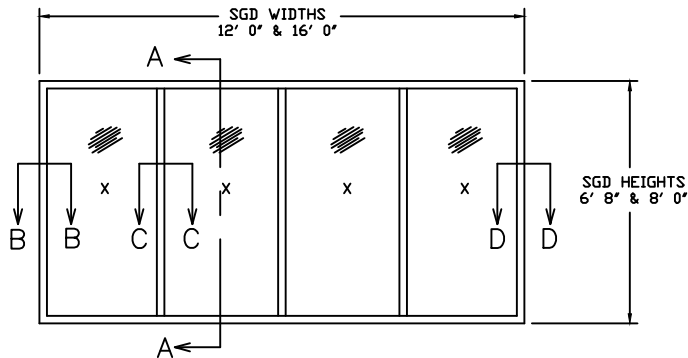
A	F.B.C. 8TH ED.	1/2/24
---	----------------	--------



**2 PANEL SLIDING GLASS DOOR  
XX CONFIGURATION**



**3 PANEL SLIDING GLASS DOOR  
XXX CONFIGURATION**

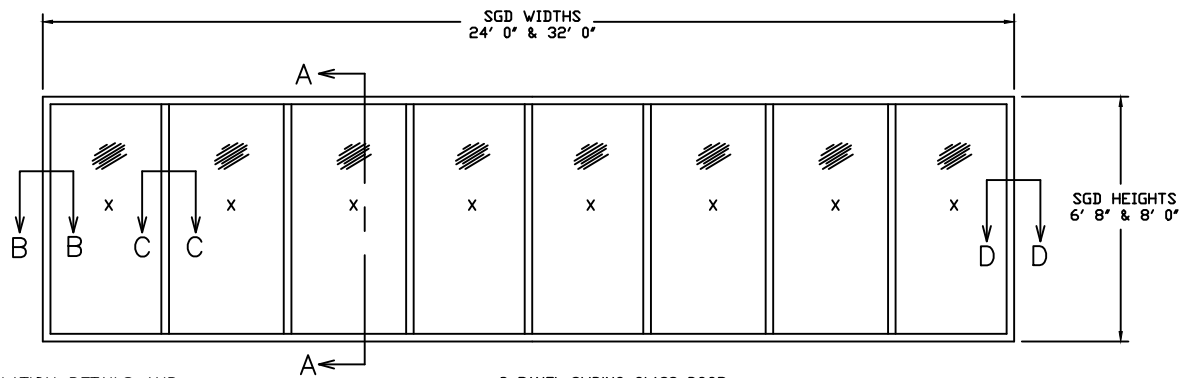
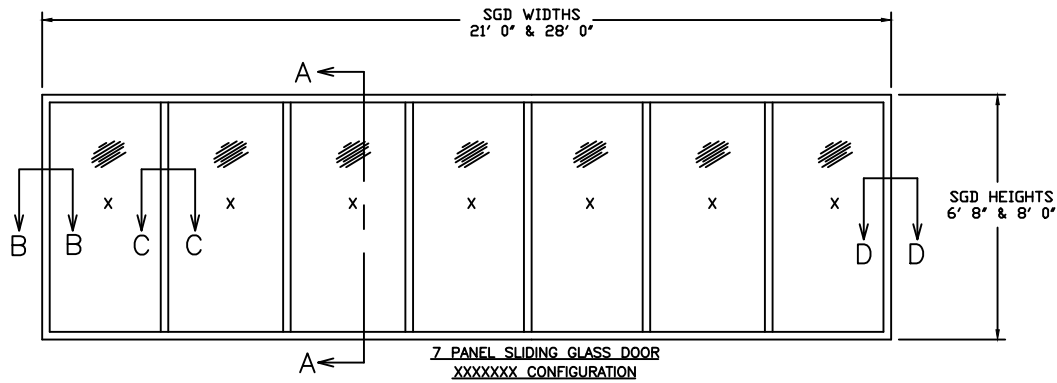
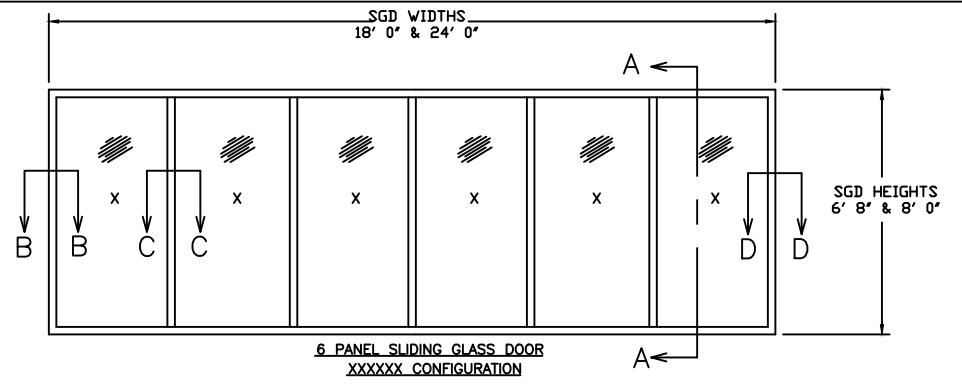
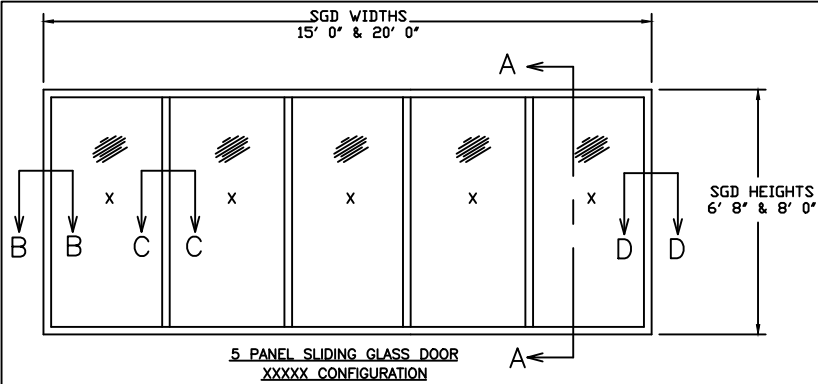


**4 PANEL SLIDING GLASS DOOR  
XXXX CONFIGURATION**

FOR INSTALLATION DETAILS AND  
SECTIONS A-A, B-B, C-C AND D-D SEE SHEETS 4, 5, AND 6

WINDOW CRAFTSMEN, INC. 6031 CLARK CENTER AVE. SARASOTA, FLORIDA 34238		
TITLE: 75R GLASS SLIDING DOORS ALUMINUM BY-PASS/CENTER MEET/POCKET WITH TEMPERED GLASS 2, 3 & 4 PANEL ELEVATIONS		
ENGINEER: MARK A. SMITH	DRAWN BY: MAS	DATE: 12/8/20
DISCIPLINE: CIVIL	SCALE: N.T.S.	DWG. NO. WCI-SGD011A
FL. REG. NO.: 55511	REV. LETTER: A	SHEET 2

A F.B.C. 8TH ED. 1/2/24



FOR INSTALLATION DETAILS AND  
SECTIONS A-A, B-B, C-C AND D-D SEE SHEETS 4, 5, AND 6

8 PANEL SLIDING GLASS DOOR  
XXXXXXXXX CONFIGURATION

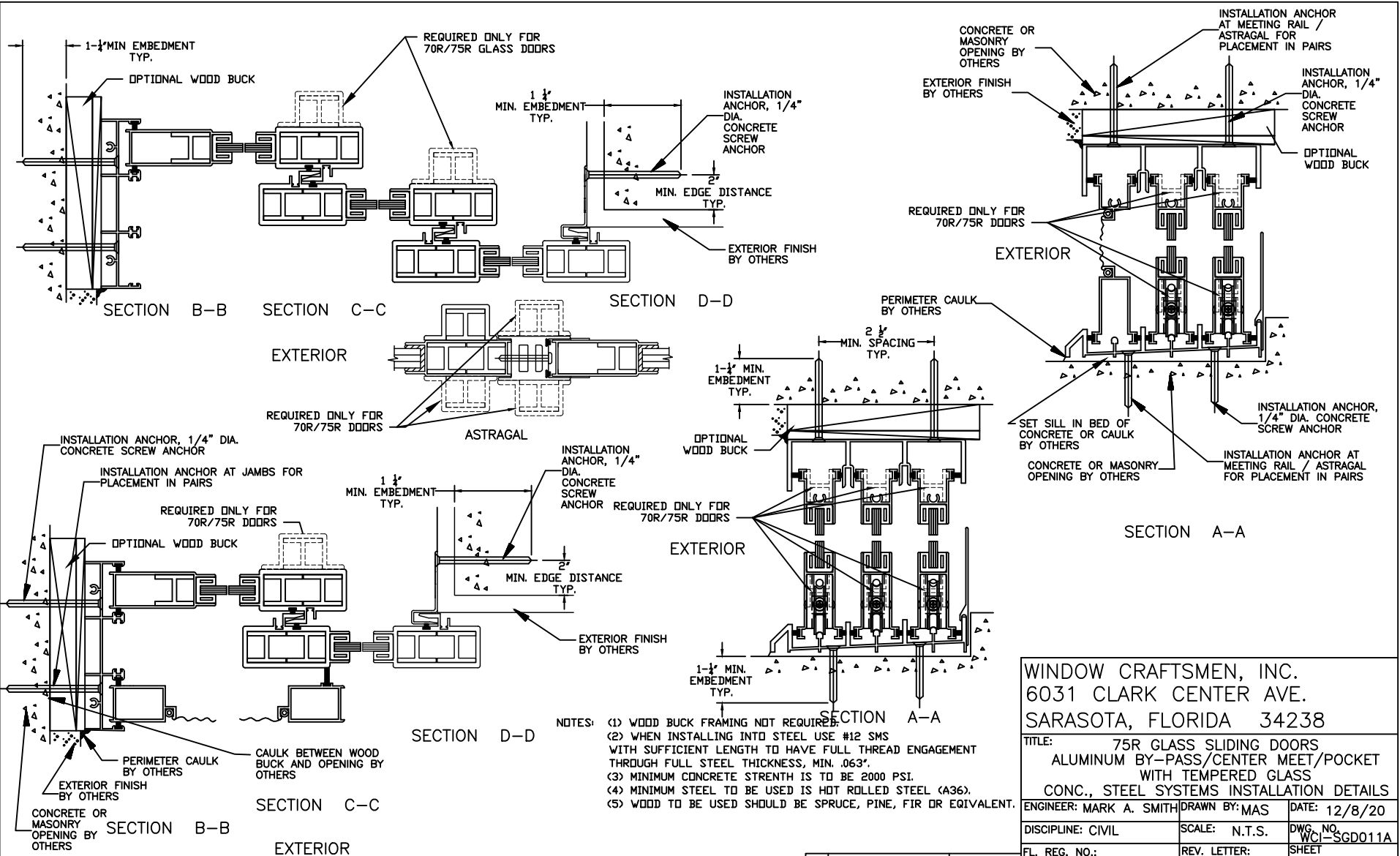
WINDOW CRAFTSMEN, INC.  
6031 CLARK CENTER AVE.  
SARASOTA, FLORIDA 34238

TITLE: 75R GLASS SLIDING DOORS  
ALUMINUM BY-PASS/CENTER MEET/POCKET  
WITH TEMPERED GLASS  
5, 6, 7 AND 8 PANEL ELEVATIONS

ENGINEER: MARK A. SMITH	DRAWN BY: MAS	DATE: 12/8/20
DISCIPLINE: CIVIL	SCALE: N.T.S.	DWG. NO. WCI-SGD011A
FL. REG. NO.: 55511	REV. LETTER: A	SHEET 3

A F.B.C. 8TH ED. 1/2/24

PREPARED BY MARK A. SMITH 3738 KINGSWOOD DRIVE, SARASOTA, FL 34232 PH. 941-343-0008



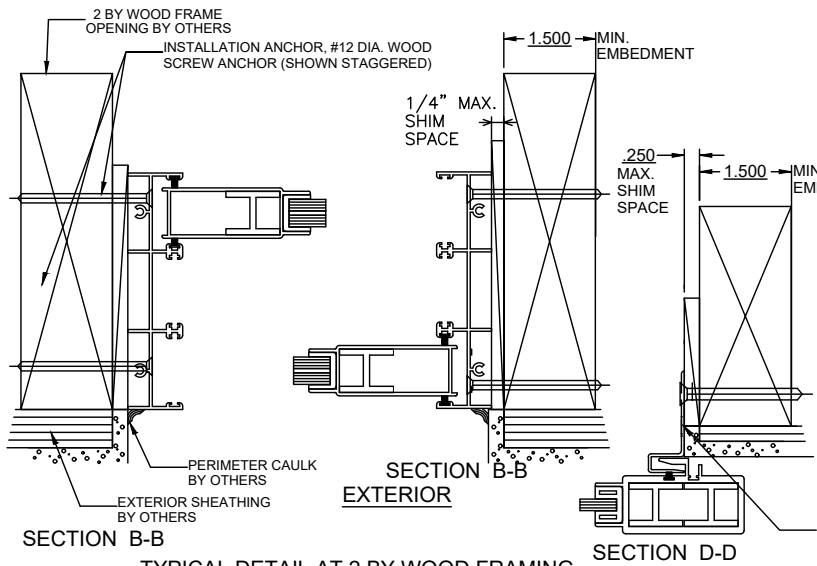
WINDOW CRAFTSMEN, INC.  
 6031 CLARK CENTER AVE.  
 SARASOTA, FLORIDA 34238

TITLE: 75R GLASS SLIDING DOORS  
 ALUMINUM BY-PASS/CENTER MEET/POCKET  
 WITH TEMPERED GLASS  
 CONC., STEEL SYSTEMS INSTALLATION DETAILS

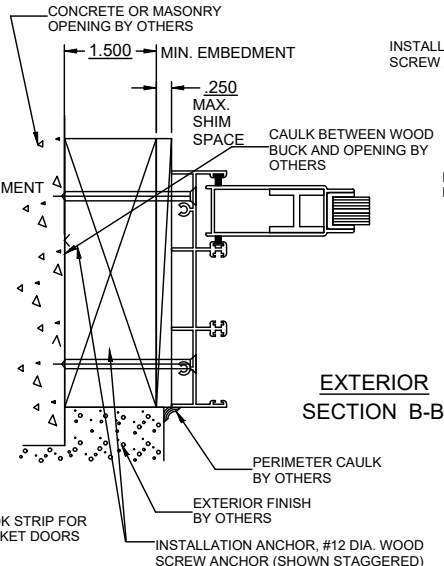
ENGINEER: MARK A. SMITH	DRAWN BY: MAS	DATE: 12/8/20
DISCIPLINE: CIVIL	SCALE: N.T.S.	DWG. NO. WCI-SGD011A
FL. REG. NO.: 55511	REV. LETTER: A	SHEET 4

- NOTES:
- (1) WOOD BUCK FRAMING NOT REQUIRED.
  - (2) WHEN INSTALLING INTO STEEL USE #12 SMS WITH SUFFICIENT LENGTH TO HAVE FULL THREAD ENGAGEMENT THROUGH FULL STEEL THICKNESS, MIN. .063".
  - (3) MINIMUM CONCRETE STRENGTH IS TO BE 2000 PSI.
  - (4) MINIMUM STEEL TO BE USED IS HOT ROLLED STEEL (A36).
  - (5) WOOD TO BE USED SHOULD BE SPRUCE, PINE, FIR OR EQUIVALENT.

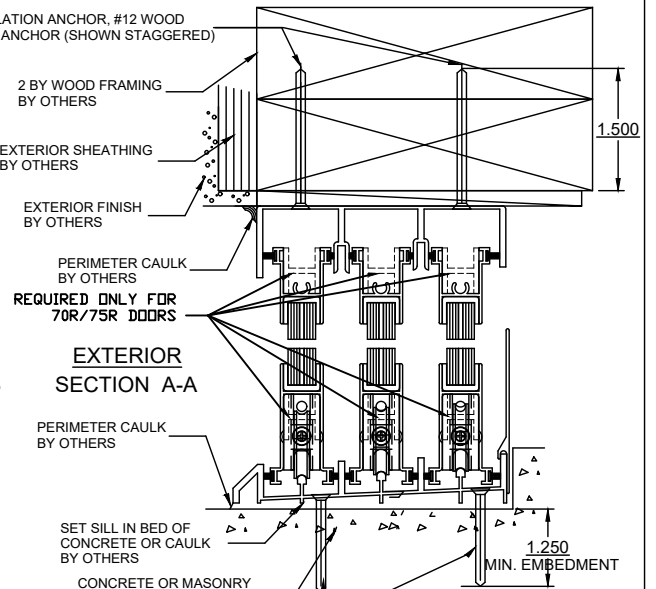
A F.B.C. 8TH ED. 1/2/24



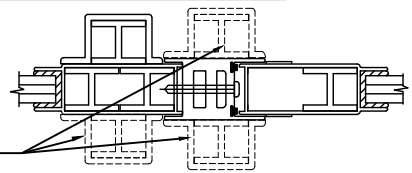
TYPICAL DETAIL AT 2 BY WOOD FRAMING



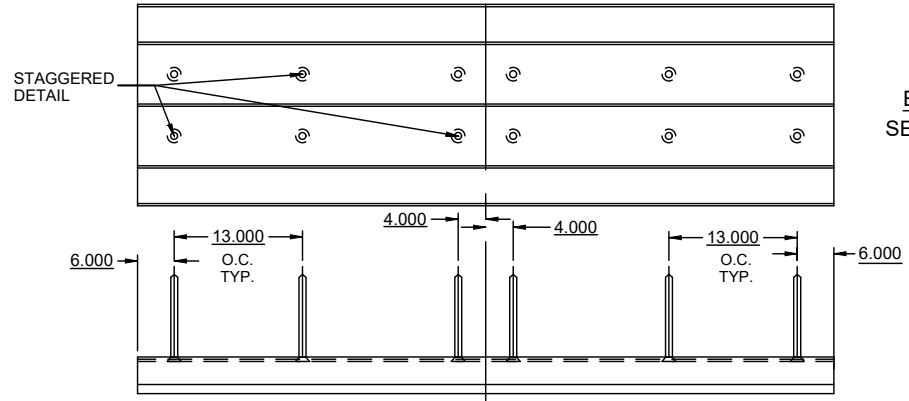
TYPICAL DETAIL AT 2 X BUCK



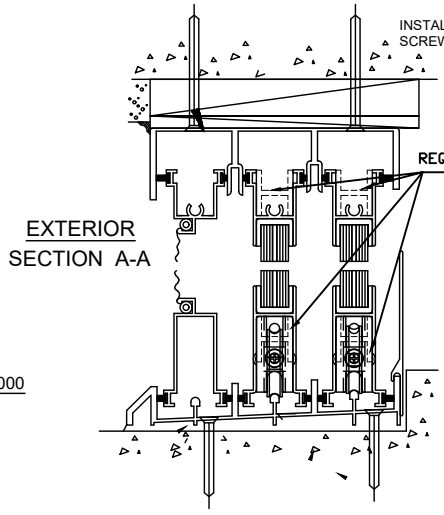
TYPICAL DETAIL AT 2 BY WOOD FRAMING



REQUIRED ONLY FOR 70R/75R DOORS



TYPICAL ANCHOR DETAIL AT INTERLOCK OR ASTRAGAL

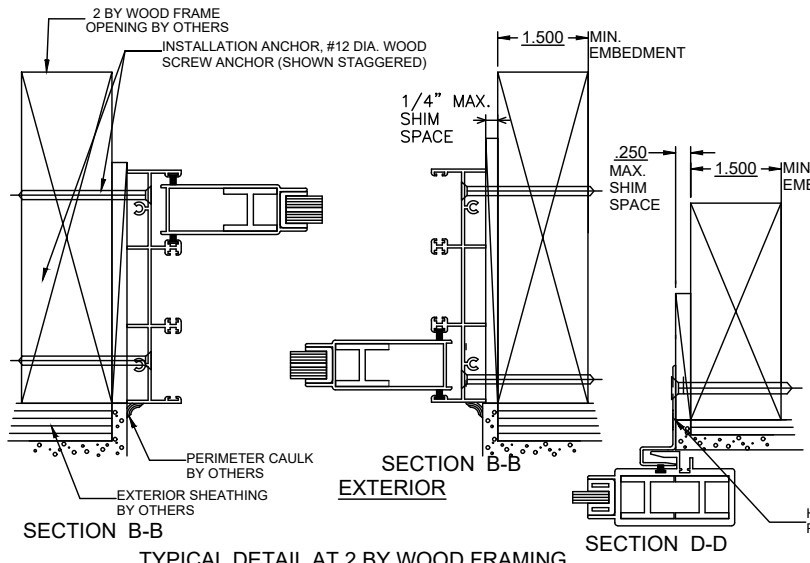


EXTERIOR SECTION A-A

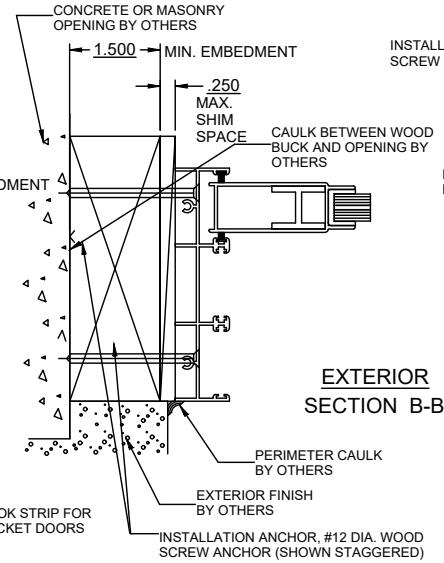
- REQUIRED ONLY FOR 70R/75R DOORS
- NOTES: (1) WOOD BUCK FRAMING NOT REQUIRED.  
 (2) MINIMUM CONCRETE STRENGTH IS TO BE 2000 PSI.  
 (3) WOOD TO BE USED SHOULD BE SPRUCE, PINE, FIR OR EQUIVALENT.

WINDOW CRAFTSMEN, INC. 6031 CLARK CENTER AVE. SARASOTA, FLORIDA 34238		
TITLE: 75R GLASS SLIDING DOORS ALUMINUM BY-PASS/CENTER MEET/POCKET WITH TEMPERED GLASS WOOD FRAMING INSTALLATION DETAILS		
ENGINEER: MARK A. SMITH	DRAWN BY: MAS	DATE: 12/8/20
DISCIPLINE: CIVIL	SCALE: N.T.S.	DWG. NO. WCI-SGD011A
FL. REG. NO.: 55511	REV. LETTER: A	SHEET 5

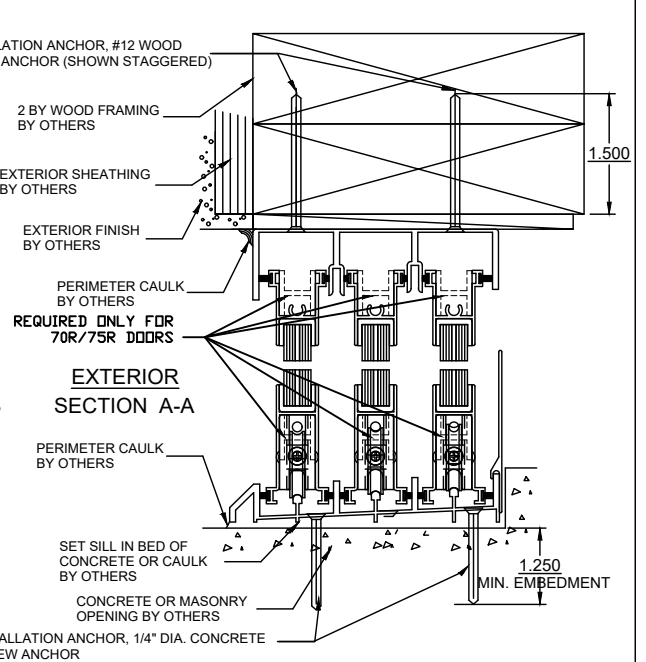
A	F.B.C. 8TH ED.	1/2/24
---	----------------	--------



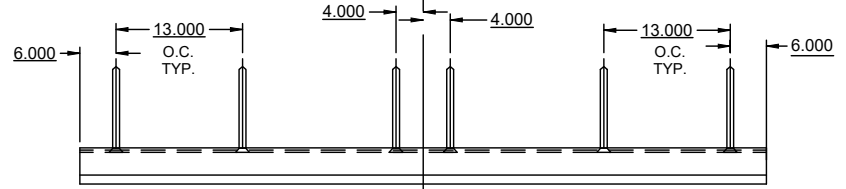
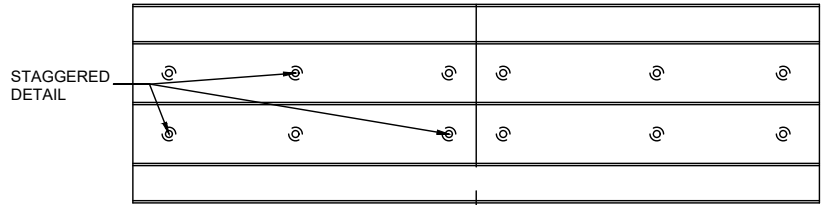
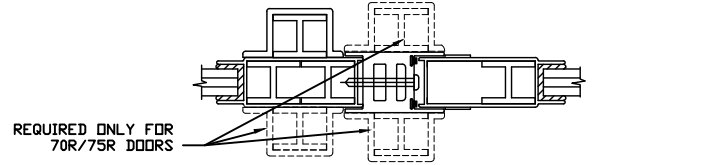
TYPICAL DETAIL AT 2 BY WOOD FRAMING



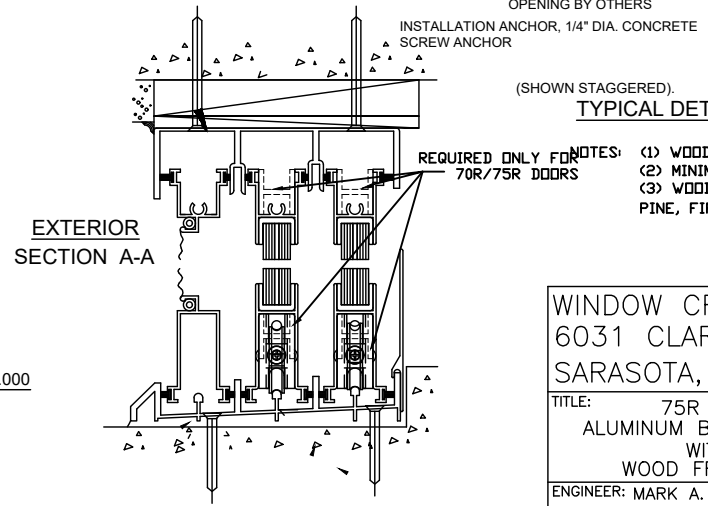
TYPICAL DETAIL AT 2 X BUCK



(SHOWN STAGGERED). TYPICAL DETAIL AT 2 BY WOOD FRAMING



TYPICAL ANCHOR DETAIL AT INTERLOCK OR ASTRAGAL



EXTERIOR SECTION A-A

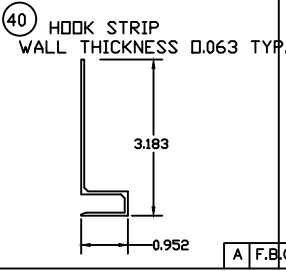
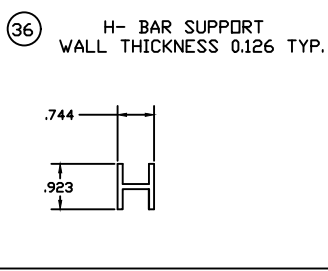
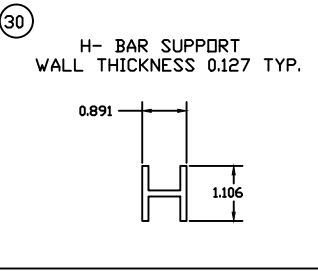
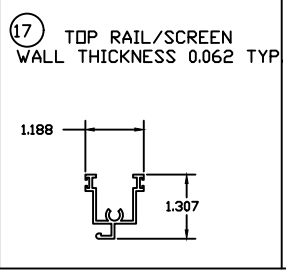
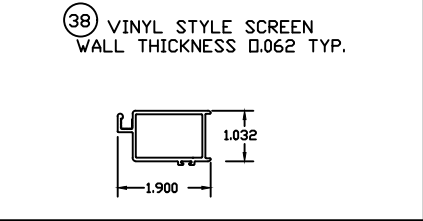
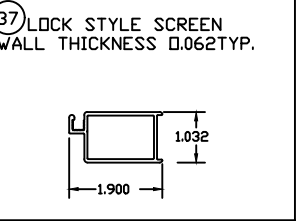
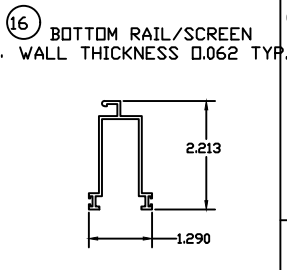
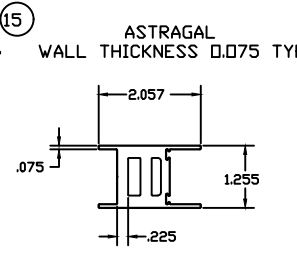
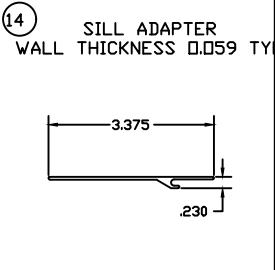
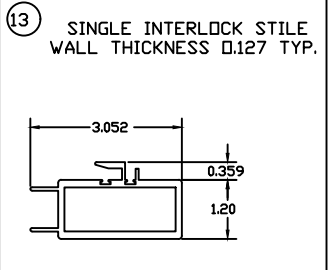
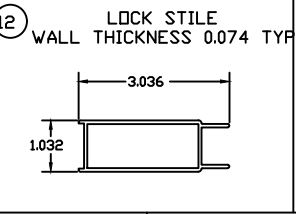
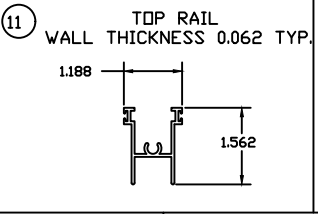
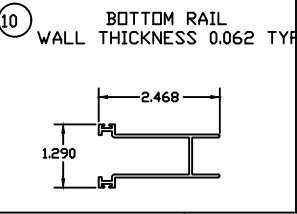
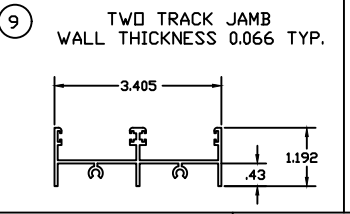
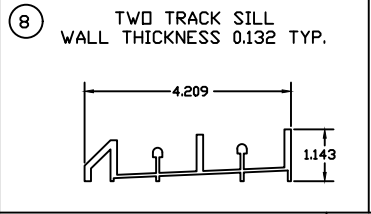
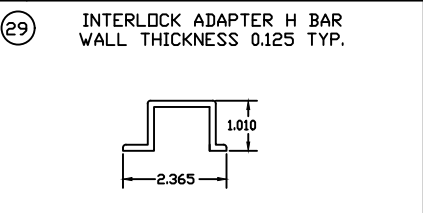
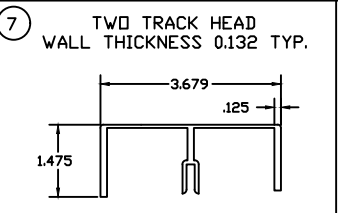
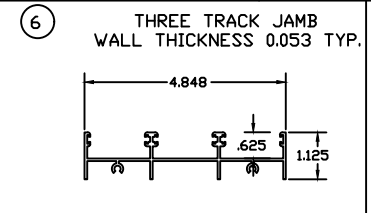
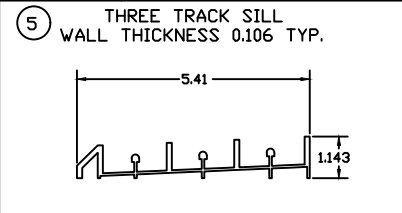
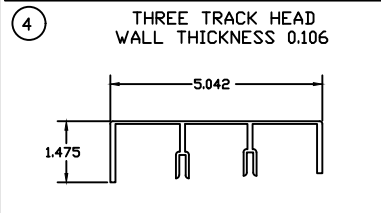
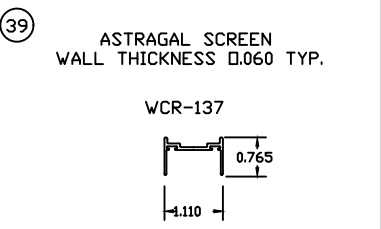
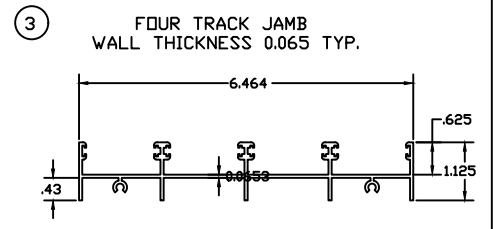
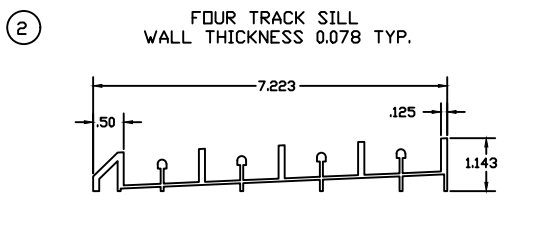
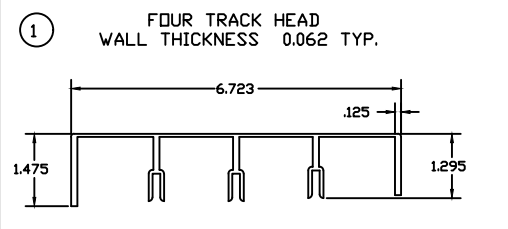
- REQUIRED ONLY FOR 70R/75R DOORS
- NOTES: (1) WOOD BUCK FRAMING NOT REQUIRED.  
 (2) MINIMUM CONCRETE STRENGTH IS TO BE 2000 PSI.  
 (3) WOOD TO BE USED SHOULD BE SPRUCE, PINE, FIR OR EQUIVALENT.

WINDOW CRAFTSMEN, INC.  
 6031 CLARK CENTER AVE.  
 SARASOTA, FLORIDA 34238

TITLE: 75R GLASS SLIDING DOORS  
 ALUMINUM BY-PASS/CENTER MEET/POCKET  
 WITH TEMPERED GLASS  
 WOOD FRAMING INSTALLATION DETAILS

ENGINEER: MARK A. SMITH	DRAWN BY: MAS	DATE: 12/8/20
DISCIPLINE: CIVIL	SCALE: N.T.S.	DWG. NO. WCI-SGD011A
FL. REG. NO.: 55511	REV. LETTER: A	SHEET 5

A F.B.C. 8TH ED. 1/2/24



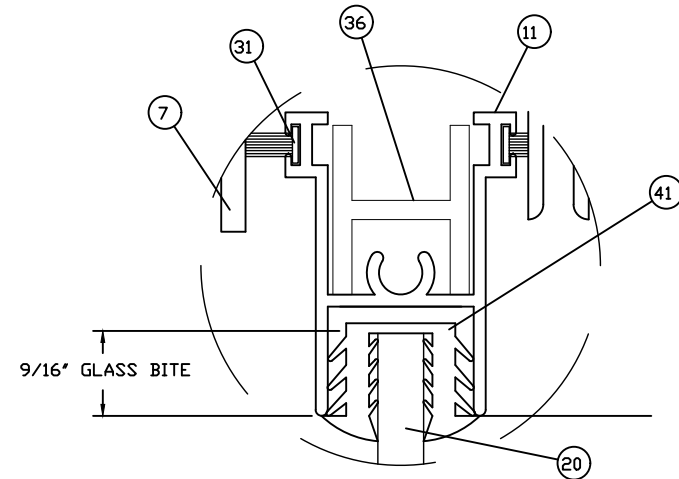
WINDOW CRAFTSMEN, INC.  
6031 CLARK CENTER AVE.  
SARASOTA, FLORIDA 34238

TITLE: 75R GLASS SLIDING DOORS  
ALUMINUM BY-PASS/CENTER MEET/POCKET  
WITH TEMPERED GLASS  
EXTRUSIONS

ENGINEER: MARK A. SMITH	DRAWN BY: MAS	DATE: 12/8/20
DISCIPLINE: CIVIL	SCALE: N.T.S.	DWG. NO. WCI-SGD011A
FL. REG. NO.: 55511	REV. LETTER: A	SHEET 7

A F.B.C. 8TH ED. 1/2/24

BILL OF MATERIAL				
ITEM NO.	PART NO.	DESCRIPTION	VENDOR	
1	WCR-90499-1	FOUR TRACK HEAD	ALUM. ALLOY 6063-T5	PROFILE
2	WCR-90500-1	FOUR TRACK SILL	ALUM. ALLOY 6063-T5	PROFILE
3	WCR-90501	FOUR TRACK JAMB	ALUM. ALLOY 6063-T5	PROFILE
4	WCR-79670-1	THREE TRACK HEAD	ALUM. ALLOY 6063-T5	PROFILE
5	WCR-79671-1	THREE TRACK SILL	ALUM. ALLOY 6063-T5	PROFILE
6	WCR-79672	THREE TRACK JAMB	ALUM. ALLOY 6063-T5	PROFILE
7	WCR-90496-1	TWO TRACK HEAD	ALUM. ALLOY 6063-T5	PROFILE
8	WCR-90497-1	TWO TRACK SILL	ALUM. ALLOY 6063-T5	PROFILE
9	WCR-90498	TWO TRACK JAMB	ALUM. ALLOY 6063-T5	PROFILE
10	WCR-90785	BOTTOM RAIL	ALUM. ALLOY 6063-T5	PROFILE
11	WCR-91060	TOP RAIL	ALUM. ALLOY 6063-T6	PROFILE
12	WCR-110	LOCK STILE	ALUM. ALLOY 6063-T6	PROFILE
13	WCR-111	SINGLE INTERLOCK STILE	ALUM. ALLOY 6063-T6	PROFILE
14	WCR-112	SILL ADAPTER	ALUM. ALLOY 6063-T6	PROFILE
15	WCR-038A	ASTRAGAL	ALUM. ALLOY 6063-T5	PROFILE
16	WCR-114	BOTTOM RAIL SCREEN	ALUM. ALLOY 6063-T5	PROFILE
17	WCR-115	TOP RAIL SCREEN	ALUM. ALLOY 6063-T5	PROFILE
18		SPLINE, 200 ROUND SCREEN		ALUMINUM SPECIALTIES
19	WINCR-1648-01	DOOR LOCK SET		AMERBURY
20		1/4" TEMPERED		OLD CASTLE
21	PJS-7623-38	SINGLE ROLLER		SULLIVAN ASSOCIATES
22	FLB229999	DOOR BUMPER		FRANK LOWE RUBBER
23	SGD-1800	PANEL BUMPER		COMMERCIAL PLASTICS
24		#14 X 1", PANEL SCREW -1		ACTION BOLT
25		#14 X 1" TYPE 23, PANEL SCREW-2		ACTION BOLT
26		8-32 X 3/8", KEEPER SCREW		ACTION BOLT
27		#12 X 1-3/4", INSTALLATION/ASTRAGAL SCREW		ACTION BOLT
28		#12 X 1-1/4" SQ. TYPE B, MAINFRAME SCREW		ACTION BOLT
29	WCR-100	INTERLOCK ADAPTER H BAR	ALUM. ALLOY 6063-T6	PROFILE
30	WCR-002A	H-BAR SUPPORT	ALUM. ALLOY 6063-T5	PROFILE
31	W23251NW	POLYPILE 0.187 X 0.250 FIN		UL TRAFAB
32	W13251NW	POLYPILE 0.187 X 0.250		UL TRAFAB
33	TP-1023	SETTING BLOCK		TEAM PLASTICS
34	TP-433	VINYL GLAZING SCREEN		TEAM PLASTICS
35	TP-915	VINYL INTERLOCK		TEAM PLASTICS
36	WCR-007	H-BAR SUPPORT	ALUM. ALLOY 6063-T6	PROFILE
37	WCR-116	LOCK STILE SCREEN		PROFILE
38	WCR-117	VINYL STYLE SCREEN		PROFILE
39	WCR-137	ASTRAGAL SCREEN		PROFILE
40	62490W13	HOOK STRIP		NUAIR
41	TP-162	1/4" MARINE GLAZING		TEAM PLASTICS
42	WC-118	SECURITY CLIP		RIMER & RIMER
43	PD300WHUC-S1	SCREEN HANDLE SET		SULLIVAN ASSOCIATES
44	2537-SS	KEEPER		SULLIVAN ASSOCIATES



GLAZING DETAIL A

WINDOW CRAFTSMEN, INC. 6031 CLARK CENTER AVE. SARASOTA, FLORIDA 34238		
TITLE: 75R GLASS SLIDING DOORS ALUMINUM BY-PASS/CENTER MEET/POCKET WITH TEMPERED GLASS BILL OF MATERIALS		
ENGINEER: MARK A. SMITH	DRAWN BY: MAS	DATE: 12/8/20
DISCIPLINE: CIVIL	SCALE: N.T.S.	DWG. NO. WCI-SGD011A
FL. REG. NO.: 55511	REV. LETTER: A	SHEET 8

A F.B.C. 8TH ED. 1/2/24