

50R IMPACT GLASS ANCHOR TABLE

CONFIG.	FRAME WIDTH	FRAME HEIGHT	NUMBER OF ANCHORS			DESIGN	DESIGN
			ACROSS HEAD & SILL	ACROSS JAMB	ACROSS HOOK STRIP	PRESSURE NEG.	PRESSURE POS.
XX	6'	80.00	10	10	8	-50.00	+50.00
	6'	96.00	10	12	9	-50.00	+50.00
XX	8"	80.00	14	10	8	-50.00	+50.00
	8'	96.00	14	12	9	-50.00	+50.00
XXX	9'	80.00	16	10	8	-50.00	+50.00
	9'	96.00	16	12	9	-50.00	+50.00
XXX	12'	80.00	18	10	8	-50.00	+50.00
	12'	96.00	18	12	9	-50.00	+50.00
XXXX	12'	80.00	18	10	8	-50.00	+50.00
	12'	96.00	18	12	9	-50.00	+50.00
XXXX	16'	80.00	24	10	8	-50.00	+50.00
	16'	96.00	24	12	9	-50.00	+50.00

ANCHOR DETAILS

APPLICATION	ANCHOR	EDGE DIST.	MIN. EMBEDMENT	MAX. SHIM SPACE
MASONRY W/1 BY WOOD BUCK	1/4" CONC.	2.0"	1.25"	0.25"
MASONRY W/2 BY WOOD BUCK	#12 WOOD	1.5"	1.50"	0.25"
MASONRY	1/4" CONC.	2.0"	1.25"	0.25"
METAL	#12 SMS	0.75"	.045" (THICK)	0.25"

NOTES ON ANCHOR CALCULATIONS:

- (1) CALCULATIONS DERIVED FROM TESTED UNIT, TEST REPORTS # NCTL-210-3220-1C & NCTL-210-3112-1A; NAMI NI008056.
- (2) IMPACT GLASS TESTED UNIT WAS "XXXX", 192" x 96", USING 9/16" (14mm) GLASS CONSISTING OF TWO 1/4" (35MM) EXTERIOR LAYERS OF HEAT STRENGTHENED GLASS AND A .090 (2.286MM) SOLUTIA PVB INTERLAYER.
- (3) THE QUANTITY OF ANCHORS ARE FOR EACH SIDE, NOT TOTAL QUANTITY.
- (4) MAX. SPACING AT HEAD OR SILL CORNER IS 6". SPACING IS WITH ANCHORS IN PAIRS
- (5) MAX. SPACING AT JAMB CORNER IS 5-1/2". SPACING IS WITH ANCHORS IN PAIRS
- (6) MAX. SPACING ACROSS HEAD OR SILL IS 16-3/8". SPACING IS WITH ANCHORS IN PAIRS
- (7) MAX. SPACING ACROSS JAMBS IS 17". SPACING IS WITH ANCHORS IN PAIRS
- (8) MAX. SPACING ACROSS HOOK STRIP IS 11".

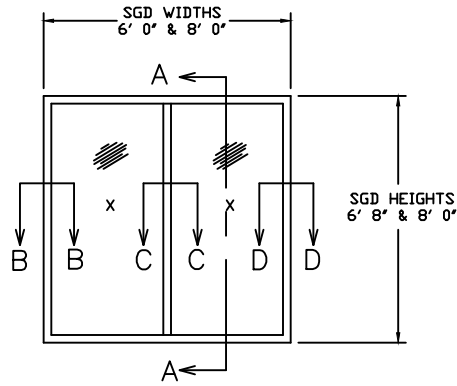
NOTES:

- (1) THIS PRODUCT IS DESIGNED TO COMPLY WITH THE FLORIDA BUILDING CODE 8TH EDITION (2023) INCLUDING HVHZ.
- (2) SHIM AS REQ'D AT EACH SET OF INSTALLATION ANCHORS USING LOAD BEARING SHIMS. MAX. ALLOWABLE SHIM STACK TO BE 1/4". USE SHIMS WHERE SPACE GREATER THAN 1/16" IS PRESENT.
- (3) DOOR MATERIAL : 6063-T5 ALUMINUM.
- (4) 1/4" DIA. CONCRETE SREW ANCHORS MUST BE OF SUFFICIENT LENGTH TO ACHIEVE A MIN. EMBEDMENT OF 1 1/4" INTO CONCRETE OR MASONRY FOR 1 X WOOD BUCK OR A MIN. EMBEDMENT OF 1 1/4" INTO SOLID WOOD FOR 2 X BUCK OR WOOD FRAMED OPENINGS (GREATER THAN 1 3/8" THICK).
- (5) MAX. ALLOWABLE SPACING OF 1/4" DIA. CONCRETE SCREWS, WITHIN 6" FROM EACH CORNER, 16-3/8" ACROSS HEAD & SILL, 17" ALONG JAMBS AND 11" ON HOOK STRIP.
- (6) ALL FACTORY APPLIED HOLES IN FRAME MEMBERS NOT DESIGNATED FOR CONCRETE SCREW ANCHORS SHOULD BE FILLED WITH #12 SCREWS OF SUFFICIENT LENGTH TO ACHIEVE A MIN. EMBEDMENT OF 1-1/2" INTO WOOD BUCK.
- (7) USE LATEX CAULK OR EQUIVALENT FOR PERIMETER SEAL AROUND EXTERIOR OF DOOR.
- (8) WHEN INSTALLING INTO STEEL OR ALUMINUM, #12 SMS MUST HAVE SUFFICIENT LENGTH SO THAT THERE IS FULL THREAD ENGAGEMENT THROUGH THE METAL.
- (9) IF EXACT DOOR SIZE IS NOT LISTED IN ANCHOR CHART, USE THE NEXT SIZE LARGER DOOR FOR ANCHOR QUANTY.
- (10) FOR POCKET DOOR SIZES, USE CLOSEST BY-PASS DOOR SIZE TO SIZE OF FINISHED OPENING.
- (11) GLASS COMPLIES WITH ASTM E-1300 GLASS CHART REQUIREMENTS. SEE SHEET 7 FOR GLAZING DETAIL.
- (12) JAMB / SILL CORNERS AND ALL ANCHORS TO BE SEALED WITH SMALL JOINT SEAM SEALANT.
- (13) ALL INSTALLATION ANCHORS MUST BE MADE OF A CORROSION RESISTANT MATERIAL OR COATING.
- (14) NOT ALL CONFIGURATIONS LISTED ON ANCHOR CHART ARE SHOWN ON THIS DRAWING. HOWEVER, INSTALLATION SECTION A-A & B-B APPLY TO ALL CONFIGURATIONS.

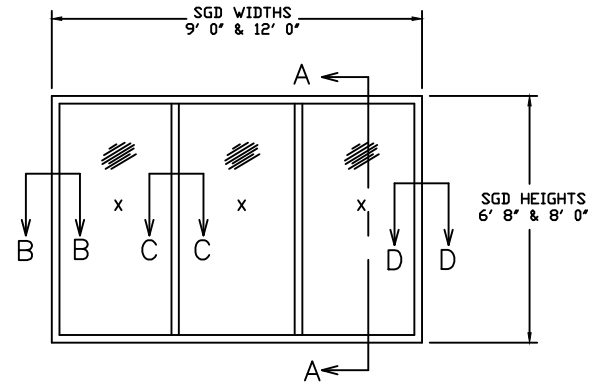
WINDOW CRAFTSMEN, INC.
6031 CLARK CENTER AVE.
SARASOTA, FLORIDA 34238

TITLE: 50R IMPACT GLASS SLIDING DOORS
ALUMINUM BY-PASS/CENTER MEET/POCKET
ANCHOR TABLE AND NOTES

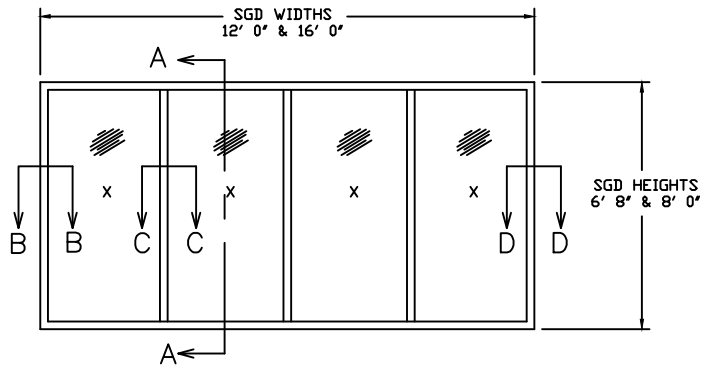
J	FBC 8TH ED	10/19/23	ENGINEER: MARK A. SMITH	DRAWN BY: MAS	DATE: 3/25/11
H	FBC 7TH ED	12/4/20	DISCIPLINE: CIVIL	SCALE: N.T.S.	DWG. NO. WCP-SGD012
G	FBC 6TH ED	11/10/16	FL. REG. NO.: 55511	REV. LETTER: J	SHEET 1
F	FBC 5TH ED	6/5/16			
E	CURRENT FBC	4/17/15			



**2 PANEL SLIDING GLASS DOOR
XX CONFIGURATION**



**3 PANEL SLIDING GLASS DOOR
XXX CONFIGURATION**



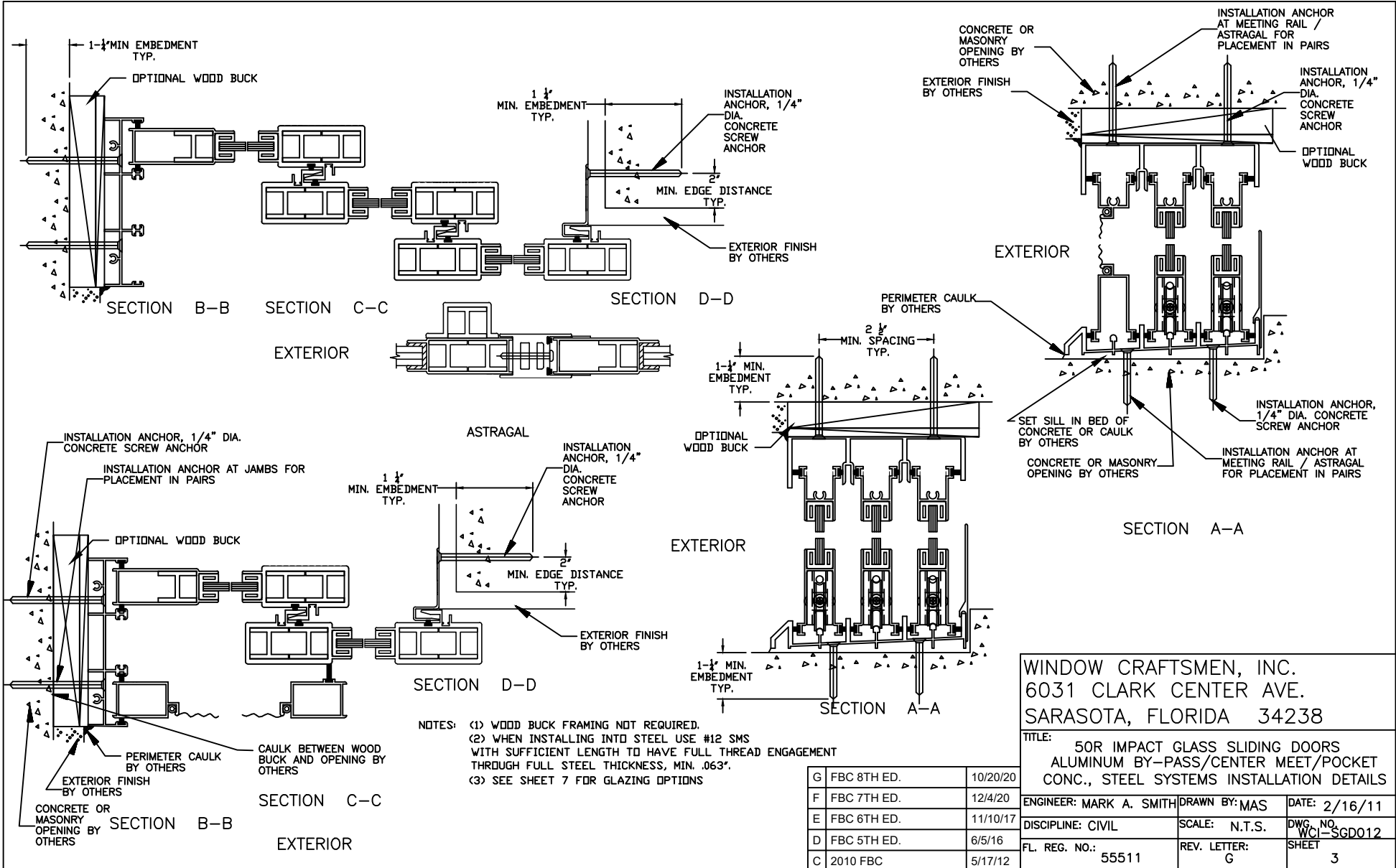
**4 PANEL SLIDING GLASS DOOR
XXXX CONFIGURATION**

FOR INSTALLATION DETAILS AND
SECTIONS A-A, B-B, C-C AND D-D SEE SHEETS 3, 4, AND 5

WINDOW CRAFTSMEN, INC.
6031 CLARK CENTER AVE.
SARASOTA, FLORIDA 34238

TITLE: 50R IMPACT GLASS SLIDING DOORS
ALUMINUM BY-PASS/CENTER MEET/POCKET
2, 3 & 4 PANEL ELEVATIONS

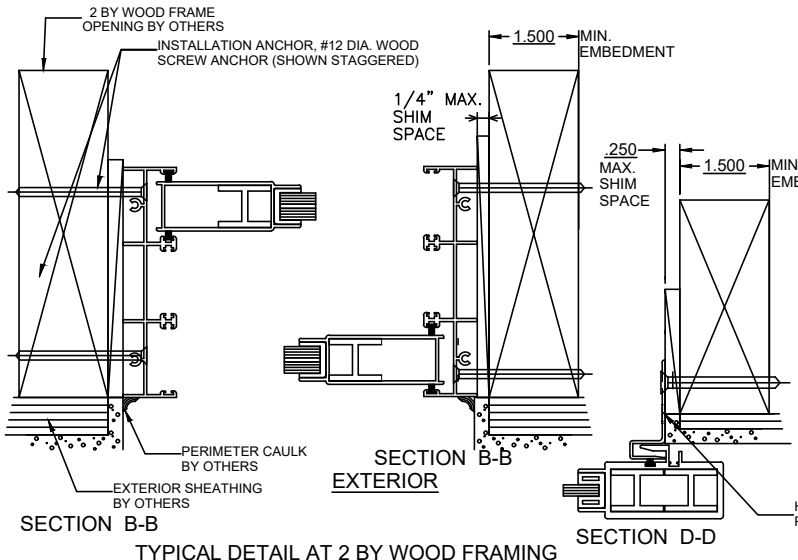
G	FBC 8TH	10/20/23	ENGINEER: MARK A. SMITH	DRAWN BY: MAS	DATE: 2/17/11
F	FBC 7TH	12/4/20	DISCIPLINE: CIVIL	SCALE: N.T.S.	DWG. NO. WCI-SGD012
E	FBC 6TH	11/10/17	FL. REG. NO.: 55511	REV. LETTER: G	SHEET 2
D	FBC 5TH	6/5/16			
C	2010 FBC	5/17/12			



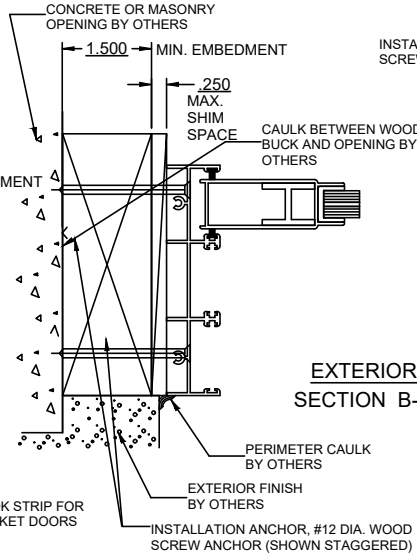
WINDOW CRAFTSMEN, INC.
 6031 CLARK CENTER AVE.
 SARASOTA, FLORIDA 34238

TITLE:
 50R IMPACT GLASS SLIDING DOORS
 ALUMINUM BY-PASS/CENTER MEET/POCKET
 CONC., STEEL SYSTEMS INSTALLATION DETAILS

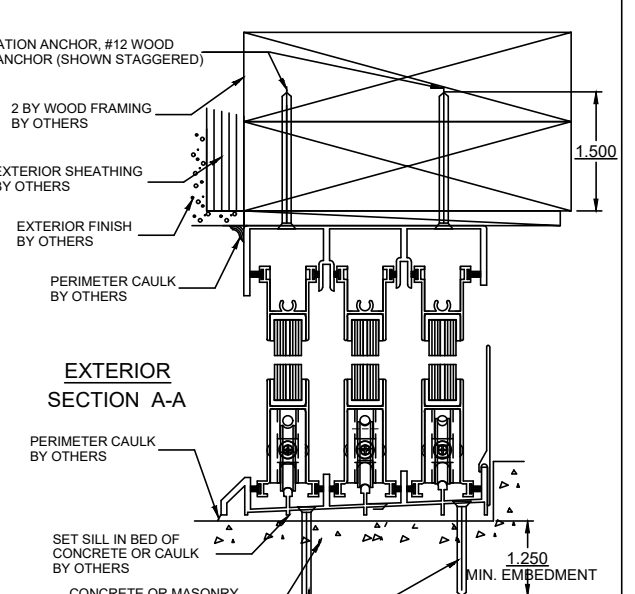
ENGINEER: MARK A. SMITH	DRAWN BY: MAS	DATE: 2/16/11
DISCIPLINE: CIVIL	SCALE: N.T.S.	DWG. NO. WCI-SGD012
FL. REG. NO.: 55511	REV. LETTER: G	SHEET 3



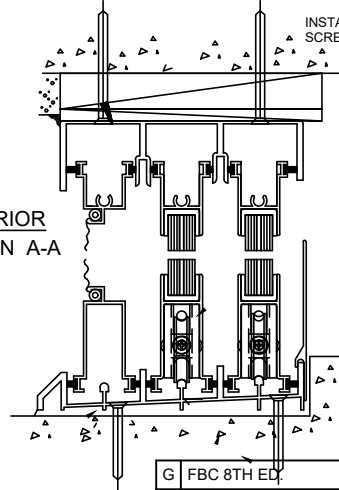
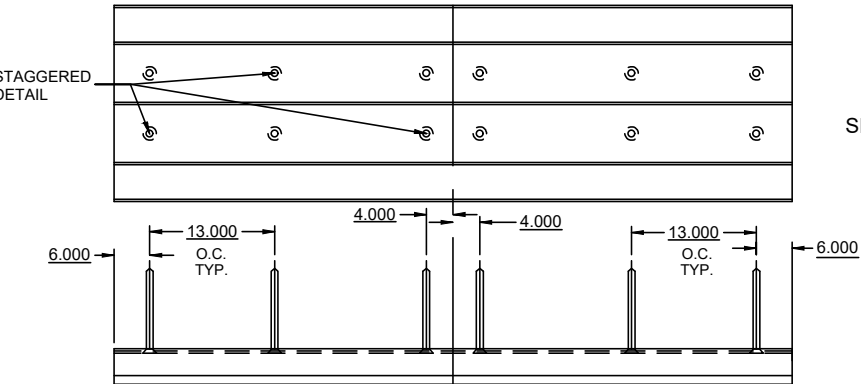
TYPICAL DETAIL AT 2 BY WOOD FRAMING



TYPICAL DETAIL AT 2 X BUCK



TYPICAL DETAIL AT 2 BY WOOD FRAMING

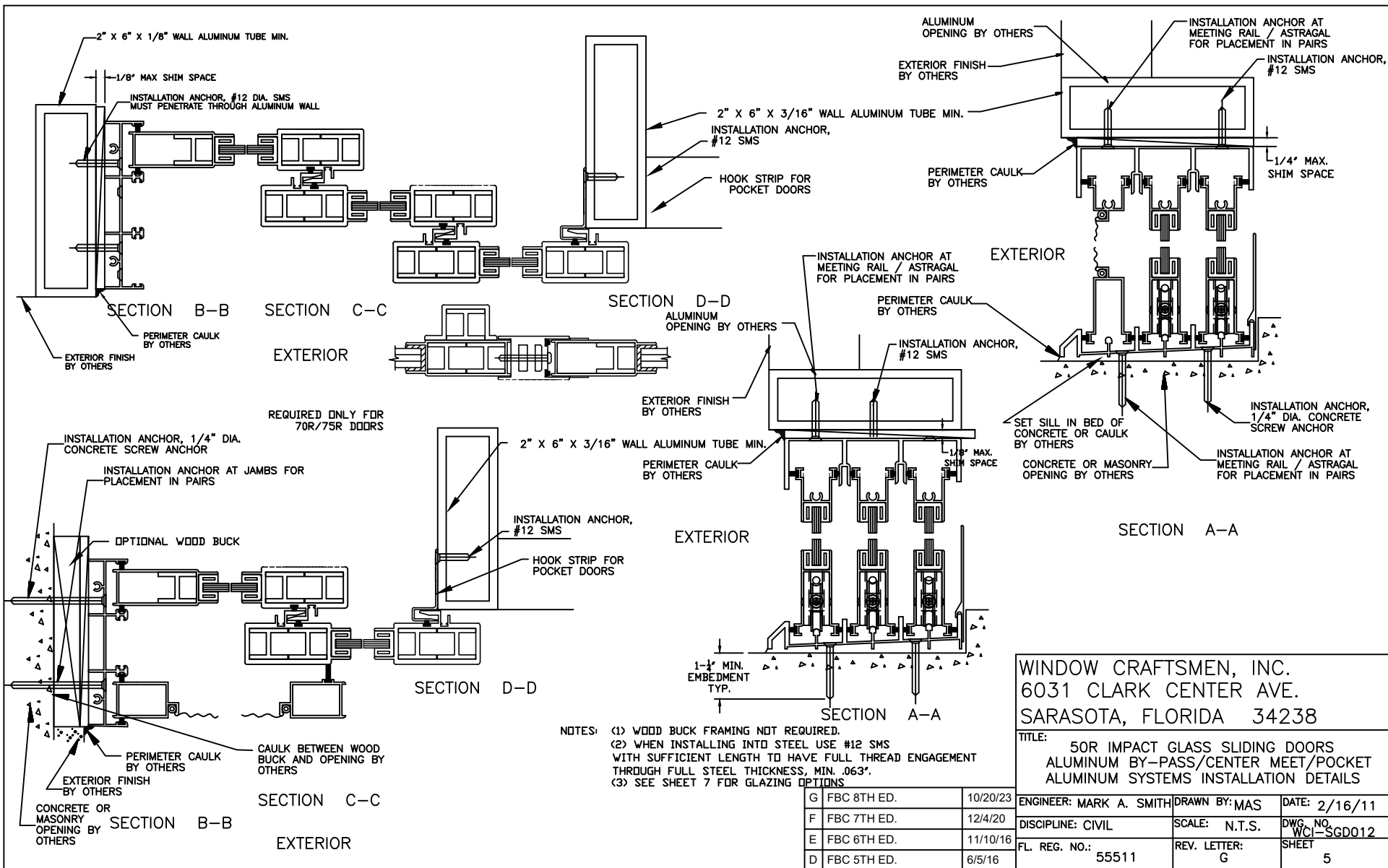


SEE SHEET 7 FOR GLAZING OPTIONS

WINDOW CRAFTSMEN, INC.
 6031 CLARK CENTER AVE.
 SARASOTA, FLORIDA 34238

TITLE: 50R IMPACT GLASS SLIDING DOORS
 ALUMINUM BY-PASS/CENTER MEET/POCKET
 WOOD FRAMING INSTALLATION DETAILS

G	FBC 8TH ED.	10/20/23	ENGINEER: MARK A. SMITH	DRAWN BY: MAS	DATE: 2/18/11
F	FBC 7TH ED.	12/4/20	DISCIPLINE: CIVIL	SCALE: N.T.S.	DWG. NO. WCI-SGD012
E	FBC 6TH ED.	11/10/16	FL. REG. NO.: 55511	REV. LETTER: G	SHEET 4
D	FBC 5TH ED.	6/5/16			

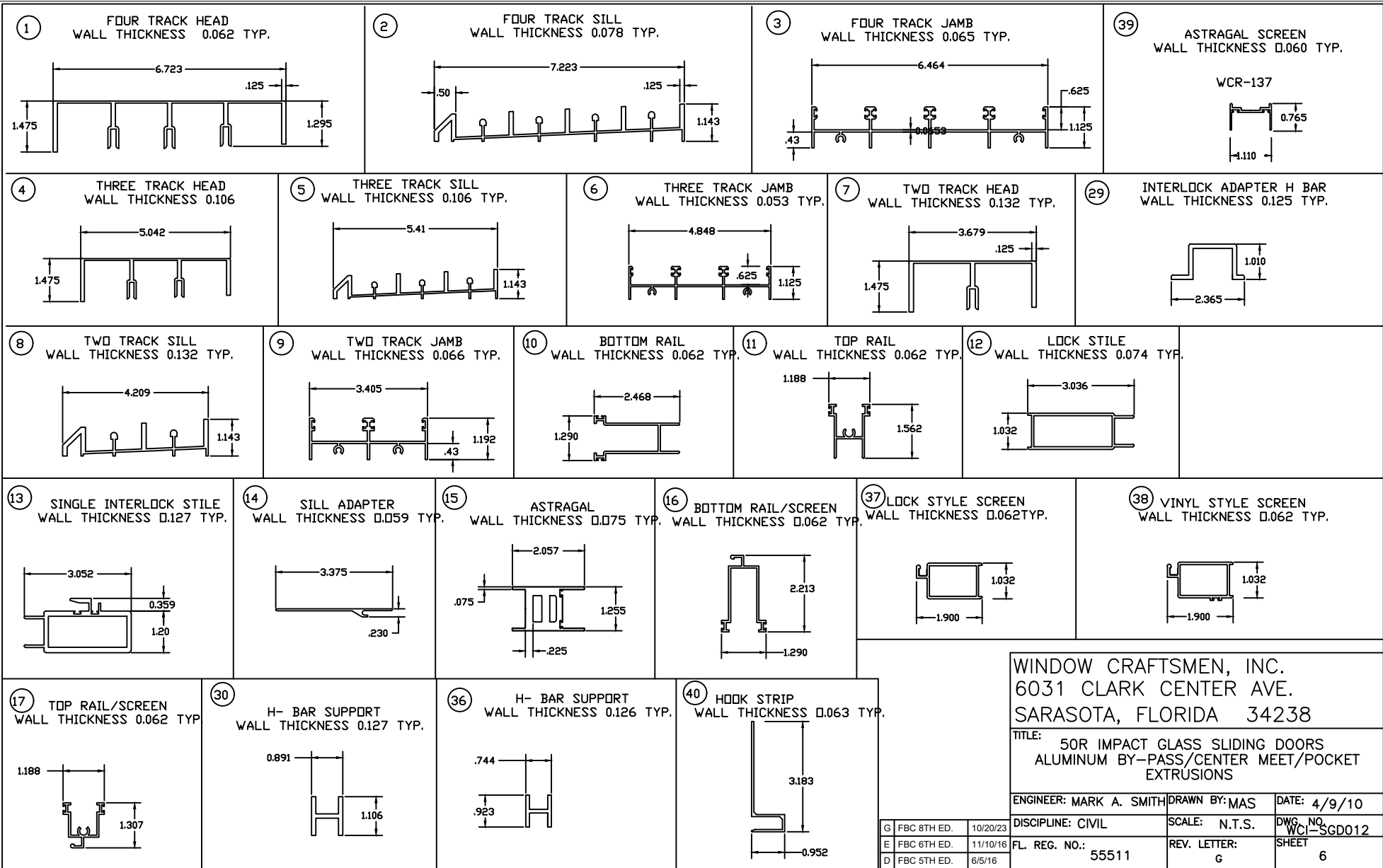


WINDOW CRAFTSMEN, INC.
 6031 CLARK CENTER AVE.
 SARASOTA, FLORIDA 34238

TITLE:
 50R IMPACT GLASS SLIDING DOORS
 ALUMINUM BY-PASS/CENTER MEET/POCKET
 ALUMINUM SYSTEMS INSTALLATION DETAILS

G	FBC 8TH ED.	10/20/23	ENGINEER: MARK A. SMITH	DRAWN BY: MAS	DATE: 2/16/11
F	FBC 7TH ED.	12/4/20	DISCIPLINE: CIVIL	SCALE: N.T.S.	DWG. NO. WCI-SGD012
E	FBC 6TH ED.	11/10/16	FL. REG. NO.: 55511	REV. LETTER: G	SHEET
D	FBC 5TH ED.	6/5/16			5

MARK A. SMITH, P.E. 3738 KINGSWOOD DR., SARASOTA, FL. 34232 PH 941-993-9620



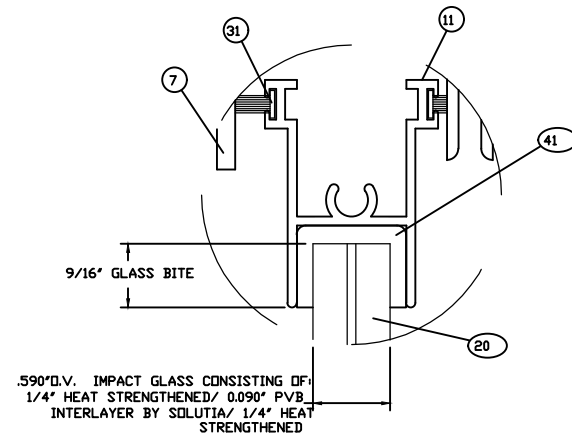
WINDOW CRAFTSMEN, INC.
 6031 CLARK CENTER AVE.
 SARASOTA, FLORIDA 34238

TITLE: 50R IMPACT GLASS SLIDING DOORS
 ALUMINUM BY-PASS/CENTER MEET/POCKET
 EXTRUSIONS

ENGINEER: MARK A. SMITH DRAWN BY: MAS DATE: 4/9/10

G	FBC 8TH ED.	10/20/23	DISCIPLINE: CIVIL	SCALE: N.T.S.	DWG. NO. WCI-SGD012
E	FBC 6TH ED.	11/10/16	FL. REG. NO.: 55511	REV. LETTER: G	SHEET
D	FBC 5TH ED.	6/5/16			6

BILL OF MATERIAL				
ITEM NO.	PART NO.	DESCRIPTION	VENDOR	
1	WCR-90499-1	FOUR TRACK HEAD	ALUM. ALLOY 6063-T5	PROFILE
2	WCR-90500-1	FOUR TRACK SILL	ALUM. ALLOY 6063-T5	PROFILE
3	WCR-90501	FOUR TRACK JAMB	ALUM. ALLOY 6063-T5	PROFILE
4	WCR-79670-1	THREE TRACK HEAD	ALUM. ALLOY 6063-T5	PROFILE
5	WCR-79671-1	THREE TRACK SILL	ALUM. ALLOY 6063-T5	PROFILE
6	WCR-79672	THREE TRACK JAMB	ALUM. ALLOY 6063-T5	PROFILE
7	WCR-90496-1	TWO TRACK HEAD	ALUM. ALLOY 6063-T5	PROFILE
8	WCR-90497-1	TWO TRACK SILL	ALUM. ALLOY 6063-T5	PROFILE
9	WCR-90498	TWO TRACK JAMB	ALUM. ALLOY 6063-T5	PROFILE
10	WCR-90785	BOTTOM RAIL	ALUM. ALLOY 6063-T5	PROFILE
11	WCR-91060	TOP RAIL	ALUM. ALLOY 6063-T6	PROFILE
12	WCR-110	LOCK STILE	ALUM. ALLOY 6063-T6	PROFILE
13	WCR-111	SINGLE INTERLOCK STILE	ALUM. ALLOY 6063-T6	PROFILE
14	WCR-112	SILL ADAPTER	ALUM. ALLOY 6063-T6	PROFILE
15	WCR-038A	ASTRAGAL	ALUM. ALLOY 6063-T5	PROFILE
16	WCR-114	BOTTOM RAIL SCREEN	ALUM. ALLOY 6063-T5	PROFILE
17	WCR-115	TOP RAIL SCREEN	ALUM. ALLOY 6063-T5	PROFILE
18		SPLINE, 200 ROUND SCREEN		ALUMINUM SPECIALTIES
19	WINCR-1648-01	DOOR LOCK SET		AMERBURY
20	IMPACT GLASS	9/16, (1/4"HS x .090 x 1/4"HS) PVB INTERLAYER		CARDINAL
21	PJS-7623-38	SINGLE ROLLER		SULLIVAN ASSOCIATES
22	FLB229999	DOOR BUMPER		FRANK LOWE RUBBER
23	SGD-1800	PANEL BUMPER		COMMERCIAL PLASTICS
24		#14 X 1", PANEL SCREW -1		ACTION BOLT
25		#14 X 1" TYPE 23, PANEL SCREW-2		ACTION BOLT
26		8-32 X 3/8", KEEPER SCREW		ACTION BOLT
27		#12 X 1-3/4", INSTALLATION/ASTRAGAL SCREW		ACTION BOLT
28		#12 X 1-1/4" SQ. TYPE B, MAINFRAME SCREW		ACTION BOLT
29	WCR-100	INTERLOCK ADAPTER H BAR	ALUM. ALLOY 6063-T6	PROFILE
30	WCR-002A	H-BAR SUPPORT	ALUM. ALLOY 6063-T5	PROFILE
31	W23251NW	POLYPILE 0.187 X 0.250 FIN		ULTRAFAB
32	W13251NW	POLYPILE 0.187 X 0.250		ULTRAFAB
33	TP-1023	SETTING BLOCK		TEAM PLASTICS
34	TP-433	VINYL GLAZING SCREEN		TEAM PLASTICS
35	TP-915	VINYL INTERLOCK		TEAM PLASTICS
36	WCR-007	H-BAR SUPPORT	ALUM. ALLOY 6063-T6	PROFILE
37	WCR-116	LOCK STILE SCREEN		PROFILE
38	WCR-117	VINYL STYLE SCREEN		PROFILE
39	WCR-137	ASTRAGAL SCREEN		PROFILE
40	62490W13	HOOK STRIP		NUAIR
41	795802	TREMGLAZE S500		TREMCO
42	WC-118	SECURITY CLIP		RIMER & RIMER
43	PD300WHUC-S1	SCREEN HANDLE SET		SULLIVAN ASSOCIATES
44	2537-SS	KEEPER		SULLIVAN ASSOCIATES



IMPACT GLAZING DETAIL A

WINDOW CRAFTSMEN, INC.
6031 CLARK CENTER AVE.
SARASOTA, FLORIDA 34238

TITLE: 50R IMPACT GLASS SLIDING DOOR
ALUMINUM BY-PASS/CENTER MEET/POCKET
BILL OF MATERIALS

ENGINEER: MARK A. SMITH DRAWN BY: MAS DATE: 2/18/11

G	FBC 8TH ED.	12/20/23	DISCIPLINE: CIVIL	SCALE: N.T.S.	DWG. NO. WCI-SGD012
E	FBC 6TH ED.	11/10/17	FL. REG. NO.: 55511	REV. LETTER: G	SHEET 7
D	FBC 5TH ED.	6/5/16			