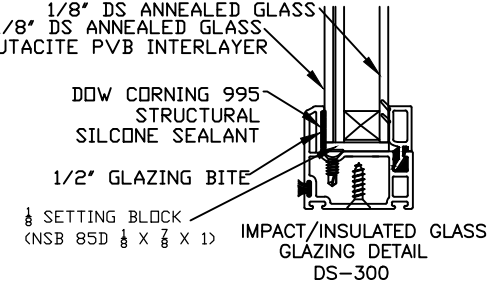
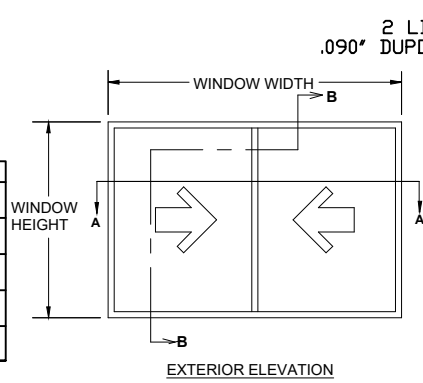


DS-300 IMPACT INSULATED GLASS ANCHOR TABLE, 50 DP					
Window Width.	Window Height	Number of Anchors		Design Pressure	Design Pressure
		Across Head & Sill	Across Jamb	Neg.	Pos.
24.000	24.000	2	2	-50.00	+50.00
36.000	24.000	3	2	-50.00	+50.00
48.000	24.000	4	2	-50.00	+50.00
60.000	24.000	5	2	-50.00	+50.00
66.000	24.000	6	2	-50.00	+50.00
74.000	24.000	6	2	-50.00	+50.00
24.000	36.000	2	3	-50.00	+50.00
36.000	36.000	3	3	-50.00	+50.00
48.000	36.000	4	3	-50.00	+50.00
60.000	36.000	5	3	-50.00	+50.00
66.000	36.000	6	3	-50.00	+50.00
74.000	36.000	6	3	-50.00	+50.00
24.000	48.000	2	4	-50.00	+50.00
36.000	48.000	3	4	-50.00	+50.00
48.000	48.000	4	4	-50.00	+50.00
60.000	48.000	5	4	-50.00	+50.00
66.000	48.000	6	4	-50.00	+50.00
74.000	48.000	6	4	-50.00	+50.00
24.000	54.000	2	5	-50.00	+50.00
36.000	54.000	3	5	-50.00	+50.00
48.000	54.000	4	5	-50.00	+50.00
60.000	54.000	5	5	-50.00	+50.00
66.000	54.000	6	5	-50.00	+50.00
74.000	54.000	6	5	-50.00	+50.00
24.000	63.000	2	5	-50.00	+50.00
36.000	63.000	3	5	-50.00	+50.00
48.000	63.000	4	5	-50.00	+50.00
60.000	63.000	5	5	-50.00	+50.00
66.000	63.000	6	5	-50.00	+50.00
74.000	63.000	6	5	-50.00	+50.00

APPLICATION	ANCHOR	EDGE DIST.	MIN. EMBEDMENT	MAX. SHIM SPACE
MASONRY W/1 BY WOOD BUCK	3/16" CONC.	2.5"	1.25"	0.25"
MASONRY W/2 BY WOOD BUCK	#10 WOOD	1.5"	1.50"	0.25"
MASONRY	3/16" CONC.	2.5"	1.25"	0.25"
METAL	#12 SMS	0.75"	.045" (THICK)	0.25"
2 BY WOOD FRAMING BUCK	#10 WOOD	1.5"	1.50"	0.25"

- NOTES ON ANCHOR CALCULATIONS:
- (1) CALCULATIONS DERIVED FROM TESTED UNIT DS-300 TEST REPORT # NCTL-110-14895-1,2,3,4 NAMI #NIO11054.
 - (2) THE QUANTITY OF ANCHORS ARE FOR EACH SIDE, NOT TOTAL QUANTITY.
 - (3) MAX. SPACING AT HEAD CORNER IS 6".
 - (4) MAX. SPACING AT JAMB CORNER IS 6".
 - (5) MAX. SPACING ACROSS HEAD IS 12-3/8".
 - (6) MAX. SPACING ACROSS JAMBS IS 12-3/4".
 - (7) NO ANCHORS REQUIRED IN SILL.

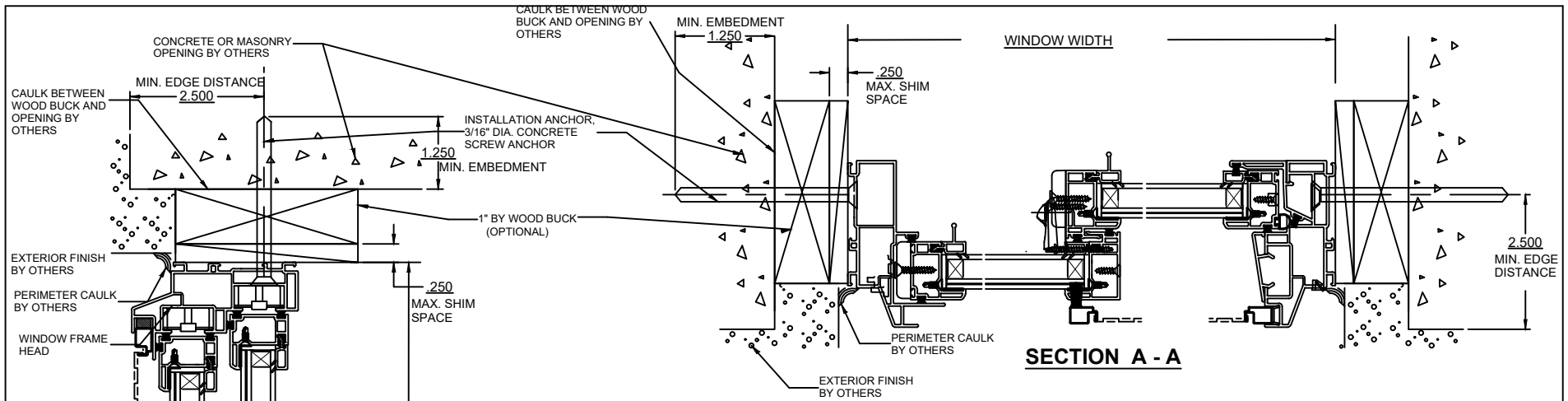
- NOTES:
- (1) THIS PRODUCT IS DESIGNED TO COMPLY WITH THE FLORIDA BUILDING CODE, 8TH EDITION (2023).
 - (2) SHIM AS REQ'D AT EACH SET OF INSTALLATION ANCHORS USING LOAD BEARING SHIMS. MAX. ALLOWABLE SHIM STACK TO BE 1/4". USE SHIMS WHERE SPACE GREATER THAN 1/16" IS PRESENT.
 - (3) WINDOW MATERIAL : PVC.
 - (4) 3/16" DIA. CONCRETE SREW ANCHORS MUST BE OF SUFFICIENT LENGTH TO ACHIEVE A MIN. EMBEDMENT OF 1 1/4" INTO CONCRETE OR MASONRY FOR 1 X WOOD BUCK OR A MIN. EMBEDMENT OF 1 1/4" INTO SOLID WOOD FOR 2 X BUCK OR WOOD FRAMED OPENINGS (GREATER THAN 1 3/8" THICK).
 - (5) ALL FACTORY APPLIED HOLES IN FRAME MEMBERS NOT DESIGNATED FOR CONCRETE SCREW ANCHORS SHOULD BE FILLED WITH #10 SCREWS OF SUFFICIENT LENGTH TO ACHIEVE A MIN. EMBEDMENT OF 1-1/2" INTO WOOD BUCK.
 - (6) USE LATEX CAULK OR EQUIVALENT FOR PERIMETER SEAL AROUND EXTERIOR OF WINDOW.
 - (7) WHEN INSTALLING INTO STEEL OR ALUMINUM, #12 SMS MUST HAVE SUFFICIENT LENGTH SO THAT THERE IS FULL THREAD ENGAGEMENT THROUGH THE METAL.
 - (8) IF EXACT WINDOW SIZE IS NOT LISTED IN ANCHOR CHART, USE THE NEXT SIZE LARGER WINDOW FOR ANCHOR QUANTITY.
 - (9) GLASS COMPLIES WITH ASTM E-1300-04 GLASS CHART REQUIREMENTS. INSULATED GLASS/LAMINATED: 1/8" DS ANNEALED X .090 PVB X 1/8" DS ANNEALED 7/16 AS (ALUMINUM) X 1/8 DS ANNEALED 7/8 OAT.
 - (10) ALL INSTALLATION ANCHORS MUST BE MADE OF A CORROSION RESISTANT MATERIAL OR COATING.
 - (11) NOT ALL CONFIGURATIONS LISTED ON ANCHOR CHART ARE SHOWN ON THIS DRAWING. HOWEVER, INSTALLATION SECTION A-A & B-B APPLY TO ALL CONFIGURATIONS.



WINDOW CRAFTSMEN, INC.
6031 CLARK CENTER AVE.
SARASOTA, FLORIDA 34238

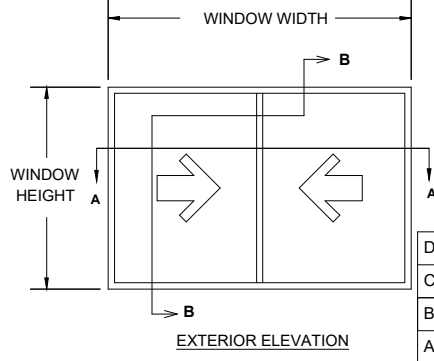
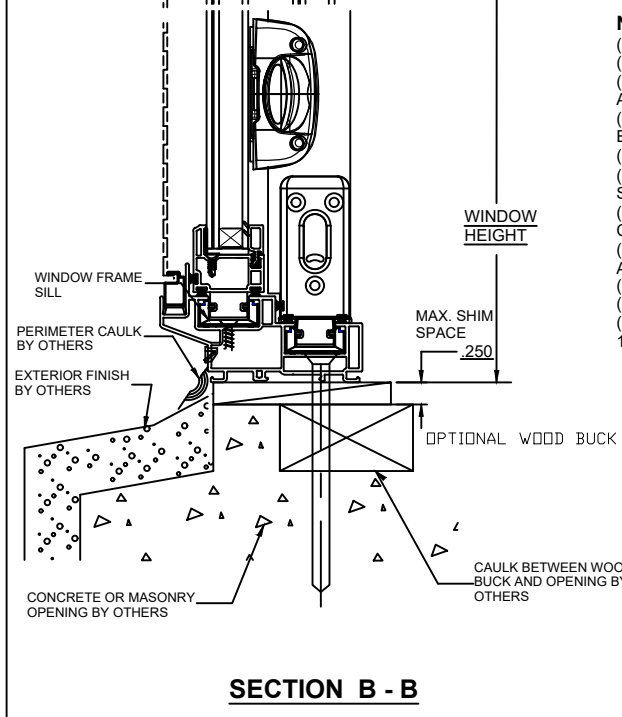
TITLE: DS-300 IMPACT IG GLASS VINYL DOUBLE SLIDER WINDOW INSTALLATION INSTRUCTIONS FOR NOTES AND ANCHOR SPECIFICATIONS			
ENGINEER: MARK A. SMITH	DRAWN BY: MAS	DATE: 03/25/12	
DISCIPLINE: CIVIL	SCALE: N.T.S.	DWG. NO. WCI-VDS003	
FL. REG. NO.: 55511	REV. LETTER: G	SHEET 1	

G	F.B.C. 8TH ED	9/21/23
F	WOOD FRAME	9/21/21
E	F.B.C. 7TH ED	10/19/20
D	F.B.C. 6TH ED	10/12/17
C	DUPONT	1/29/16



NOTES:

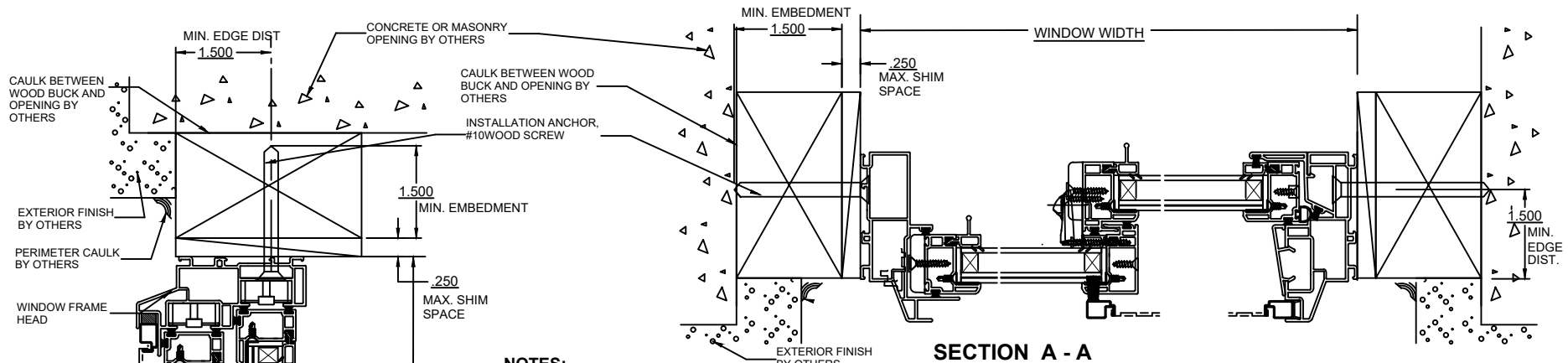
- (1) THIS PRODUCT IS DESIGNED TO COMPLY WITH THE FLORIDA BUILDING CODE 8TH EDITION (2023).
- (2) WINDOW MATERIAL : PVC.
- (3) SHIM AS REQ'D AT EACH SET OF INSTALLATION ANCHORS USING LOAD BEARING SHIMS. MAX. ALLOWABLE SHIM STACK TO BE 1/4". USE SHIMS WHERE SPACE GREATER THAN 1/16" IS PRESENT.
- (4) 3/16" DIA. CONCRETE SCREW ANCHORS MUST BE OF SUFFICIENT LENGTH TO ACHIEVE A MIN. EMBEDMENT OF 1 1/4" INTO CONCRETE OR MASONRY FOR 1 X WOOD BUCK.
- (5) FOR MAX. ALLOWABLE SPACING OF 3/16" DIA. CONCRETE SCREWS SEE SHEET 1.
- (6) CAULK BEHIND FLANGE WITH LATEX CAULK. APPLICATION OF LATEX CAULK MUST COMPLY WITH SEALANT MANUFACTURERS RECOMMENDATIONS.
- (7) AN APPROVED MEMBRANE OR MATERIAL SHALL BE PLACED BETWEEN ALL DISSIMILAR METALS TO CONTROL GALVANIC CORROSION.
- (8) IF EXACT WINDOW SIZE IS NOT LISTED IN ANCHOR CHART, USE THE NEXT SIZE LARGER WINDOW FOR ANCHOR QUANTITY.
- (9) ALL INSTALLATION ANCHORS MUST BE MADE OF A CORROSION RESISTANT MATERIAL OR COATING.
- (10) SEE SHEET 1 (GENERAL NOTES) FOR DESIGN PRESSURES AND ANCHOR QUANTITIES.
- (11) 1X WOOD BUCK MAY BE USED TO FILL OPENING WHEN OPENING IS LARGER THAN WINDOW. 1X WOOD BUCK MUST BE FASTENED SECURELY TO MASONRY AS PER F.B.C. BY OTHERS.



WINDOW CRAFTSMEN, INC.
 6031 CLARK CENTER AVE.
 SARASOTA, FLORIDA 34238

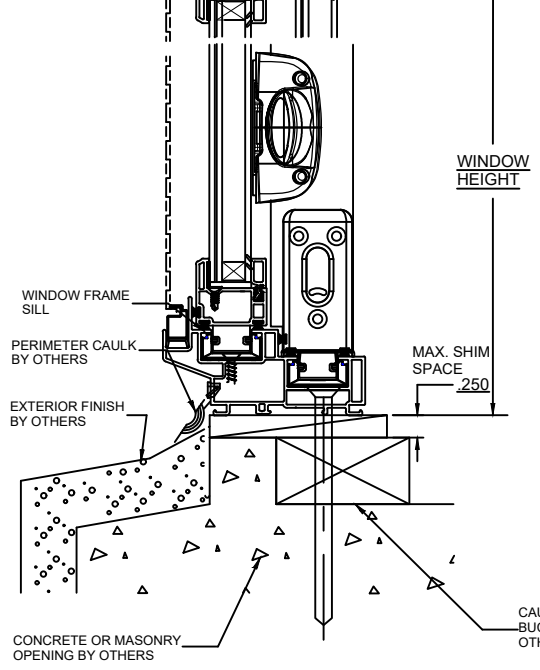
TITLE:
DS-300 IMPACT IG VINYL DOUBLE SLIDER WINDOW INSTALLATION INSTRUCTIONS FOR MASONRY WITH 1 BY WOOD BUCK

D	F.B.C. 8TH ED.	9/25/23	ENGINEER: MARK A. SMITH	DRAWN BY: MAS	DATE: 09/24/12
C	F.B.C. 7TH ED.	10/19/20	DISCIPLINE: CIVIL	SCALE: N.T.S.	DWG. NO. WCI-VDS003
B	F.B.C. 6TH ED.	10/12/16	FL. REG. NO.: 55511	REV. LETTER: D	SHEET 2
A	F.B.C. 5TH ED.	12/14/15			

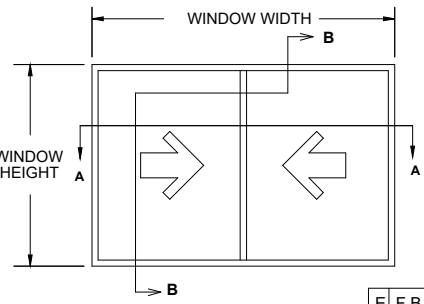


SECTION A - A

- NOTES:**
- (1) THIS PRODUCT IS DESIGNED TO COMPLY WITH THE FLORIDA BUILDING CODE, 8TH EDITION, (2023).
 - (2) WINDOW MATERIAL : PVC.
 - (3) SHIM AS REQ'D AT EACH SET OF INSTALLATION ANCHORS USING LOAD BEARING SHIMS. MAX. ALLOWABLE SHIM STACK TO BE 1/4". USE SHIMS WHERE SPACE GREATER THAN 1/16" IS PRESENT.
 - (4) #10 WOOD SCREW ANCHORS MUST BE OF SUFFICIENT LENGTH TO ACHIEVE A MIN. EMBEDMENT OF 1 1/2" INTO 2 X WOOD BUCK
 - (5) FOR MAX. ALLOWABLE SPACING OF #10 WOOD SCREWS SEE SHEET 1.
 - (6) CAULK BEHIND FLANGE WITH LATEX CAULK. APPLICATION OF LATEX CAULK MUST COMPLY WITH SEALANT MANUFACTURERS RECOMMENDATIONS.
 - (7) AN APPROVED MEMBRANE OR MATERIAL SHALL BE PLACED BETWEEN ALL DISSIMILAR METALS TO CONTROL GALVANIC CORROSION.
 - (8) IF EXACT WINDOW SIZE IS NOT LISTED IN ANCHOR CHART, USE THE NEXT SIZE LARGER WINDOW FOR ANCHOR QUANTITY.
 - (9) ALL INSTALLATION ANCHORS MUST BE MADE OF A CORROSION RESISTANT MATERIAL OR COATING.
 - (10) SEE SHEET 1 (GENERAL NOTES) FOR DESIGN PRESSURES AND ANCHOR QUANTITIES.
 - (11) 2X WOOD BUCK MAY BE USED TO FILL OPENING WHEN OPENING IS LARGER THAN WINDOW. 2X WOOD BUCK MUST BE FASTENED SECURELY TO MASONRY AS PER F.B.C. BY OTHERS.



SECTION B - B

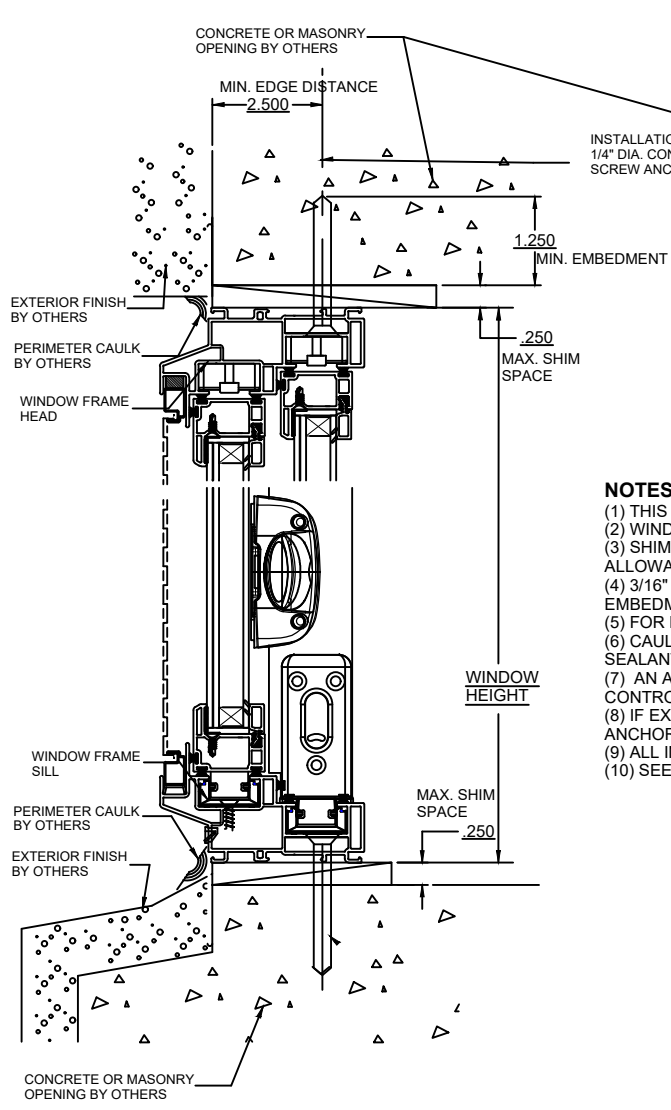


EXTERIOR ELEVATION

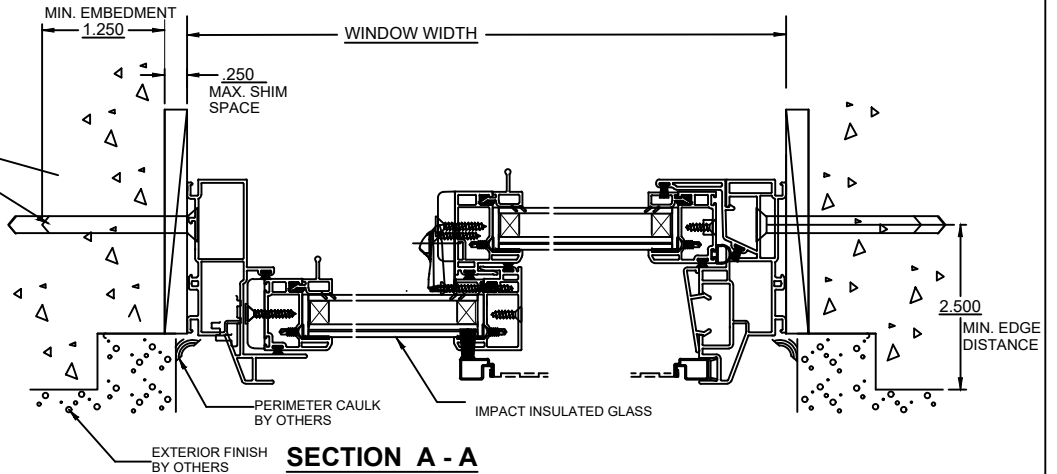
WINDOW CRAFTSMEN, INC.
 6031 CLARK CENTER AVE.
 SARASOTA, FLORIDA 34238

TITLE:
DS-300 IMPACT IG VINYL DOUBLE SLIDER WINDOW INSTALLATION INSTRUCTIONS FOR MASONRY WITH 2 BY WOOD BUCK

E F.B.C. 8TH ED.	9/25/23	ENGINEER: MARK A. SMITH	DRAWN BY: MAS	DATE: 12/13/12
D F.B.C. 7TH ED.	10/19/20	DISCIPLINE: CIVIL	SCALE: N.T.S.	DWG. NO. WCI-VDS003
C F.B.C. 6TH ED.	10/12/17	FL. REG. NO.: 55511	REV. LETTER: E	SHEET 3
B F.B.C. 5TH ED.	12/14/15			



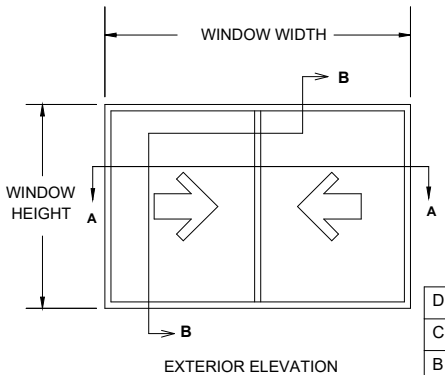
SECTION B - B



SECTION A - A

NOTES:

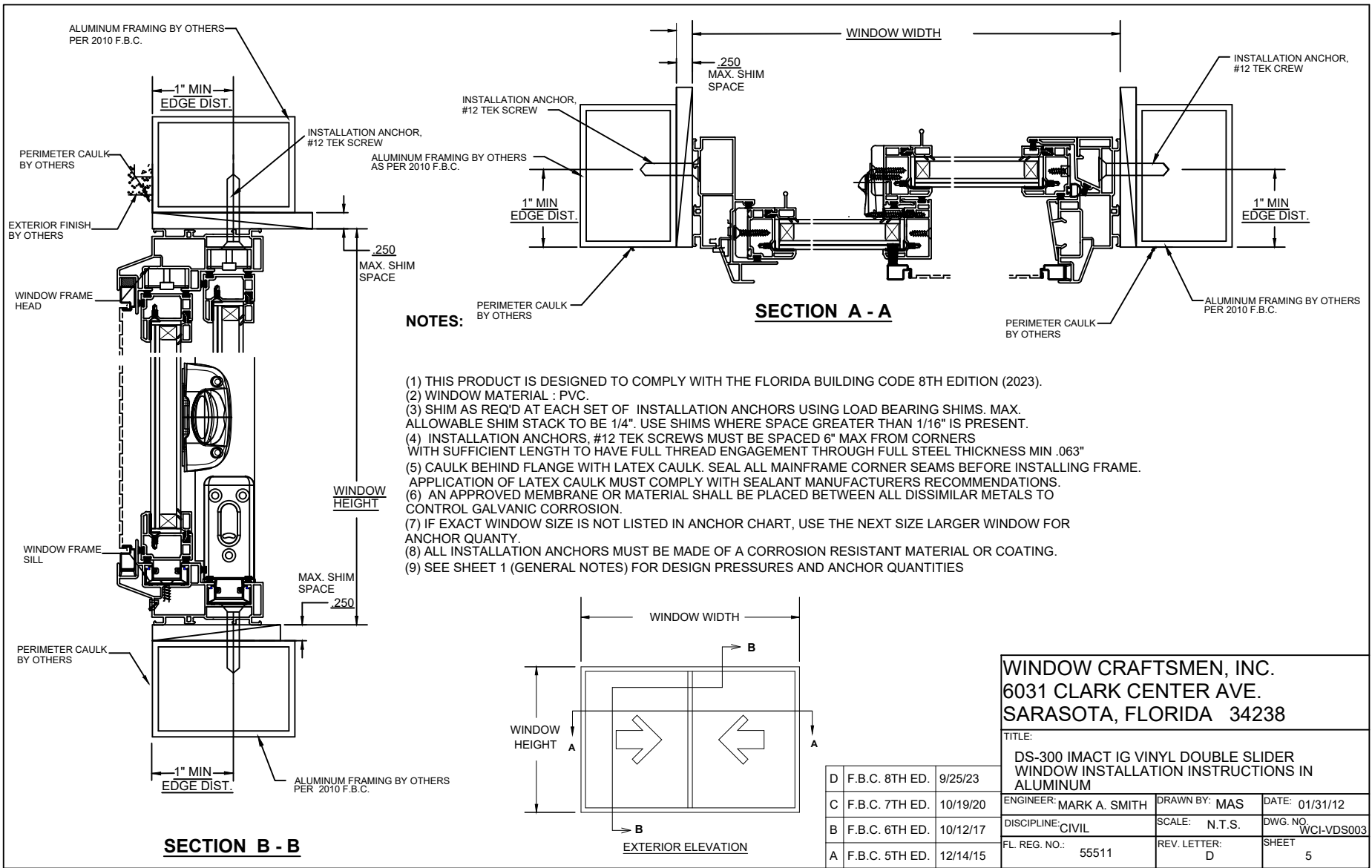
- (1) THIS PRODUCT IS DESIGNED TO COMPLY WITH THE FLORIDA BUILDING CODE, 8TH EDITION (2023).
- (2) WINDOW MATERIAL : PVC.
- (3) SHIM AS REQ'D AT EACH SET OF INSTALLATION ANCHORS USING LOAD BEARING SHIMS. MAX. ALLOWABLE SHIM STACK TO BE 1/4". USE SHIMS WHERE SPACE GREATER THAN 1/16" IS PRESENT.
- (4) 3/16" DIA. CONCRETE SCREW ANCHORS MUST BE OF SUFFICIENT LENGTH TO ACHIEVE A MIN. EMBEDMENT OF 1 1/4" INTO CONCRETE OR MASONRY FOR 1 X WOOD BUCK.
- (5) FOR MAX. ALLOWABLE SPACING OF 3/16" DIA. CONCRETE SCREWS SEE SHEET 1.
- (6) CAULK BEHIND FLANGE WITH LATEX CAULK. APPLICATION OF LATEX CAULK MUST COMPLY WITH SEALANT MANUFACTURERS RECOMMENDATIONS.
- (7) AN APPROVED MEMBRANE OR MATERIAL SHALL BE PLACED BETWEEN ALL DISSIMILAR METALS TO CONTROL GALVANIC CORROSION.
- (8) IF EXACT WINDOW SIZE IS NOT LISTED IN ANCHOR CHART, USE THE NEXT SIZE LARGER WINDOW FOR ANCHOR QUANTITY.
- (9) ALL INSTALLATION ANCHORS MUST BE MADE OF A CORROSION RESISTANT MATERIAL OR COATING.
- (10) SEE SHEET 1 (GENERAL NOTES) FOR DESIGN PRESSURES AND ANCHOR QUANTITIES.



EXTERIOR ELEVATION

WINDOW CRAFTSMEN, INC. 6031 CLARK CENTER AVE. SARASOTA, FLORIDA 34238			
TITLE: DS-300 IMPACT IG VINYL DOUBLE SLIDER WINDOW INSTALLATION INSTRUCTIONS IN MASONRY			
ENGINEER: MARK A. SMITH	DRAWN BY: MAS	DATE: 01/31/12	
DISCIPLINE: CIVIL	SCALE: N.T.S.	DWG. NO. WCI-VDS003	
FL. REG. NO.: 55511	REV. LETTER: D	SHEET 4	

D	F.B.C. 8TH ED.	10/25/23
C	F.B.C. 7TH ED.	10/19/20
B	F.B.C. 6TH ED.	10/12/17
A	F.B.C. 5TH ED.	12/14/15

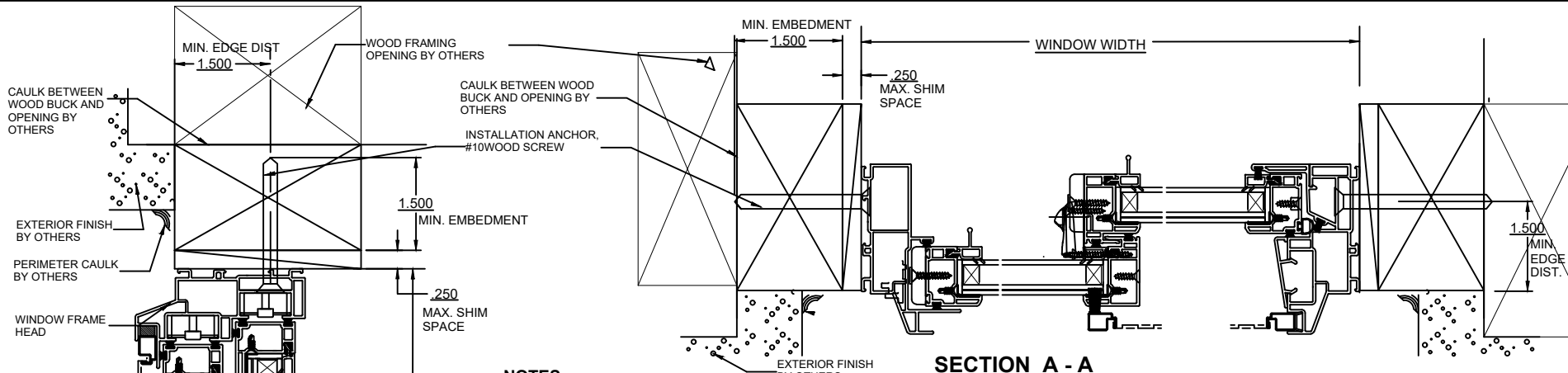


NOTES:

- (1) THIS PRODUCT IS DESIGNED TO COMPLY WITH THE FLORIDA BUILDING CODE 8TH EDITION (2023).
- (2) WINDOW MATERIAL : PVC.
- (3) SHIM AS REQ'D AT EACH SET OF INSTALLATION ANCHORS USING LOAD BEARING SHIMS. MAX. ALLOWABLE SHIM STACK TO BE 1/4". USE SHIMS WHERE SPACE GREATER THAN 1/16" IS PRESENT.
- (4) INSTALLATION ANCHORS, #12 TEK SCREWS MUST BE SPACED 6" MAX FROM CORNERS WITH SUFFICIENT LENGTH TO HAVE FULL THREAD ENGAGEMENT THROUGH FULL STEEL THICKNESS MIN .063"
- (5) CAULK BEHIND FLANGE WITH LATEX CAULK. SEAL ALL MAINFRAME CORNER SEAMS BEFORE INSTALLING FRAME. APPLICATION OF LATEX CAULK MUST COMPLY WITH SEALANT MANUFACTURERS RECOMMENDATIONS.
- (6) AN APPROVED MEMBRANE OR MATERIAL SHALL BE PLACED BETWEEN ALL DISSIMILAR METALS TO CONTROL GALVANIC CORROSION.
- (7) IF EXACT WINDOW SIZE IS NOT LISTED IN ANCHOR CHART, USE THE NEXT SIZE LARGER WINDOW FOR ANCHOR QUANTY.
- (8) ALL INSTALLATION ANCHORS MUST BE MADE OF A CORROSION RESISTANT MATERIAL OR COATING.
- (9) SEE SHEET 1 (GENERAL NOTES) FOR DESIGN PRESSURES AND ANCHOR QUANTITIES

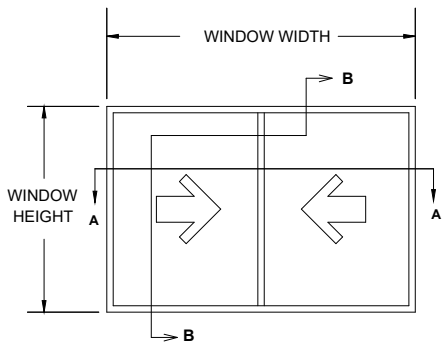
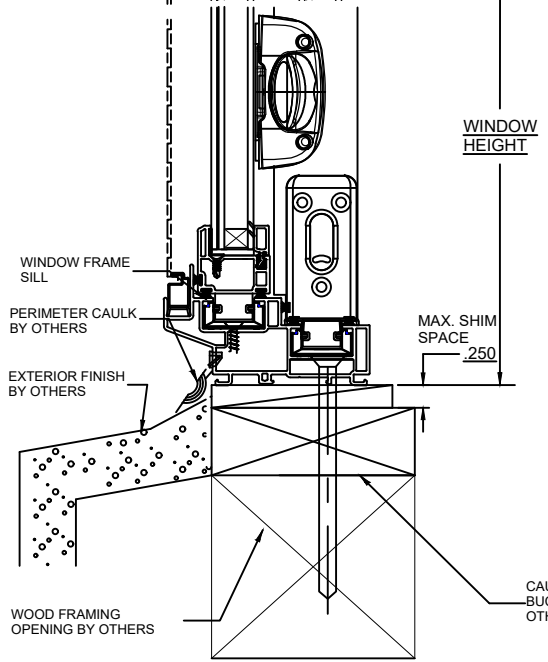
WINDOW CRAFTSMEN, INC. 6031 CLARK CENTER AVE. SARASOTA, FLORIDA 34238			
TITLE: DS-300 IMACT IG VINYL DOUBLE SLIDER WINDOW INSTALLATION INSTRUCTIONS IN ALUMINUM			
D	F.B.C. 8TH ED.	9/25/23	ENGINEER: MARK A. SMITH
C	F.B.C. 7TH ED.	10/19/20	DISCIPLINE: CIVIL
B	F.B.C. 6TH ED.	10/12/17	FL. REG. NO.: 55511
A	F.B.C. 5TH ED.	12/14/15	
DRAWN BY: MAS		DATE: 01/31/12	
SCALE: N.T.S.		DWG. NO. WCI-VDS003	
REV. LETTER: D		SHEET 5	

PREPARED BY MARK SMITH, 3738 KINGSWOOD DRIVE, SARASOTA, FL 34232 PH. 941-343-0008



NOTES:

- (1) THIS PRODUCT IS DESIGNED TO COMPLY WITH THE FLORIDA BUILDING CODE, 8TH EDITION, (2023).
- (2) WINDOW MATERIAL : PVC.
- (3) SHIM AS REQ'D AT EACH SET OF INSTALLATION ANCHORS USING LOAD BEARING SHIMS. MAX. ALLOWABLE SHIM STACK TO BE 1/4". USE SHIMS WHERE SPACE GREATER THAN 1/16" IS PRESENT.
- (4) #10 WOOD SCREW ANCHORS MUST BE OF SUFFICIENT LENGTH TO ACHIEVE A MIN. EMBEDMENT OF 1 1/2" INTO 2 X WOOD BUCK
- (5) FOR MAX. ALLOWABLE SPACING OF #10 WOOD SCREWS SEE SHEET 1.
- (6) CAULK BEHIND FLANGE WITH LATEX CAULK. APPLICATION OF LATEX CAULK MUST COMPLY WITH SEALANT MANUFACTURERS RECOMMENDATIONS.
- (7) AN APPROVED MEMBRANE OR MATERIAL SHALL BE PLACED BETWEEN ALL DISSIMILAR METALS TO CONTROL GALVANIC CORROSION.
- (8) IF EXACT WINDOW SIZE IS NOT LISTED IN ANCHOR CHART, USE THE NEXT SIZE LARGER WINDOW FOR ANCHOR QUANTY.
- (9) ALL INSTALLATION ANCHORS MUST BE MADE OF A CORROSION RESISTANT MATERIAL OR COATING.
- (10) SEE SHEET 1 (GENERAL NOTES) FOR DESIGN PRESSURES AND ANCHOR QUANTITIES.
- (11) 2X WOOD BUCK MAY BE USED TO FILL OPENING WHEN OPENING IS LARGER THAN WINDOW. 2X WOOD BUCK MUST BE FASTENED SECURELY TO MASONRY AS PER F.B.C. BY OTHERS.



SECTION A - A

SECTION B - B

EXTERIOR ELEVATION

WINDOW CRAFTSMEN, INC. 6031 CLARK CENTER AVE. SARASOTA, FLORIDA 34238		
TITLE: DS-300 IMPACT IG VINYL DOUBLE SLIDER WINDOW INSTALLATION INSTRUCTIONS FOR WOOD FRAME WITH 2 BY WOOD BUCK		
ENGINEER: MARK A. SMITH	DRAWN BY: MAS	DATE: 12/13/12
DISCIPLINE: CIVIL	SCALE: N.T.S.	DWG. NO. WCI-VDS003
FL. REG. NO.: 55511	REV. LETTER: B	SHEET 6

B	F.B.C. 8TH ED.	9/25/23
A	ADDED SHEET 6	9/21/21