

DH-200 INSULATED GLASS ANCHOR TABLE, 70 DP

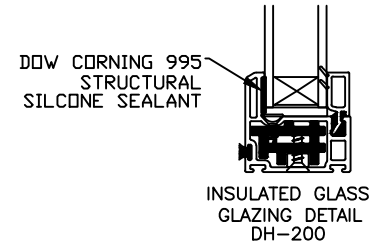
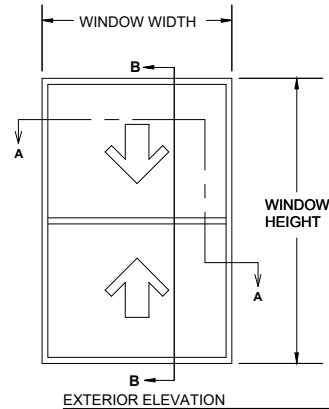
Window Width	Window Height	Number of Anchors		Design	Design
		Across Head & Sill	Across Jamb	Pressure Neg.	Pressure Pos.
24.000	36.000	2	3	-70.00	+70.00
24.000	48.000	2	4	-70.00	+70.00
24.000	60.000	2	5	-70.00	+70.00
24.000	72.000	2	6	-70.00	+70.00
24.000	75.000	2	7	-70.00	+70.00
36.000	36.000	3	3	-70.00	+70.00
36.000	48.000	3	4	-70.00	+70.00
36.000	60.000	3	5	-70.00	+70.00
36.000	72.000	3	6	-70.00	+70.00
36.000	75.000	3	7	-70.00	+70.00
53.000	36.000	4	3	-70.00	+70.00
53.000	48.000	4	4	-70.00	+70.00
53.000	60.000	4	5	-70.00	+70.00
53.000	72.000	4	6	-70.00	+70.00
53.000	75.000	4	7	-70.00	+70.00

NOTES:

- (1) THIS PRODUCT IS DESIGNED TO COMPLY WITH THE FLORIDA BUILDING CODE 8TH EDITION (2023).
- (2) SHIM AS REQ'D AT EACH SET OF INSTALLATION ANCHORS USING LOAD BEARING SHIMS. MAX. ALLOWABLE SHIM STACK TO BE 1/4". USE SHIMS WHERE SPACE GREATER THAN 1/16" IS PRESENT.
- (3) WINDOW MATERIAL : PVC.
- (4) 3/16" DIA. CONCRETE SREW ANCHORS MUST BE OF SUFFICIENT LENGTH TO ACHIEVE A MIN. EMBEDMENT OF 1 1/4" INTO CONCRETE OR MASONRY FOR 1 X WOOD BUCK OR A MIN. EMBEDMENT OF 1 1/4" INTO SOLID WOOD FOR 2 X BUCK OR WOOD FRAMED OPENINGS (GREATER THAN 1 3/8" THICK).
- (5) ALL FACTORY APPLIED HOLES IN FRAME MEMBERS NOT DESIGNATED FOR CONCRETE SCREW ANCHORS SHOULD BE FILLED WITH #10 SCREWS OF SUFFICIENT LENGTH TO ACHIEVE A MIN. EMBEDMENT OF 1-1/2" INTO WOOD BUCK.
- (6) USE LATEX CAULK OR EQUIVALENT FOR PERIMETER SEAL AROUND EXTERIOR OF WINDOW.
- (7) WHEN INSTALLING INTO STEEL OR ALUMINUM, #12 SMS MUST HAVE SUFFICIENT LENGTH SO THAT THERE IS FULL THREAD ENGAGEMENT THROUGH THE METAL.
- (8) IF EXACT WINDOW SIZE IS NOT LISTED IN ANCHOR CHART, USE THE NEXT SIZE LARGER WINDOW FOR ANCHOR QUANTY.
- (9) GLASS COMPLIES WITH ASTM E-1300 GLASS CHART REQUIREMENTS.
- INSULATED GLASS: 1/8" ANNEALED 5/8 AS X 1/8 ANNEALED 7/8 OAT.
- (10) ALL INSTALLATION ANCHORS MUST BE MADE OF A CORROSION RESISTANT MATERIAL OR COATING.
- (11) NOT ALL CONFIGURATIONS LISTED ON ANCHOR CHART ARE SHOWN ON THIS DRAWING. HOWEVER, INSTALLATION SECTION A-A & B-B APPLY TO ALL CONFIGURATIONS.

ANCHOR DETAILS

APPLICATION	ANCHOR	EDGE DIST.	MIN. EMBEDMENT	MAX. SHIM SPACE
MASONRY W/1 BY WOOD BUCK	3/16" CONC.	2.5"	1.25"	0.25"
MASONRY W/2 BY WOOD BUCK	#10 WOOD	1.5"	1.50"	0.25"
MASONRY	3/16" CONC.	2.5"	1.25"	0.25"
METAL	#12 SMS	0.75"	.045" (THICK)	0.25"
2 BY WOOD FRAMING BUCK	#10 WOOD	1.5"	1.50"	0.25"

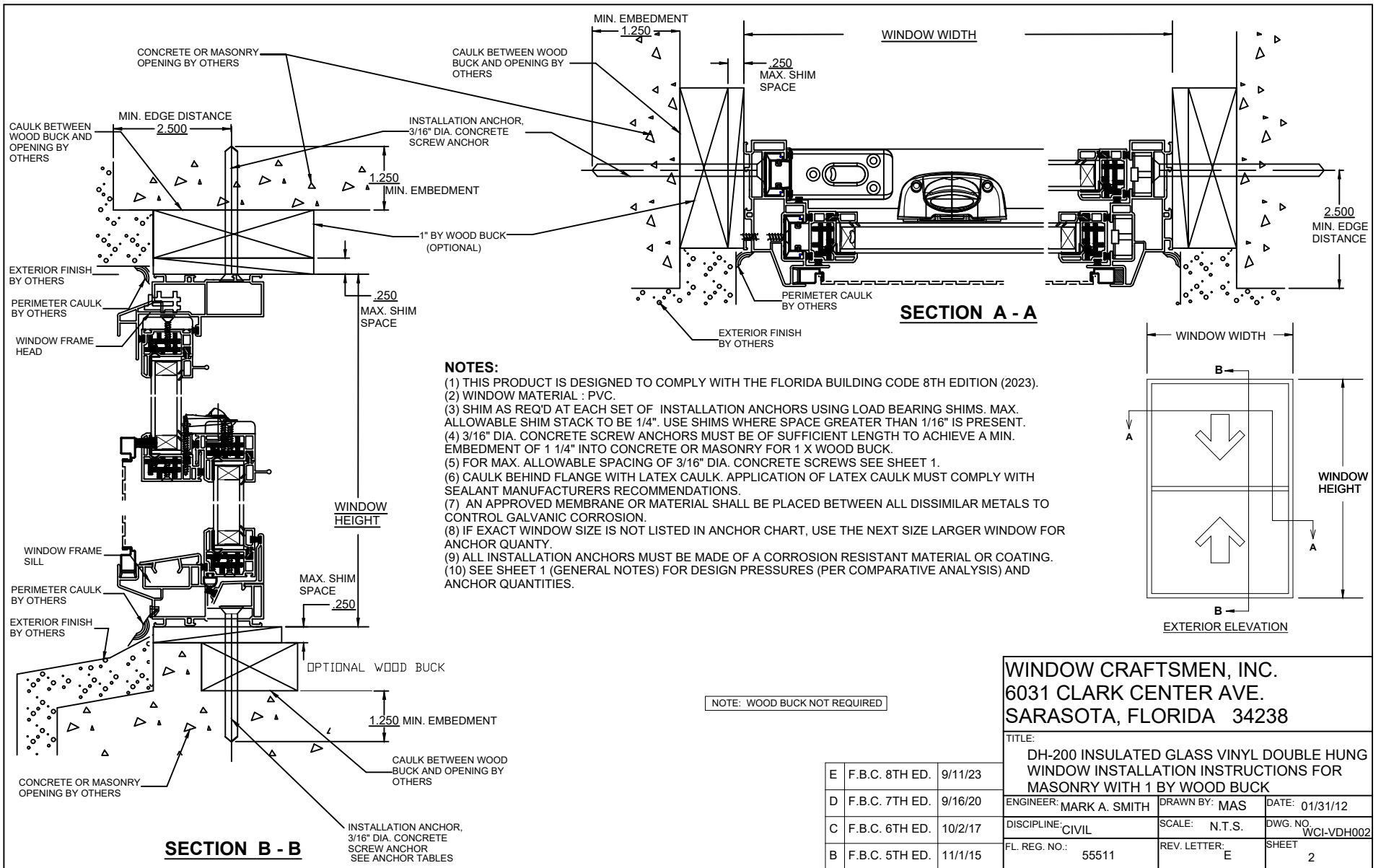


NOTES ON ANCHOR CALCULATIONS:

- (1) CALCULATIONS DERIVED FROM TESTED UNIT
DH-200 TEST REPORT # AI-02892-A NAMI # NI010845
- (2) THE QUANTITY OF ANCHORS ARE FOR EACH SIDE, NOT TOTAL QUANTITY.
- (3) MAX. SPACING AT HEAD CORNER IS 6".
- (4) MAX. SPACING AT JAMB CORNER IS 6".
- (5) MAX. SPACING ACROSS HEAD AND SILL IS 13-3/8".
- (6) MAX. SPACING ACROSS JAMBS IS 12".

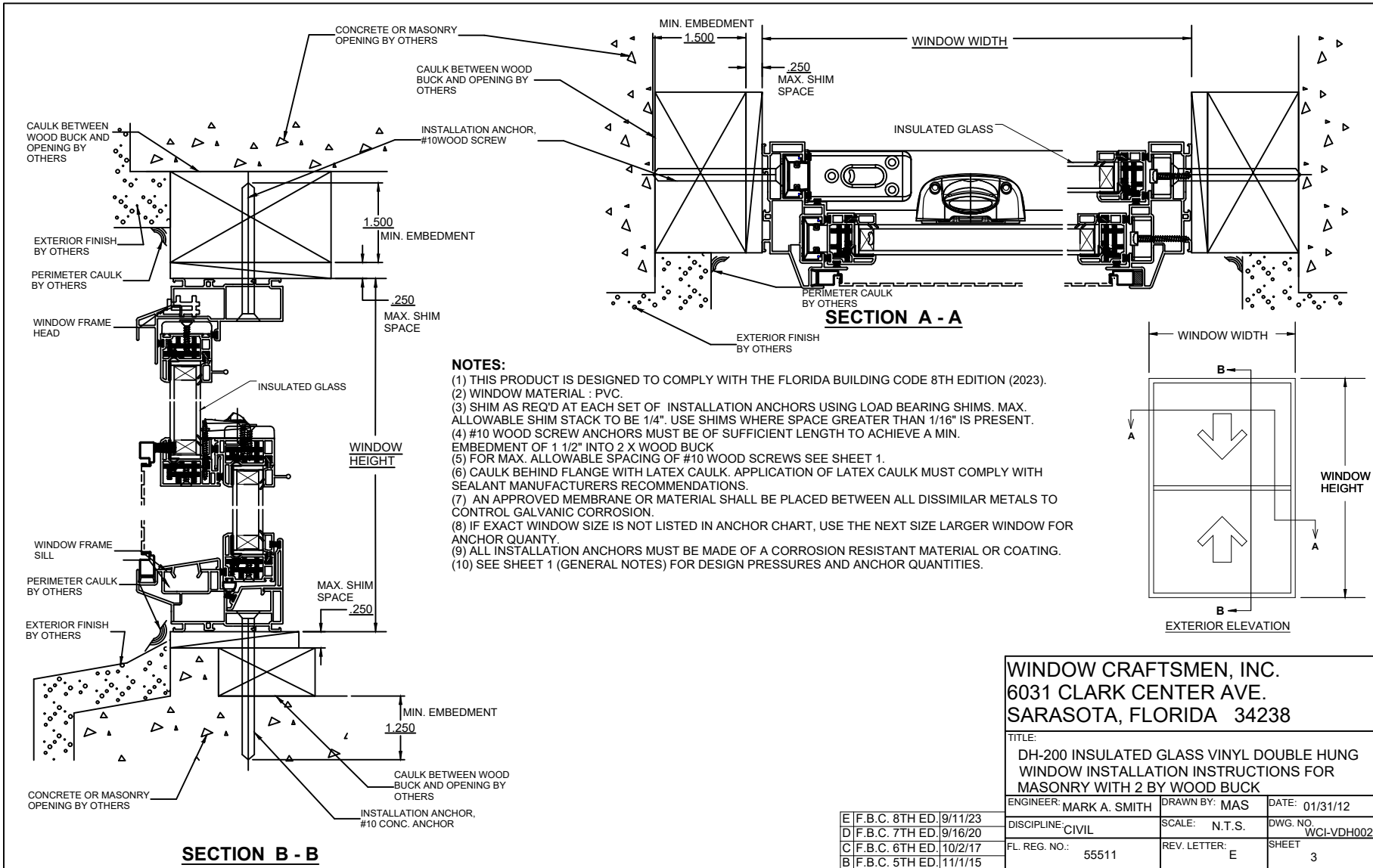
WINDOW CRAFTSMEN, INC.
6031 CLARK CENTER AVE.
SARASOTA, FLORIDA 34238

TITLE: DH-200 INSULATED GLASS VINYL DOUBLE HUNG WINDOW INSTALLATION INSTRUCTIONS FOR NOTES AND ANCHOR SPECIFICATIONS			
ENGINEER: MARK A. SMITH	DRAWN BY: MAS	DATE: 03/25/12	
DISCIPLINE: CIVIL	SCALE: N.T.S.	DWG. NO. WCI-VDH002	
FL. REG. NO.: 55511	REV. LETTER: F	SHEET	1



WINDOW CRAFTSMEN, INC.
6031 CLARK CENTER AVE.
SARASOTA, FLORIDA 34238

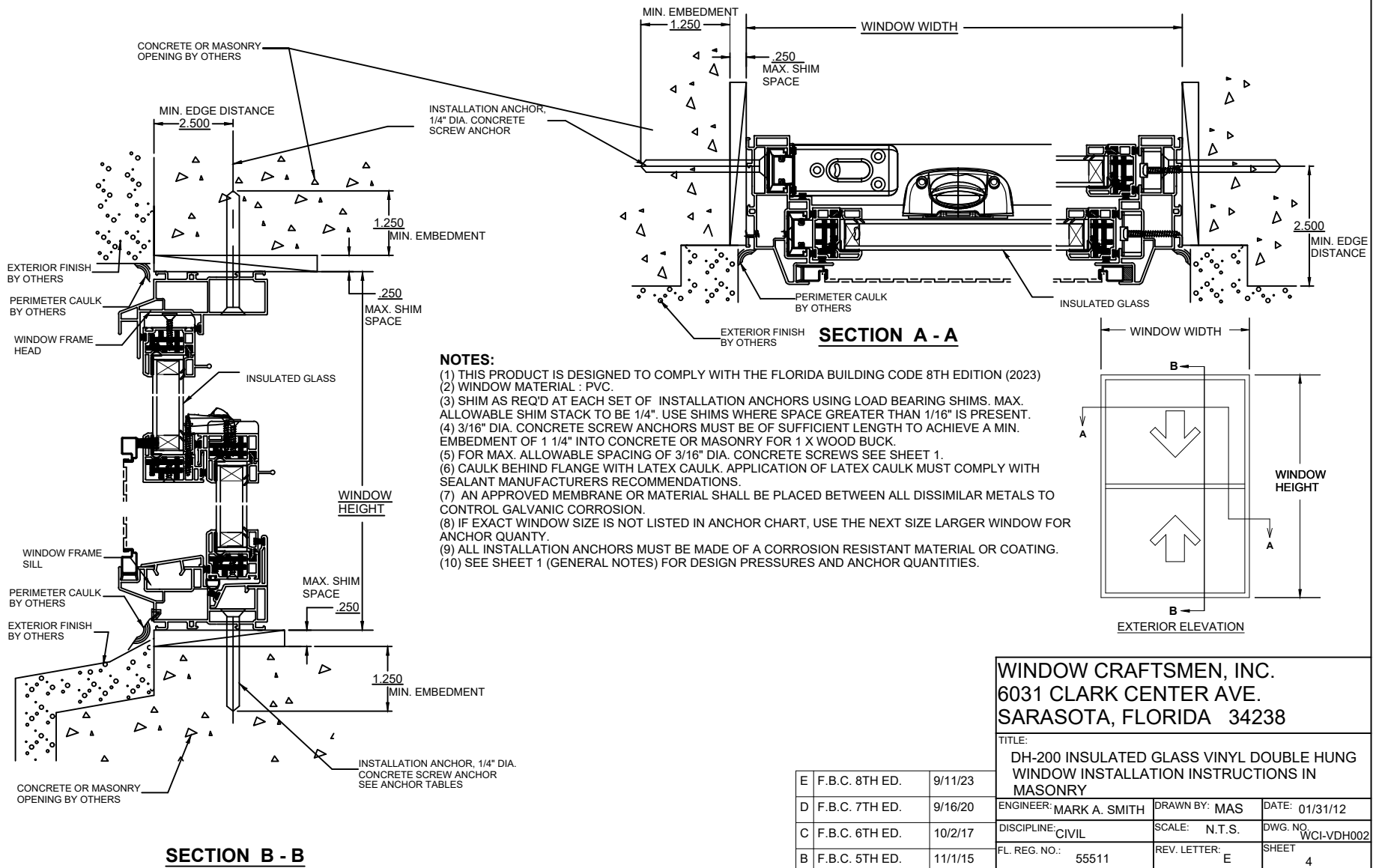
TITLE:			
DH-200 INSULATED GLASS VINYL DOUBLE HUNG WINDOW INSTALLATION INSTRUCTIONS FOR MASONRY WITH 1 BY WOOD BUCK			
E	F.B.C. 8TH ED.	9/11/23	
D	F.B.C. 7TH ED.	9/16/20	ENGINEER: MARK A. SMITH
C	F.B.C. 6TH ED.	10/2/17	DISCIPLINE: CIVIL
B	F.B.C. 5TH ED.	11/1/15	FL. REG. NO.: 55511
			ENGINEER: MARK A. SMITH
			DATE: 01/31/12
			SCALE: N.T.S.
			DWG. NO. WCI-VDH002
			REV. LETTER: E
			SHEET 2



- NOTES:**
- (1) THIS PRODUCT IS DESIGNED TO COMPLY WITH THE FLORIDA BUILDING CODE 8TH EDITION (2023).
 - (2) WINDOW MATERIAL : PVC.
 - (3) SHIM AS REQ'D AT EACH SET OF INSTALLATION ANCHORS USING LOAD BEARING SHIMS. MAX. ALLOWABLE SHIM STACK TO BE 1/4". USE SHIMS WHERE SPACE GREATER THAN 1/16" IS PRESENT.
 - (4) #10 WOOD SCREW ANCHORS MUST BE OF SUFFICIENT LENGTH TO ACHIEVE A MIN. EMBEDMENT OF 1 1/2" INTO 2 X WOOD BUCK
 - (5) FOR MAX. ALLOWABLE SPACING OF #10 WOOD SCREWS SEE SHEET 1.
 - (6) CAULK BEHIND FLANGE WITH LATEX CAULK. APPLICATION OF LATEX CAULK MUST COMPLY WITH SEALANT MANUFACTURERS RECOMMENDATIONS.
 - (7) AN APPROVED MEMBRANE OR MATERIAL SHALL BE PLACED BETWEEN ALL DISSIMILAR METALS TO CONTROL GALVANIC CORROSION.
 - (8) IF EXACT WINDOW SIZE IS NOT LISTED IN ANCHOR CHART, USE THE NEXT SIZE LARGER WINDOW FOR ANCHOR QUANTY.
 - (9) ALL INSTALLATION ANCHORS MUST BE MADE OF A CORROSION RESISTANT MATERIAL OR COATING.
 - (10) SEE SHEET 1 (GENERAL NOTES) FOR DESIGN PRESSURES AND ANCHOR QUANTITIES.

WINDOW CRAFTSMEN, INC.
 6031 CLARK CENTER AVE.
 SARASOTA, FLORIDA 34238

TITLE: DH-200 INSULATED GLASS VINYL DOUBLE HUNG WINDOW INSTALLATION INSTRUCTIONS FOR MASONRY WITH 2 BY WOOD BUCK			
ENGINEER: MARK A. SMITH	DRAWN BY: MAS	DATE: 01/31/12	
DISCIPLINE: CIVIL	SCALE: N.T.S.	DWG. NO. WCI-VDH002	
FL. REG. NO.: 55511	REV. LETTER: E	SHEET 3	
E F.B.C. 8TH ED. 9/11/23			
D F.B.C. 7TH ED. 9/16/20			
C F.B.C. 6TH ED. 10/2/17			
B F.B.C. 5TH ED. 11/1/15			

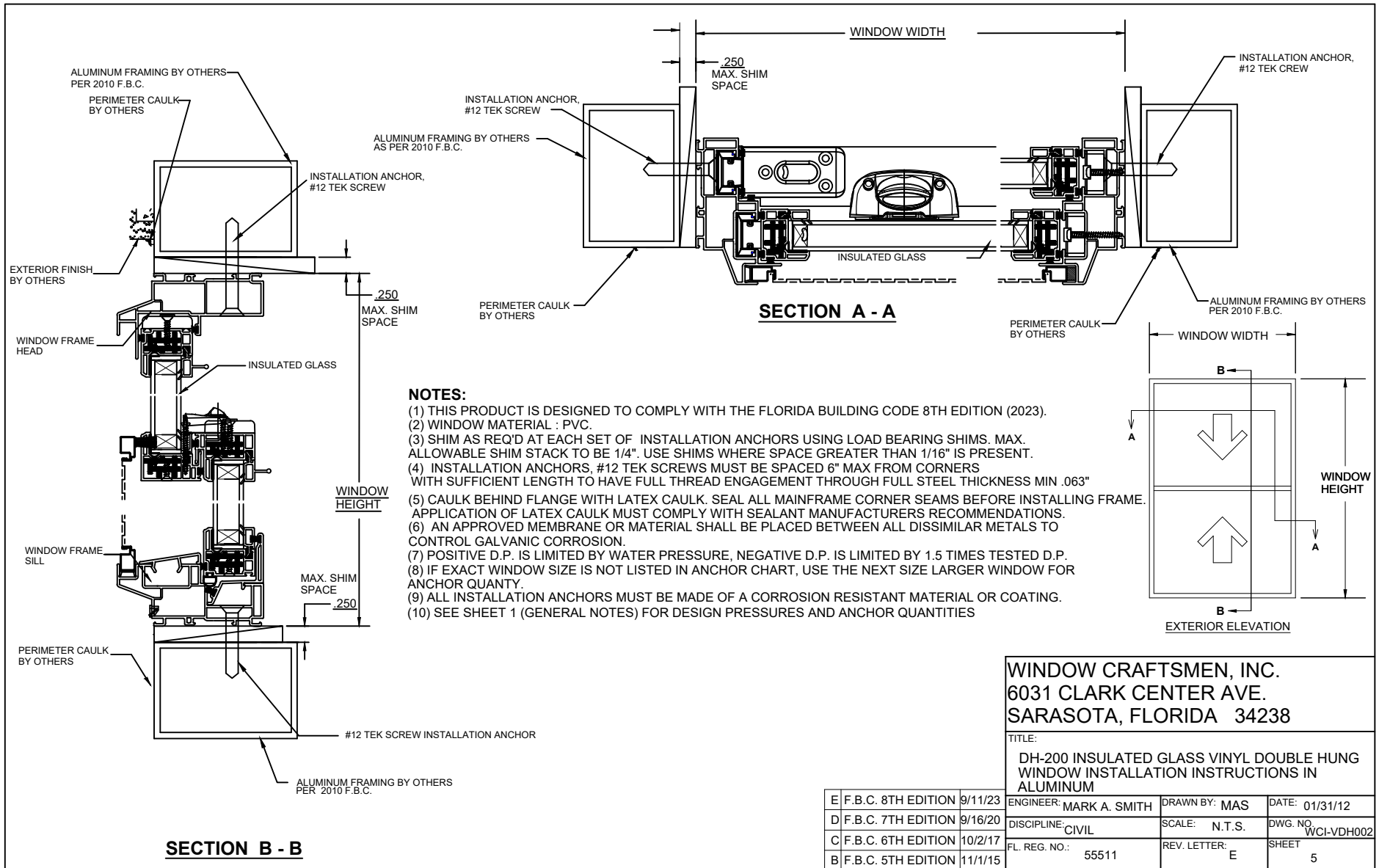


- NOTES:**
- (1) THIS PRODUCT IS DESIGNED TO COMPLY WITH THE FLORIDA BUILDING CODE 8TH EDITION (2023)
 - (2) WINDOW MATERIAL : PVC.
 - (3) SHIM AS REQ'D AT EACH SET OF INSTALLATION ANCHORS USING LOAD BEARING SHIMS. MAX. ALLOWABLE SHIM STACK TO BE 1/4". USE SHIMS WHERE SPACE GREATER THAN 1/16" IS PRESENT.
 - (4) 3/16" DIA. CONCRETE SCREW ANCHORS MUST BE OF SUFFICIENT LENGTH TO ACHIEVE A MIN. EMBEDMENT OF 1 1/4" INTO CONCRETE OR MASONRY FOR 1 X WOOD BUCK.
 - (5) FOR MAX. ALLOWABLE SPACING OF 3/16" DIA. CONCRETE SCREWS SEE SHEET 1.
 - (6) CAULK BEHIND FLANGE WITH LATEX CAULK. APPLICATION OF LATEX CAULK MUST COMPLY WITH SEALANT MANUFACTURERS RECOMMENDATIONS.
 - (7) AN APPROVED MEMBRANE OR MATERIAL SHALL BE PLACED BETWEEN ALL DISSIMILAR METALS TO CONTROL GALVANIC CORROSION.
 - (8) IF EXACT WINDOW SIZE IS NOT LISTED IN ANCHOR CHART, USE THE NEXT SIZE LARGER WINDOW FOR ANCHOR QUANTITY.
 - (9) ALL INSTALLATION ANCHORS MUST BE MADE OF A CORROSION RESISTANT MATERIAL OR COATING.
 - (10) SEE SHEET 1 (GENERAL NOTES) FOR DESIGN PRESSURES AND ANCHOR QUANTITIES.

WINDOW CRAFTSMEN, INC.
6031 CLARK CENTER AVE.
SARASOTA, FLORIDA 34238

TITLE:
DH-200 INSULATED GLASS VINYL DOUBLE HUNG WINDOW INSTALLATION INSTRUCTIONS IN MASONRY

E	F.B.C. 8TH ED.	9/11/23	ENGINEER: MARK A. SMITH	DRAWN BY: MAS	DATE: 01/31/12
D	F.B.C. 7TH ED.	9/16/20	DISCIPLINE: CIVIL	SCALE: N.T.S.	DWG. NO. WCI-VDH002
C	F.B.C. 6TH ED.	10/2/17	FL. REG. NO.: 55511	REV. LETTER: E	SHEET 4
B	F.B.C. 5TH ED.	11/1/15			



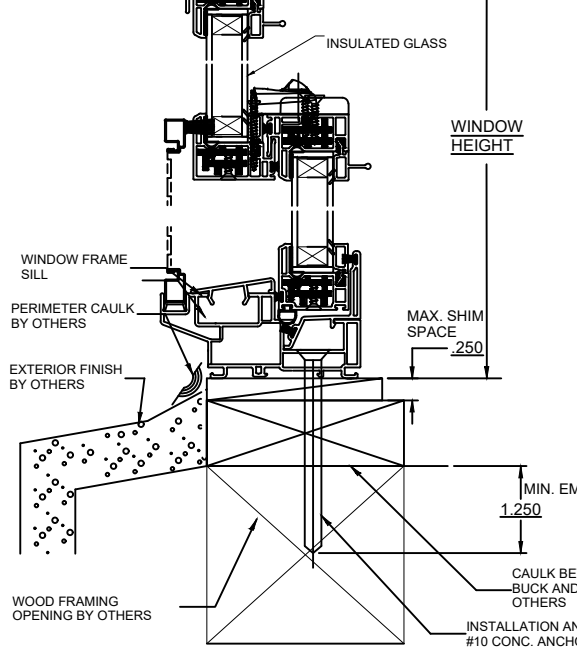
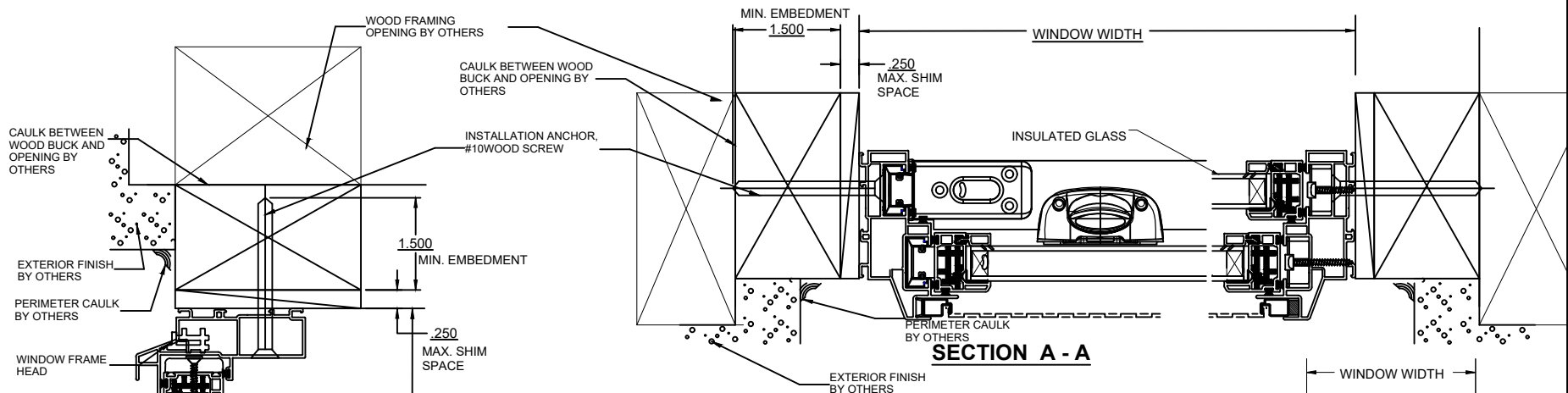
- NOTES:**
- (1) THIS PRODUCT IS DESIGNED TO COMPLY WITH THE FLORIDA BUILDING CODE 8TH EDITION (2023).
 - (2) WINDOW MATERIAL : PVC.
 - (3) SHIM AS REQ'D AT EACH SET OF INSTALLATION ANCHORS USING LOAD BEARING SHIMS. MAX. ALLOWABLE SHIM STACK TO BE 1/4". USE SHIMS WHERE SPACE GREATER THAN 1/16" IS PRESENT.
 - (4) INSTALLATION ANCHORS, #12 TEK SCREWS MUST BE SPACED 6" MAX FROM CORNERS WITH SUFFICIENT LENGTH TO HAVE FULL THREAD ENGAGEMENT THROUGH FULL STEEL THICKNESS MIN .063"
 - (5) CAULK BEHIND FLANGE WITH LATEX CAULK. SEAL ALL MAINFRAME CORNER SEAMS BEFORE INSTALLING FRAME. APPLICATION OF LATEX CAULK MUST COMPLY WITH SEALANT MANUFACTURERS RECOMMENDATIONS.
 - (6) AN APPROVED MEMBRANE OR MATERIAL SHALL BE PLACED BETWEEN ALL DISSIMILAR METALS TO CONTROL GALVANIC CORROSION.
 - (7) POSITIVE D.P. IS LIMITED BY WATER PRESSURE, NEGATIVE D.P. IS LIMITED BY 1.5 TIMES TESTED D.P.
 - (8) IF EXACT WINDOW SIZE IS NOT LISTED IN ANCHOR CHART, USE THE NEXT SIZE LARGER WINDOW FOR ANCHOR QUANTITY.
 - (9) ALL INSTALLATION ANCHORS MUST BE MADE OF A CORROSION RESISTANT MATERIAL OR COATING.
 - (10) SEE SHEET 1 (GENERAL NOTES) FOR DESIGN PRESSURES AND ANCHOR QUANTITIES

WINDOW CRAFTSMEN, INC.
 6031 CLARK CENTER AVE.
 SARASOTA, FLORIDA 34238

TITLE:
 DH-200 INSULATED GLASS VINYL DOUBLE HUNG
 WINDOW INSTALLATION INSTRUCTIONS IN
 ALUMINUM

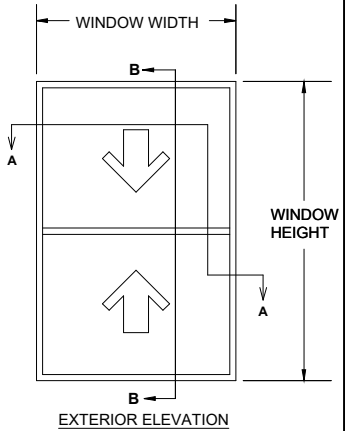
E F.B.C. 8TH EDITION	9/11/23	ENGINEER: MARK A. SMITH	DRAWN BY: MAS	DATE: 01/31/12
D F.B.C. 7TH EDITION	9/16/20	DISCIPLINE: CIVIL	SCALE: N.T.S.	DWG. NO. WCI-VDH002
C F.B.C. 6TH EDITION	10/2/17	FL. REG. NO.: 55511	REV. LETTER: E	SHEET 5
B F.B.C. 5TH EDITION	11/1/15			

PREPARED BY MARK SMITH, 3738 KINGSWOOD DRIVE, SARASOTA, FL 34232 PH. 941-993-9620



NOTES:

- (1) THIS PRODUCT IS DESIGNED TO COMPLY WITH THE FLORIDA BUILDING CODE 8TH EDITION (2023).
- (2) WINDOW MATERIAL : PVC.
- (3) SHIM AS REQ'D AT EACH SET OF INSTALLATION ANCHORS USING LOAD BEARING SHIMS. MAX. ALLOWABLE SHIM STACK TO BE 1/4". USE SHIMS WHERE SPACE GREATER THAN 1/16" IS PRESENT.
- (4) #10 WOOD SCREW ANCHORS MUST BE OF SUFFICIENT LENGTH TO ACHIEVE A MIN. EMBEDMENT OF 1 1/2" INTO 2 X WOOD BUCK
- (5) FOR MAX. ALLOWABLE SPACING OF #10 WOOD SCREWS SEE SHEET 1.
- (6) CAULK BEHIND FLANGE WITH LATEX CAULK. APPLICATION OF LATEX CAULK MUST COMPLY WITH SEALANT MANUFACTURERS RECOMMENDATIONS.
- (7) AN APPROVED MEMBRANE OR MATERIAL SHALL BE PLACED BETWEEN ALL DISSIMILAR METALS TO CONTROL GALVANIC CORROSION.
- (8) IF EXACT WINDOW SIZE IS NOT LISTED IN ANCHOR CHART, USE THE NEXT SIZE LARGER WINDOW FOR ANCHOR QUANTITY.
- (9) ALL INSTALLATION ANCHORS MUST BE MADE OF A CORROSION RESISTANT MATERIAL OR COATING.
- (10) SEE SHEET 1 (GENERAL NOTES) FOR DESIGN PRESSURES AND ANCHOR QUANTITIES.



SECTION B - B

WINDOW CRAFTSMEN, INC.
 6031 CLARK CENTER AVE.
 SARASOTA, FLORIDA 34238

TITLE:
 DH-200 INSULATED GLASS VINYL DOUBLE HUNG
 WINDOW INSTALLATION INSTRUCTIONS FOR
 MASONRY WITH 2 BY WOOD BUCK

ENGINEER: MARK A. SMITH	DRAWN BY: MAS	DATE: 01/31/12
DISCIPLINE: CIVIL	SCALE: N.T.S.	DWG. NO. WCI-VDH002
FL. REG. NO.: 55511	REV. LETTER: B	SHEET 6

B F.B.C. 8TH ED.	9/11/23
A ADDED SHEET.	9/20/21