



BUILDING CODE COMPLIANCE OFFICE (BCCO)
PRODUCT CONTROL DIVISION

MIAMI-DADE COUNTY, FLORIDA
METRO-DADE FLAGLER BUILDING
140 WEST FLAGLER STREET, SUITE 1603
MIAMI, FLORIDA 33130-1563
(305) 375-2901 FAX (305) 375-2908
www.buildingcodeonline.com

NOTICE OF ACCEPTANCE (NOA)

Window Craftsmen Inc.
6031 Clark Center Ave
Sarasota, Fl. 34238

SCOPE:

This NOA is being issued under the applicable rules and regulations governing the use of construction materials. The documentation submitted has been reviewed by Miami-Dade County Product Control Division and accepted by the Board of Rules and Appeals (BORA) to be used in Miami Dade County and other areas where allowed by the Authority Having Jurisdiction (AHJ).

This NOA shall not be valid after the expiration date stated below. The Miami-Dade County Product Control Division (In Miami Dade County) and/or the AHJ (in areas other than Miami Dade County) reserve the right to have this product or material tested for quality assurance purposes. If this product or material fails to perform in the accepted manner, the manufacturer will incur the expense of such testing and the AHJ may immediately revoke, modify, or suspend the use of such product or material within their jurisdiction. BORA reserves the right to revoke this acceptance, if it is determined by Miami-Dade County Product Control Division that this product or material fails to meet the requirements of the applicable building code.

This product is approved as described herein, and has been designed to comply with the Florida Building Code, including the High Velocity Hurricane Zone.

DESCRIPTION: Series "50/75" Aluminum Sliding Glass Doors w/ Reinforcements

APPROVAL DOCUMENT: Drawing No. **WC10024**, titled "50/75 Pocket Center Alum SGD" Sheets 1 through 13 of 13, prepared by PTC, LLC dated 08/28/07 and last revised on 11-01-2007, signed and sealed by Marion S. Hampton, P.E., bearing the Miami-Dade County Product Control Approval stamp with the Notice of Acceptance number and approval date by the Miami-Dade County Product Control Division.

MISSILE IMPACT RATING: None: Approved Hurricane Protection Devices complying w/ FBC, as applicable are required

Limitation: Pocket walls, pocket extension and pocket installation is not part of this approval.

LABELING: Each unit shall bear a permanent label with the manufacturer's name or logo, city, state and following statement: "Miami-Dade County Product Control Approved", unless otherwise noted herein.

RENEWAL of this NOA shall be considered after a renewal application has been filed and there has been no change in the applicable building code negatively affecting the performance of this product.

TERMINATION of this NOA will occur after the expiration date or if there has been a revision or change in the materials, use, and/or manufacture of the product or process. Misuse of this NOA as an endorsement of any product, for sales, advertising or any other purposes shall automatically terminate this NOA. Failure to comply with any section of this NOA shall be cause for termination and removal of NOA.

ADVERTISEMENT: The NOA number preceded by the words Miami-Dade County, Florida, and followed by the expiration date may be displayed in advertising literature. If any portion of the NOA is displayed, then it shall be done in its entirety.

INSPECTION: A copy of this entire NOA shall be provided to the user by the manufacturer or its distributors and shall be available for inspection at the job site at the request of the Building Official.

This NOA and consists of this page 1 and evidence pages E-1, as well as approval document mentioned above. The submitted documentation was reviewed by **Ishaq I. Chanda, P. E.**



NOA No 06-1204.06
Expiration Date: November 29, 2012
Approval Date: November 29, 2007
Page 1

NOTICE OF ACCEPTANCE: EVIDENCE SUBMITTED

A. DRAWINGS

1. Manufacturer's die drawings and sections.
2. Drawing No. **WC10024**, titled "50/75 Pocket Center Alum SGD" Sheets 1 through 13 of 13, prepared by PTC, LLC dated 08/28/07 and last revised on 11-01-2007, signed and sealed by Marion S. Hampton, P.E.

B. TESTS

1. Test reports on
 - 1) Air Infiltration Test, per FBC, TAS 202-94
 - 2) Uniform Static Air Pressure Test, Loading per FBC, TAS 202-94
 - 3) Water Resistance Test, per FBC, TAS 202-94
 - 4) Forced Entry Test per FBC, TAS 202-94

Along with marked-up drawings and installation diagram of Alum sliding glass door, prepared by National Certified Testing Lab, Test Report No. NCTL210-3220-1B dated 07-21-06, signed and sealed by Gerald J. Ferrara, P.E.

C. CALCULATIONS

1. Anchor verification calculations complying w/ FBC 2004, dated 08/28/07, prepared by PTC, LLC, signed & sealed by Marion S. Hampton, P.E.
2. Glazing complies w/ ASTM E-1300-02

D. QUALITY ASSURANCE

1. Miami Dade Building Code Compliance Office (BCCO).

E. MATERIAL CERTIFICATIONS

1. None

F. STATEMENTS

1. Statement letter of conformance & no financial interest, dated 08/28/07, signed by Marion S. Hampton, P.E.
2. Lab compliance statement as part of above test reports.

G. OTHER

1. None

Ishaq I. Chanda

Ishaq I. Chanda, P. E.

Product Control Examiner

NOA No 06-1204.06

Expiration Date: November 29, 2012

Approval Date: November 29, 2007

WINDOW CRAFTSMEN, INC.

SERIES 50/75 POCKET CENTER MEET/BYPASS ALUMINUM SLIDING GLASS DOOR (NON-IMPACT)

GENERAL NOTES:

1. THE PRODUCT SHOWN HEREIN IS DESIGNED AND MANUFACTURED TO COMPLY WITH THE 2004 FLORIDA BUILDING CODE (FBC) AND ITS 2005, 2006 AND 2007 SUPPLEMENTS, INCLUDING HIGH VELOCITY HURRICANE ZONE (HVHZ) REQUIREMENTS.
2. ADEQUACY OF THE EXISTING STRUCTURAL CONCRETE/MASONRY AND 2X FRAMING AS A MAIN WIND FORCE RESISTING SYSTEM CAPABLE OF WITHSTANDING AND TRANSFERRING APPLIED PRODUCT LOADS TO THE FOUNDATION IS THE RESPONSIBILITY OF THE ENGINEER OR ARCHITECT OF RECORD FOR THE PROJECT OF INSTALLATION.
3. 1X AND 2X BUCKS (WHEN USED) SHALL BE DESIGNED AND ANCHORED TO PROPERLY TRANSFER ALL LOADS TO THE STRUCTURE. BUCK DESIGN AND INSTALLATION IS THE RESPONSIBILITY OF THE ENGINEER OR ARCHITECT OF RECORD FOR THE PROJECT OF INSTALLATION.
4. THE INSTALLATION DETAILS DESCRIBED HEREIN ARE GENERIC AND MAY NOT REFLECT ACTUAL CONDITIONS FOR A SPECIFIC SITE. IF SITE CONDITIONS CAUSE INSTALLATION TO DEVIATE FROM THE REQUIREMENTS DETAILED HEREIN, THEN THE BUILDING OFFICIAL MAY ELECT ONE OF THE FOLLOWING OPTIONS:
 - A. OUTSIDE HVHZ: REQUIRE THAT A LICENSED ENGINEER OR ARCHITECT PREPARE AND SUBMIT SITE SPECIFIC DOCUMENTS FOR USE WITH THIS DOCUMENT.
 - B. INSIDE HVHZ: REQUIRE THAT A ONE-TIME SITE SPECIFIC APPROVAL BE APPLIED FOR AND OBTAINED FROM THE MIAMI-DADE COUNTY PRODUCT CONTROL DIVISION.

5. IN HVHZ AREAS, USE OF AN APPROVED IMPACT PROTECTIVE SYSTEM COMPLYING WITH THE HVHZ REQUIREMENTS OF THE FBC IS MANDATORY FOR THIS PRODUCT. IN NON-HVHZ AREAS WHERE WINDBORNE DEBRIS PROTECTION REQUIREMENTS EXIST, USE OF AN IMPACT PROTECTIVE SYSTEM COMPLYING WITH THE FBC REQUIREMENTS FOR WINDBORNE DEBRIS REGIONS IS MANDATORY FOR THIS PRODUCT.
6. DOOR FRAME MATERIAL: ALUMINUM 6063 T5 & T6
7. GLASS MEETS THE REQUIREMENTS OF ASTM E1300 GLASS CHARTS. SEE SHEET 9 FOR GLAZING DETAIL.
8. DESIGNATIONS "X" AND "O" STAND FOR THE FOLLOWING:
 - A. X: OPERABLE PANEL
 - B. O: FIXED PANEL
9. SEAM SEAL ALL MAIN FRAME JOINTS.
10. A 1/3 INCREASE IN ALLOWABLE STRESS FOR WIND LOADS WAS NOT USED IN THE DESIGN OF THE PRODUCTS SHOWN HEREIN. WIND LOAD DURATION FACTOR (CD=1.6) HAS BEEN USED FOR WOOD ANCHOR DESIGN.

INSTALLATION NOTES:

1. UNLESS OTHERWISE NOTED, A MINIMUM OF TWO (2) INSTALLATION ANCHORS ARE REQUIRED AT EACH ANCHOR LOCATION SHOWN.
2. SHIM AS REQUIRED AT EACH INSTALLATION ANCHOR WITH LOAD BEARING SHIM(S). MAXIMUM ALLOWABLE SHIM SIZE IS 1/4 INCH. SHIM WHERE SPACE OF 1/16 INCH OR GREATER OCCURS. SHIM(S) SHALL BE CONSTRUCTED OF HIGH DENSITY PLASTIC OR BETTER.
3. FOR INSTALLATION INTO WOOD FRAMING, USE #12 WOOD SCREWS OF SUFFICIENT LENGTH TO ACHIEVE 1 1/2 INCH MINIMUM EMBEDMENT.
4. FOR INSTALLATION THROUGH 1X BUCK TO CONCRETE/MASONRY, OR DIRECTLY INTO CONCRETE/MASONRY, USE 1/4 INCH ITW TAPCONS OF SUFFICIENT LENGTH TO ACHIEVE 1 1/4 INCH MINIMUM EMBEDMENT.
5. MINIMUM EMBEDMENT AND EDGE DISTANCE EXCLUDE WALL FINISHES, (INCLUDING BUT NOT LIMITED TO STUCCO, FOAM, BRICK VENEER, AND SIDING).
6. INSTALLATION ANCHORS AND ASSOCIATED HARDWARE MUST BE MADE OF CORROSION RESISTANT MATERIAL OR HAVE A CORROSION RESISTANT COATING.
7. FOR HOLLOW BLOCK AND GROUT FILLED BLOCK, DO NOT INSTALL INSTALLATION ANCHORS INTO MORTAR JOINTS. EDGE DISTANCE IS MEASURED FROM FREE EDGE OF BLOCK OR EDGE OF MORTAR JOINT INTO FACE SHELL OF BLOCK.
8. INSTALLATION ANCHORS SHALL BE INSTALLED IN ACCORDANCE WITH ANCHOR MANUFACTURER'S INSTALLATION INSTRUCTIONS, AND ANCHORS SHALL NOT BE USED IN SUBSTRATES WITH STRENGTHS LESS THAN THE MINIMUM STRENGTH SPECIFIED BELOW.
9. INSTALLATION ANCHOR CAPACITIES FOR PRODUCTS HEREIN ARE BASED ON SUBSTRATE MATERIALS WITH THE FOLLOWING PROPERTIES:
 - A. WOOD - MINIMUM SPECIFIC GRAVITY OF 0.50.
 - B. CONCRETE - MINIMUM COMPRESSIVE STRENGTH OF 3192 PSI.
 - C. MASONRY - STRENGTH CONFORMANCE TO ASTM C-90, GRADE N, TYPE 1 (OR GREATER).

LEGEND:

- D.L.O.- DAY LIGHT OPENING
 O.A.- OVERALL
 O.C.- ON CENTER
 TYP.- TYPICAL
 U.N.- UNLESS NOTED
 ▷ - INDICATES SPECIFIC NOTE ON SAME SHEET CORRESPONDING TO THE LETTER DESIGNATION INDICATED IN FLAG.

DESIGN PRESSURE RATING			
PRODUCT	WHERE WATER INFILTRATION REQUIREMENT IS NEEDED *	WHERE NO WATER INFILTRATION REQUIREMENT IS NEEDED	IMPACT RATING
50 SERIES	±50.0 PSF	±50.0 PSF	NONE
75 SERIES	±75.0 PSF	±75.0 PSF	

* PRODUCT MUST BE CONSTRUCTED WITH SILL RISER (B.O.M. ITEM #4).

TABLE OF CONTENTS		
SHEET	REVISION	SHEET DESCRIPTION
1	A	GENERAL AND INSTALLATION NOTES
2	B	ELEVATION LAYOUT
3	B	INSTALLATION ANCHOR LAYOUT (75 SERIES)
4	B	VERTICAL INSTALLATION DETAILS (75 SERIES)
5	B	HORIZONTAL INSTALLATION DETAILS (75 SERIES)
6	A	INSTALLATION ANCHOR LAYOUT (50 SERIES)
7	B	VERTICAL INSTALLATION DETAILS (50 SERIES)
8	A	HORIZONTAL INSTALLATION DETAILS (50 SERIES)
9	B	BILL OF MATERIALS AND GLAZING DETAIL
10	A	COMPONENTS
11	B	COMPONENTS
12	A	ALTERNATE CONFIGURATIONS

			AS REQUIRED BY MIAMI DADE DELETED T.O.C. SHEET 13	10/26/07	CB
			A		REV
					DESCRIPTION
					DATE
					BY

WINDOW CRAFTSMEN
 6031 CLARK CENTER AVE.
 SARASOTA, FLORIDA 34238

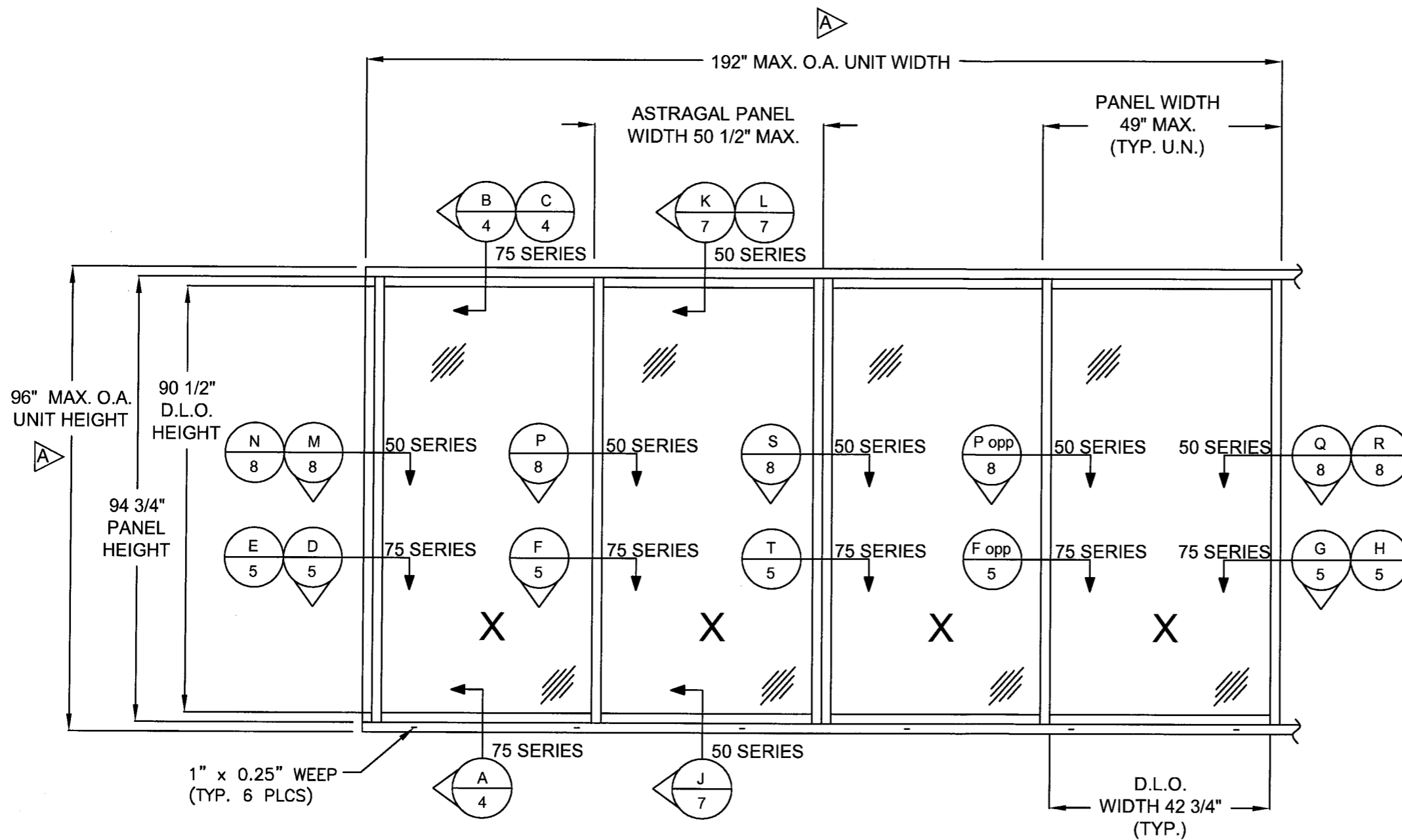
TITLE: SERIES 50/75 POCKET CENTER MEET BYPASS ALUM. SGD
 GENERAL AND INSTALLATION NOTES

PREPARED BY: PTC, LLC
 DRAWN BY: CB
 DATE: 08/28/07
 SCALE: N.T.S.
 DRAWING NO.: WC10024
 SHEET: 1 OF 12

PC
 PTC, LLC
 Phone 321.680.1768 Fax 321.680.1769

Approved as complying with the
 Florida Building Code
 Date November 29, 2007
 NOA# 06-1204-06
 Miami Dade Product Control
 Division
 By Shaq I. Chaudhry

PTC, LLC
 1535 Cogswell Street, Suite C25
 Rockledge, Florida 32955
 FBPE Certificate of Authorization NO. 25935



PANEL POCKET AREA
(POCKET FRAMING NOT
SHOWN FOR CLARITY)

ELEVATION

(EXTERIOR XXXX CONFIGURATION)

SPECIFIC NOTES:

- A** WIDTH AND HEIGHT MAY VARY, NOT TO EXCEED MAXIMUM UNIT AND PANEL SIZES SHOWN. SEE SHEET 12 FOR APPROVED CONFIGURATIONS. NOTE: THE ENGINEER OR ARCHITECT OF RECORD FOR THE PROJECT OF INSTALLATION MUST ENSURE THE UNIT AND PANEL SIZES MEET APPLICABLE FBC EGRESS REQUIREMENTS.
- B** PANEL POCKET FRAMING IS NOT PART OF THIS APPROVAL, AND WHEN USED SHALL BE INSTALLED IN ACCORDANCE WITH MANUFACTURER'S SPECIFICATIONS.

REV	DESCRIPTION	DATE	BY
B	AS REQUESTED BY MIAMI DADE	10/26/07	CB
A	AS REQUESTED BY MIAMI DADE	08/28/07	CB

WINDOW CRAFTSMEN
6031 CLARK CENTER AVE.
SARASOTA, FLORIDA 34238

TITLE: SERIES 50/75 POCKET CENTER MEET BYPASS ALUM. SGD ELEVATION LAYOUT

DATE: 08/29/06
DRAWING NO.: WC10024
SHEET: 2 OF 12

PREPARED BY: PTC, LLC
SCALE: N.T.S.
REV: B

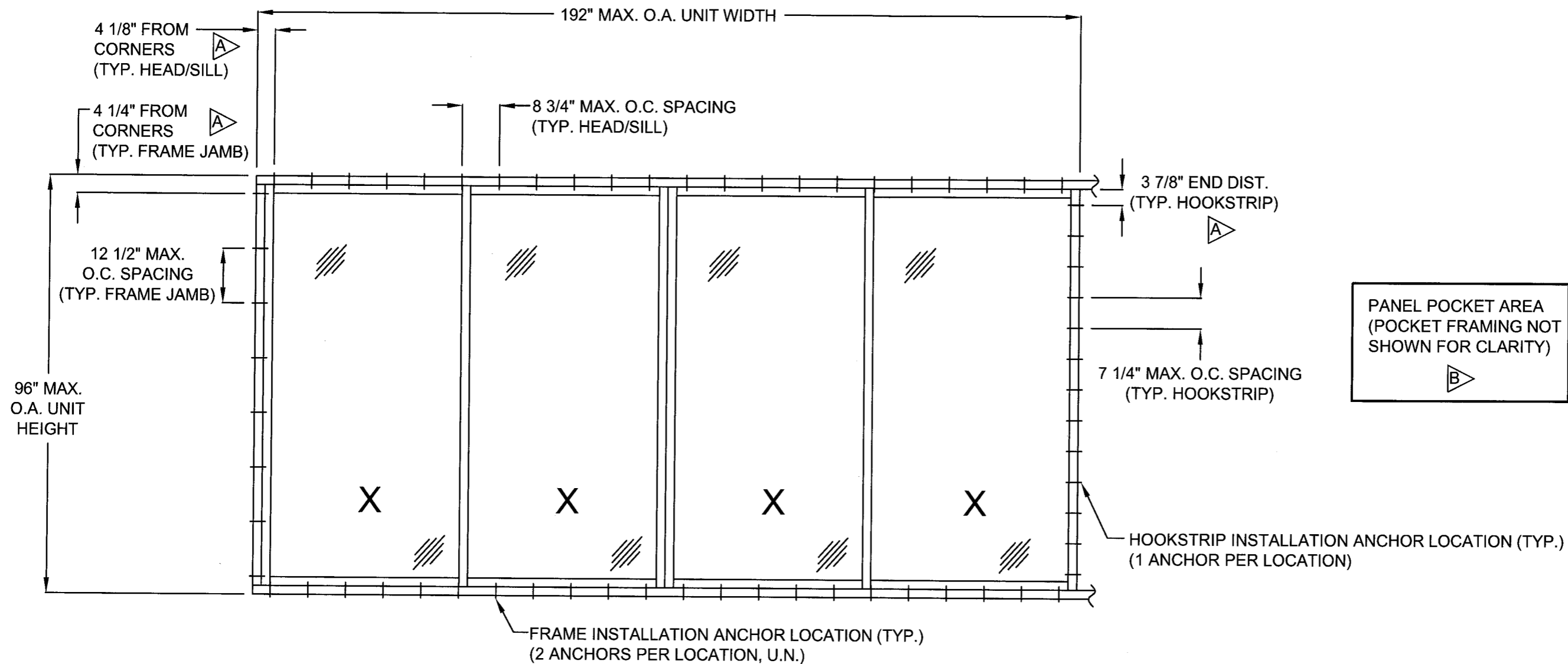
Phone 321.660.1788 Fax 321.660.1789

Marion S. Hampton
Florida P. E. No. 55863

Marion S. Hampton
11/1/07

PTC, LLC
1535 Cogswell Street, Suite C25
Rockledge, Florida 32955
FBPE Certificate of Authorization No. 25935

Approved as complying with the
Florida Building Code
Date NOV 29, 2007
NOAH 06-1204-06
Miami Dade Product Control
Division
By (Shaq) L. Lland



INSTALLATION ANCHOR LAYOUT

(EXTERIOR ELEVATION)

75 SERIES

SPECIFIC NOTES:

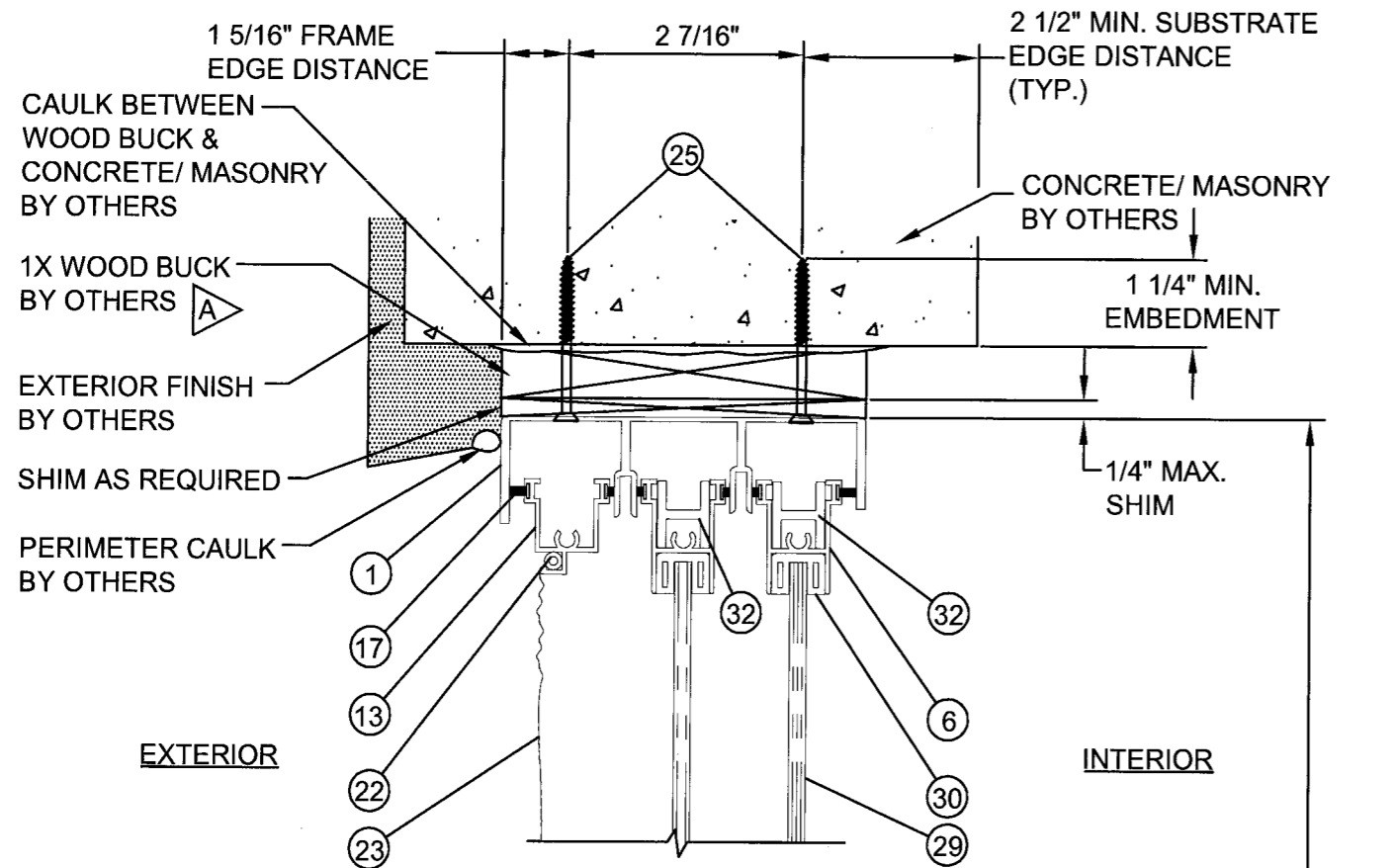
- A** FRAME CORNER INDENTATION / HOOKSTRIP END DISTANCE, AS SHOWN, CORRESPONDS WITH INDICATED UNIT WIDTH AND HEIGHT. FOR OTHER UNIT WIDTHS AND HEIGHTS, MAX. CORNER INDENTATION FOR HEAD / SILL / JAMBS IS 6 1/2" AND MAX. END DISTANCE FOR HOOK STRIP IS 5".
- B** PANEL POCKET FRAMING IS NOT PART OF THIS APPROVAL, AND WHEN USED SHALL BE INSTALLED IN ACCORDANCE WITH MANUFACTURER'S SPECIFICATIONS.

Approved as complying with the
Florida Building Code
Date Nov 29, 2007
NOA# 06-1204-06
Miami Dade Product Control
Division
By Ishaq I. Chaudhry

<p>WINDOW CRAFTSMEN 6031 CLARK CENTER AVE. SARASOTA, FLORIDA 34238</p> <p>TITLE: SERIES 50/75 POCKET CENTER MEET BYPASS ALUM. SGD INSTALLATION ANCHOR LAYOUT (75 SERIES)</p> <p>PREPARED BY: CB SCALE: N.T.S. REV: B</p> <p>DATE: 08/29/06 DRAWING NO.: WC10024 SHEET: 3 OF 12</p> <p>Phone 321.660.1788 Fax 321.660.1786</p>	<table border="1" style="width: 100%; border-collapse: collapse;"> <tr> <td style="width: 25%;"></td> <td style="width: 25%;"></td> <td style="width: 25%;"></td> <td style="width: 25%;"></td> </tr> <tr> <td>AS REQUESTED BY MIAMI DADE</td> <td>10/26/07</td> <td>CB</td> <td>BY</td> </tr> <tr> <td>AS REQUESTED BY MIAMI DADE</td> <td>08/28/07</td> <td>CB</td> <td>DATE</td> </tr> <tr> <td>DESCRIPTION</td> <td></td> <td></td> <td></td> </tr> </table>					AS REQUESTED BY MIAMI DADE	10/26/07	CB	BY	AS REQUESTED BY MIAMI DADE	08/28/07	CB	DATE	DESCRIPTION			
AS REQUESTED BY MIAMI DADE	10/26/07	CB	BY														
AS REQUESTED BY MIAMI DADE	08/28/07	CB	DATE														
DESCRIPTION																	

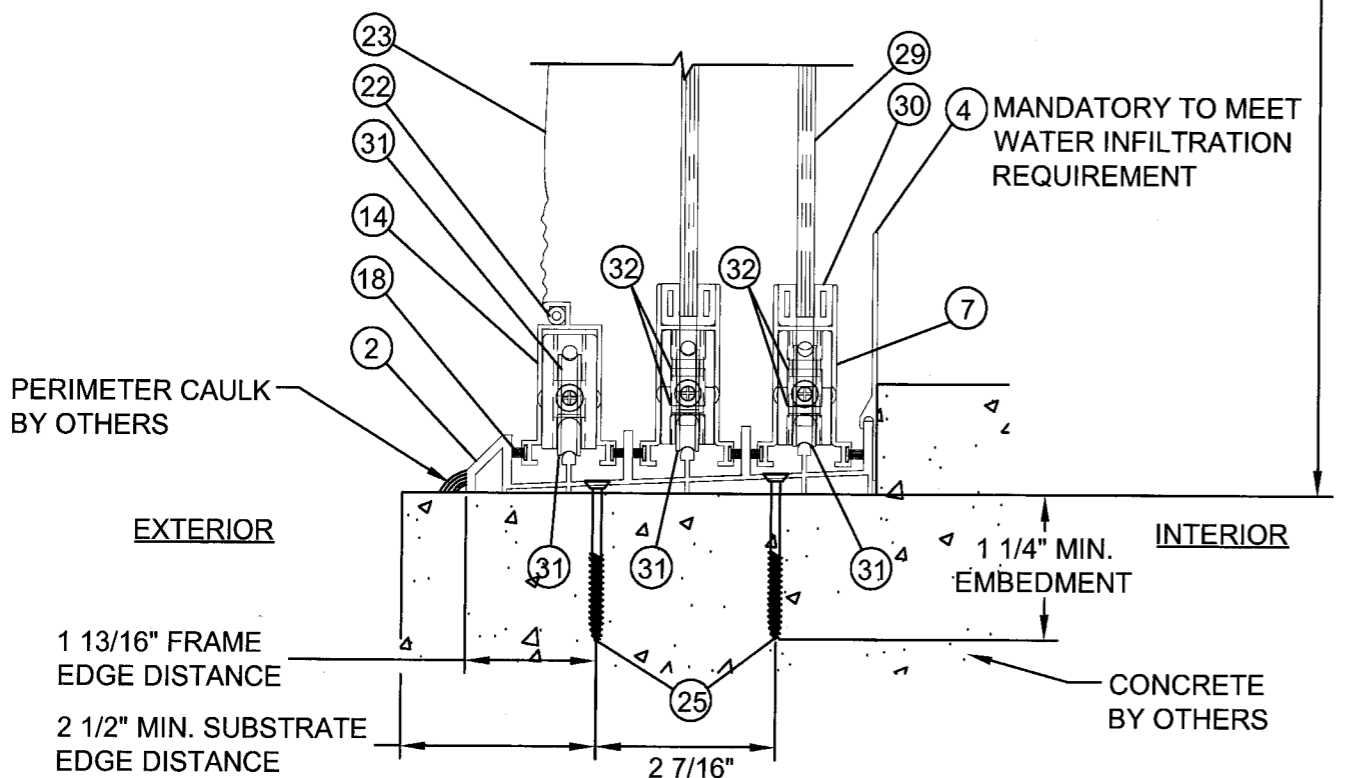
Marlon S. Hampton
Florida P.E. No. 56863
Marlon S. Hampton
11/1/07

PTC, LLC
1535 Cogswell Street, Suite C25
Rockledge, Florida 32955
FBPE Certificate of Authorization NO. 25935



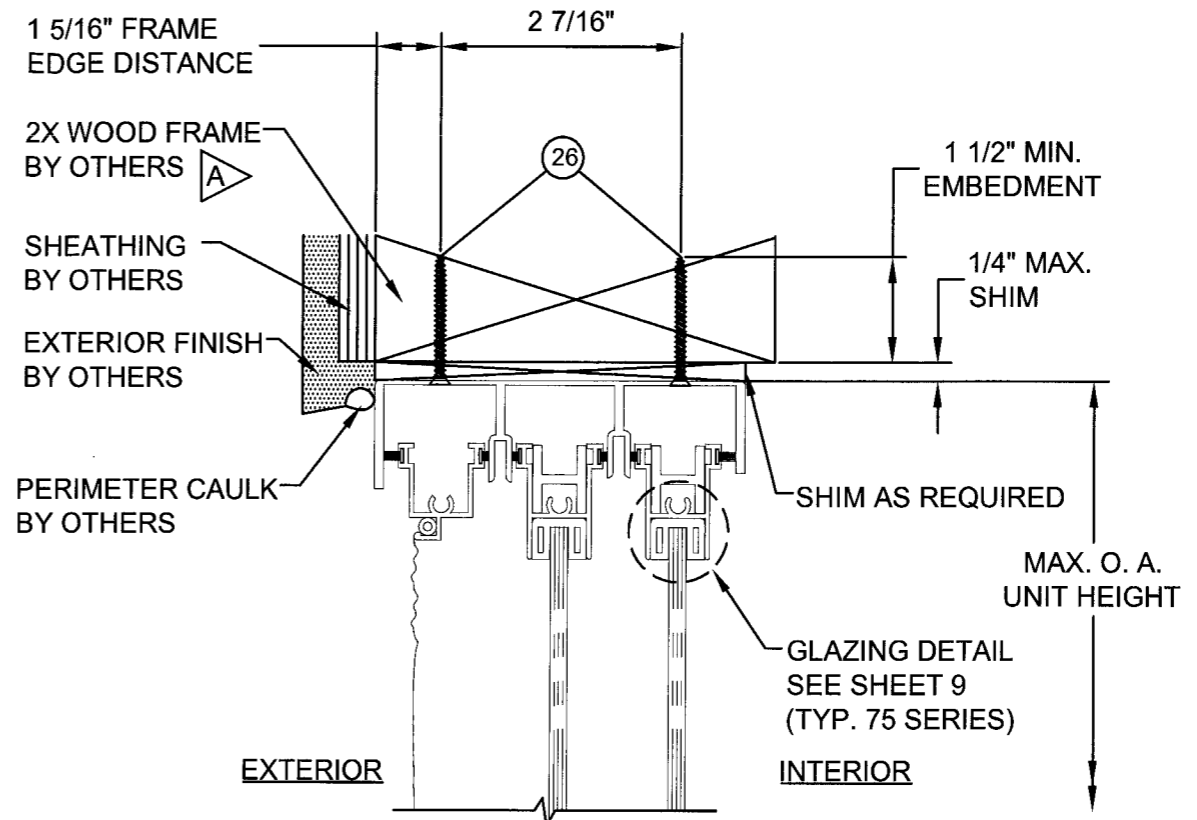
B
4 VERTICAL SECTION
CONCRETE/MASONRY SUBSTRATE

MAX. O. A. UNIT HEIGHT



A
4 VERTICAL SECTION
CONCRETE SUBSTRATE

75 SERIES



C
4 VERTICAL SECTION
WOOD SUBSTRATE

(FOR ITEM NUMBERS NOT SHOWN
SEE VERTICAL SECTION B)

Approved as complying with the
Florida Building Code
Date Nov 29, 2007
NOAH# 06-1704.06
Miami Dade Product Control
Division
By Isaac I. Chanda

SPECIFIC NOTE:
A WIDTH OF 1x BUCK AND 2x FRAME SHALL BE GREATER THAN OR EQUAL TO DOOR FRAME WIDTH. (ALSO, SEE GENERAL NOTE 2 AND 3, SHEET 1)

		CB	BY
	10/26/07	CB	
AS REQUIRED BY MIAMI DADE	08/28/07	CB	
AS REQUIRED BY MIAMI DADE		DATE	
B	A	REV	DESCRIPTION

WINDOW CRAFTSMEN
6031 CLARK CENTER AVE.
SARASOTA, FLORIDA 34238

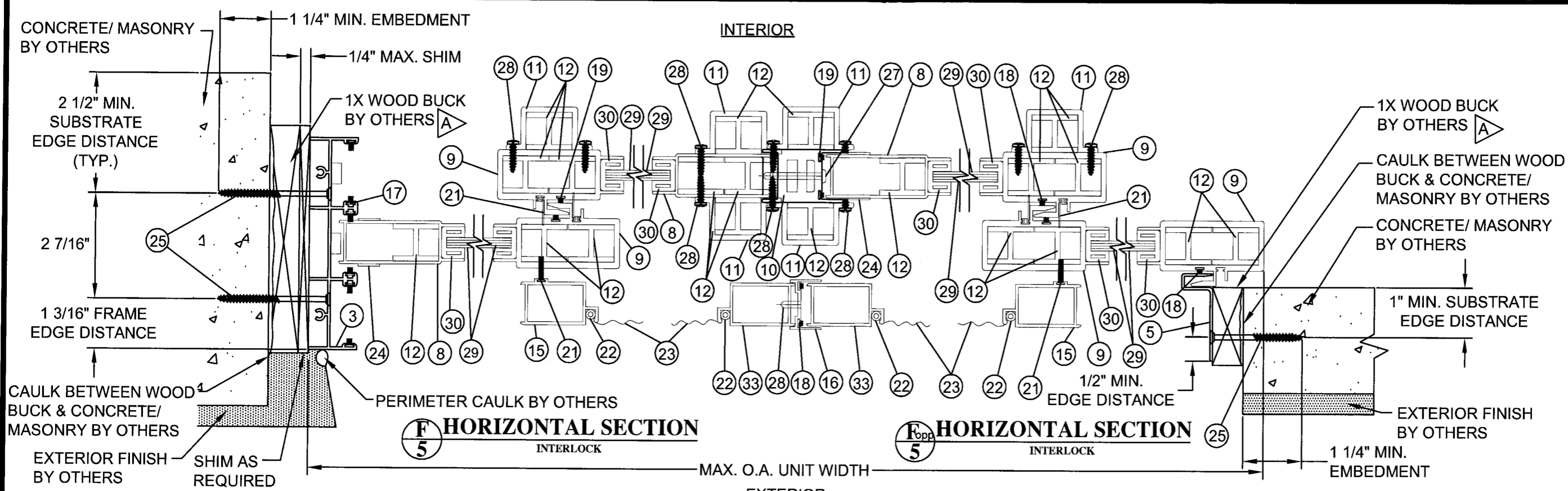
TITLE: SERIES 50/75 POCKET CENTER MEET BYPASS ALUM. SGD VERTICAL INSTALLATION DETAILS (75 SERIES)

PREPARED BY: PTC, LLC
DRAWN BY: CB
DATE: 08/29/06
SCALE: N.T.S.
REV: B
SHEET: 4 OF 12

Phone 321.660.1788 Fax 321.660.1786

Marlon S. Hampton
Florida P. E. No. 55863
11/11/07

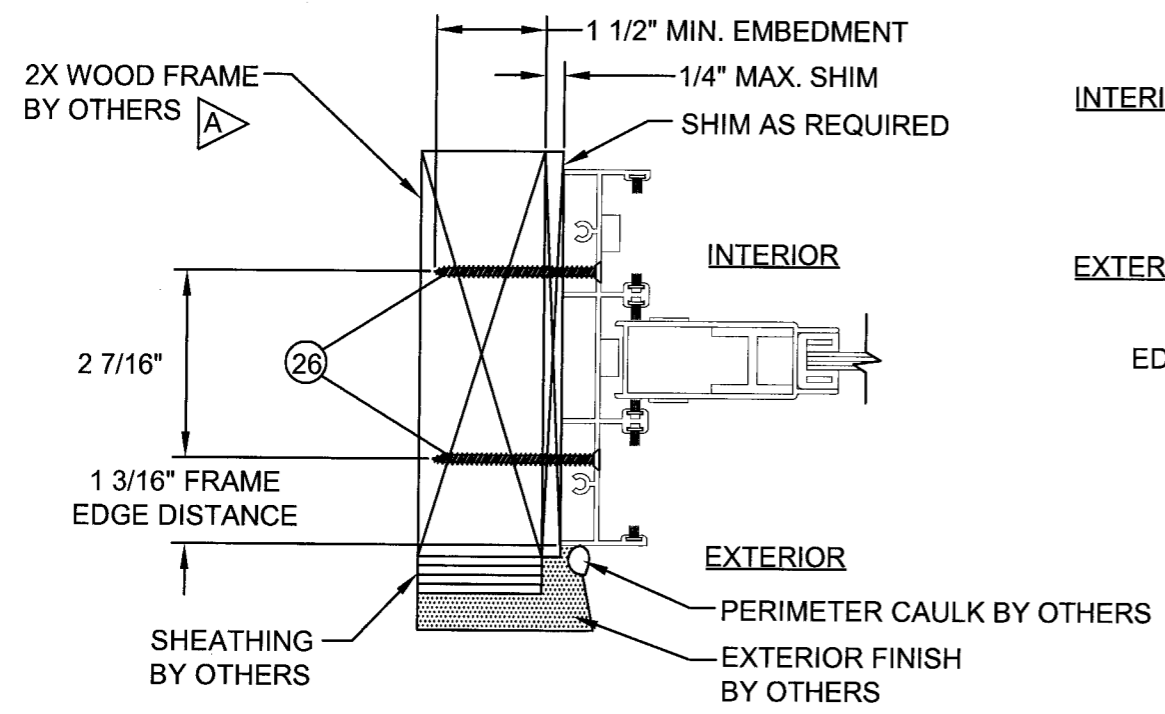
PTC, LLC
1535 Cogswell Street, Suite C25
Rockledge, Florida 32955
FBPE Certificate of Authorization NO. 25935



(D) HORIZONTAL SECTION
5 CONCRETE/ MASONRY SUBSTRATE

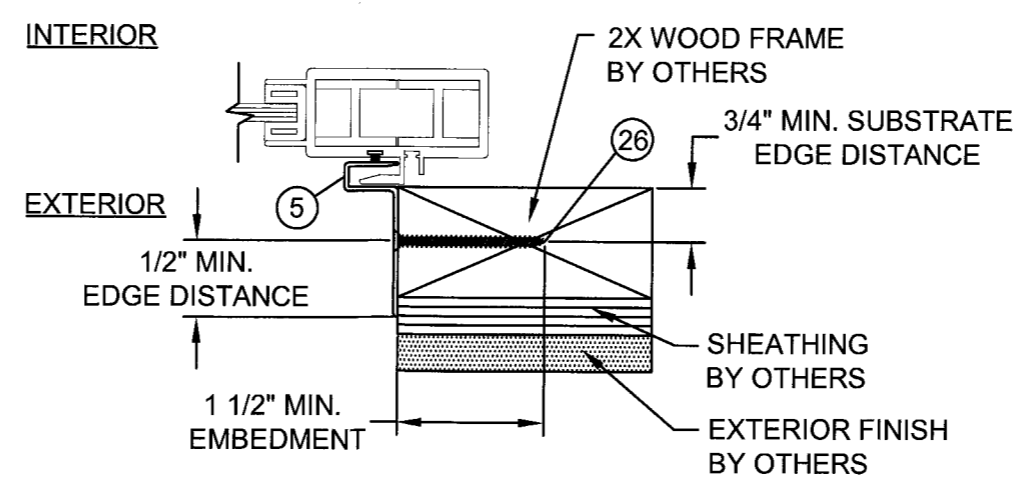
(T) HORIZONTAL SECTION
5 ASTRAGAL

(G) HORIZONTAL SECTION
5 CONCRETE/ MASONRY SUBSTRATE



(E) HORIZONTAL SECTION
5 WOOD SUBSTRATE

(FOR ITEM NUMBERS NOT SHOWN SEE VERTICAL SECTION D)



(H) HORIZONTAL SECTION
5 WOOD SUBSTRATE

(FOR ITEM NUMBERS NOT SHOWN SEE HORIZONTAL SECTION G)

75 SERIES

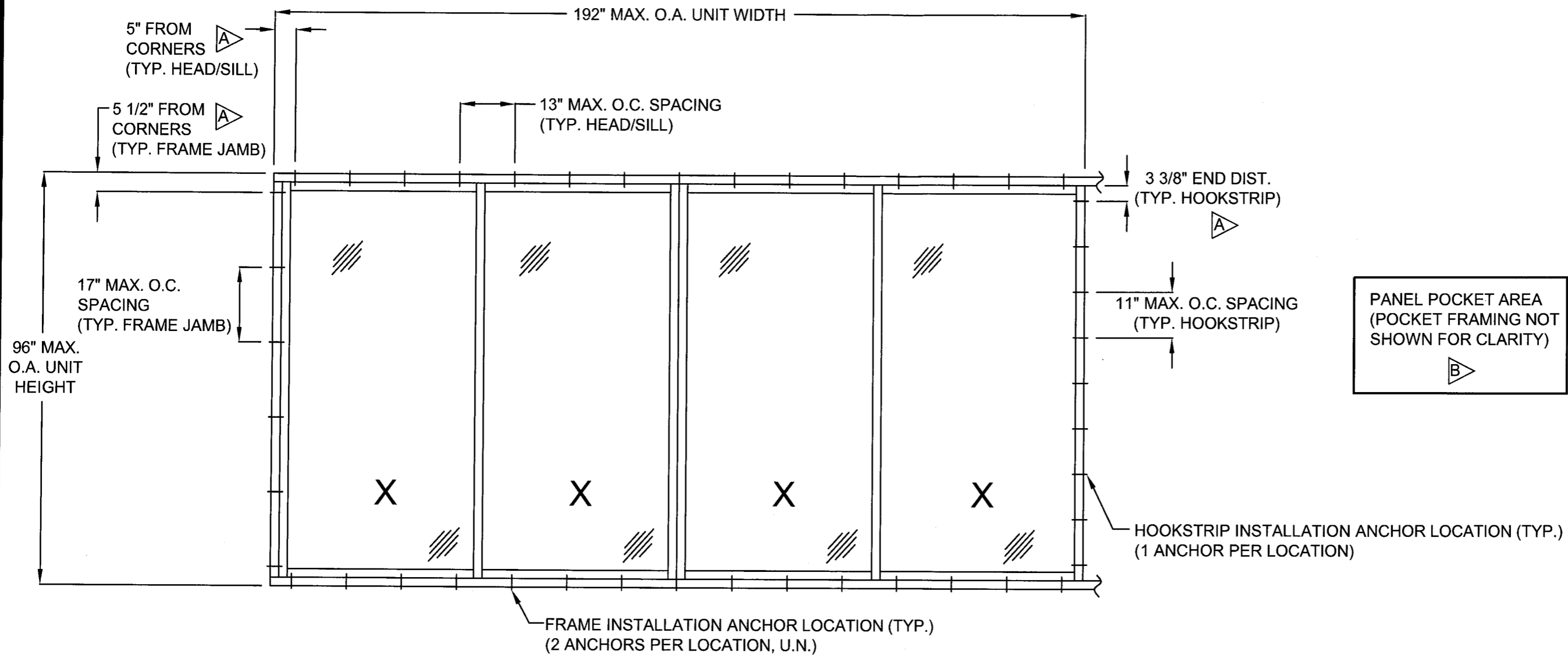
SPECIFIC NOTE:

(A) WIDTH OF 1x BUCK AND 2x FRAME SHALL BE GREATER THAN OR EQUAL TO DOOR FRAME WIDTH. (ALSO, SEE GENERAL NOTE 2 AND 3, SHEET 1)

Approved as complying with the Florida Building Code
Date: Nov 29, 2007
NOA# 06-1204-01
Miami Dade Product Control
Division
By: Shag J. Chanda

WINDOW CRAFTSMEN 6031 CLARK CENTER AVE. SARASOTA, FLORIDA 34238		DRAWN BY: CB	DATE: 08/29/06
TITLE: SERIES 50/75 POCKET CENTER MEET BYPASS ALUM. SGD HORIZONTAL INSTALLATION DETAILS (75 SERIES)		SCALE: N.T.S.	DRAWING NO.: WC10024
PREPARED BY: PTC, LLC Phone 321.690.1788 Fax 321.690.1789		REV: B	SHEET: 5 OF 12
AS REQUESTED BY MIAMI DADE	10/26/07	CB	DATE
AS REQUESTED BY MIAMI DADE	08/28/07	CB	DATE
DESCRIPTION	REV	A	DATE

Marion S. Hampton
Florida P. E. No. 55863
Marion S. Hampton
11/1/07
PTC, LLC
1535 Cogswell Street, Suite C25
Rockledge, Florida 32955
FBPE Certificate of Authorization NO. 25935



**INSTALLATION
ANCHOR LAYOUT**
(EXTERIOR ELEVATION)

50 SERIES

SPECIFIC NOTES:

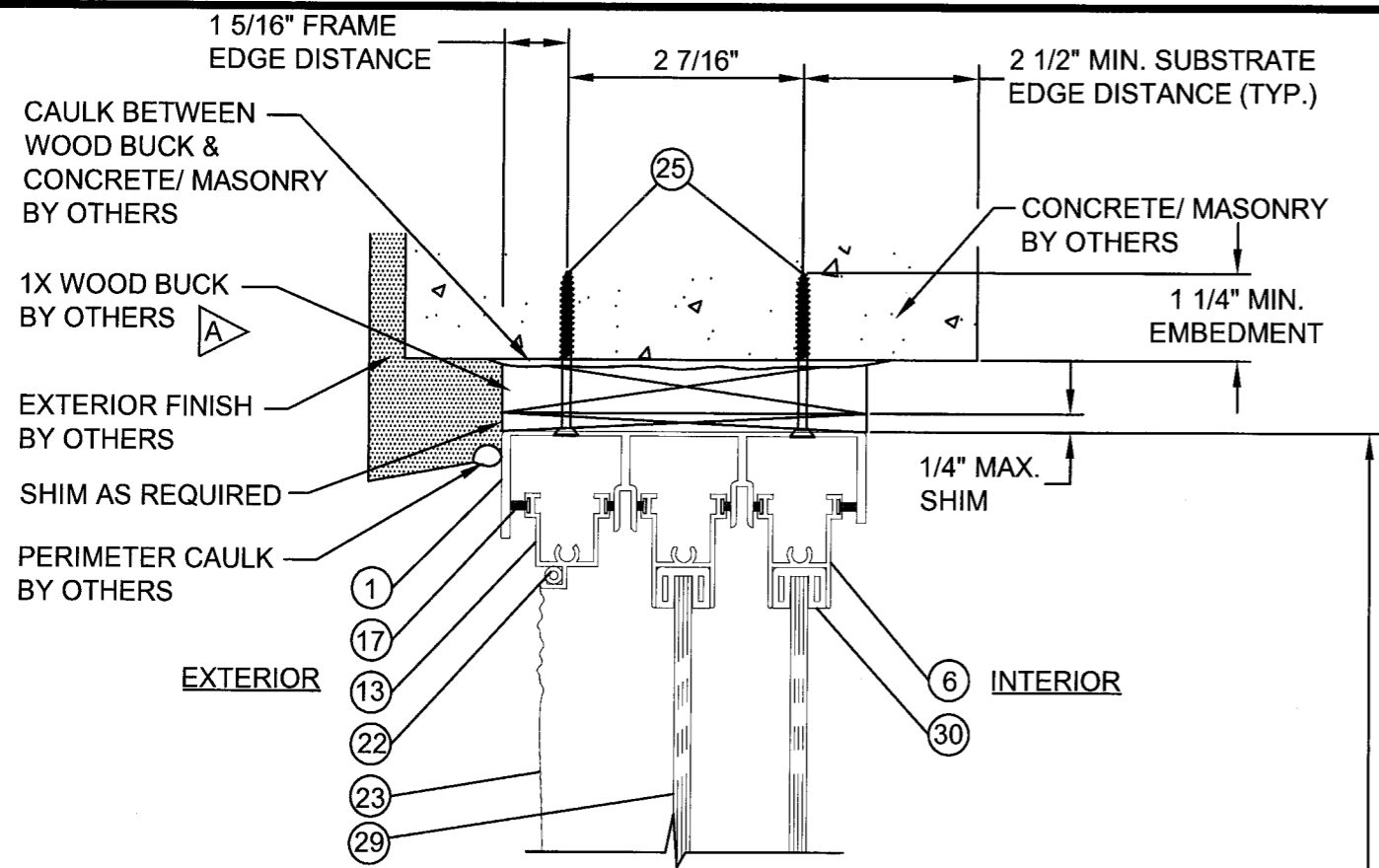
- A** FRAME CORNER INDENTATION / HOOKSTRIP END DISTANCE, AS SHOWN, CORRESPONDS WITH INDICATED UNIT WIDTH AND HEIGHT. FOR OTHER UNIT WIDTHS AND HEIGHTS, MAX. CORNER INDENTATION FOR HEAD / SILL / JAMBS IS 6 1/2" AND MAX. END DISTANCE FOR HOOK STRIP IS 5".
- B** PANEL POCKET FRAMING IS NOT PART OF THIS APPROVAL, AND WHEN USED SHALL BE INSTALLED IN ACCORDANCE WITH MANUFACTURER'S SPECIFICATIONS.

Approved as complying with the
Florida Building Code
Date Nov 29, 2007
NOAH# 06-1204-06
Miami Dade Product Control
Division
By Ishag I. Uhand

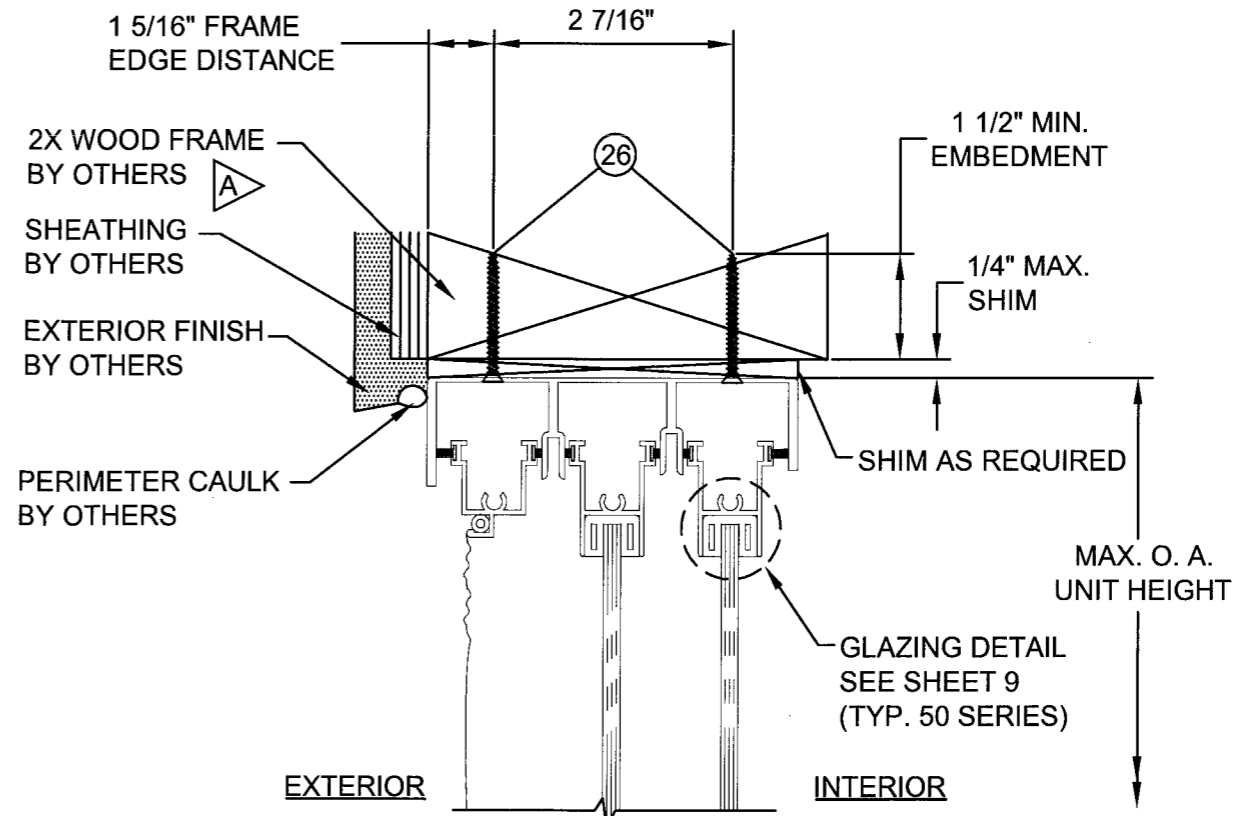
Morton S. Hampton
Florida P. E. No. 55863
Morton S. Hampton
11/1/07
PTC, LLC
1535 Cogswell Street, Suite C25
Rockledge, Florida 32955
FBPE Certificate of Authorization NO. 25935

WINDOW CRAFTSMEN
6031 CLARK CENTER AVE.
SARASOTA, FLORIDA 34238
TITLE: SERIES 50/75 POCKET CENTER MEET BYPASS ALUM. SGD
INSTALLATION ANCHOR LAYOUT (50 SERIES)
PREPARED BY: PTC, LLC
DRAWN BY: CB
SCALE: N.T.S.
DATE: 08/28/07
DRAWING NO.: WC10024
SHEET: 6 OF 12
REV: A

REV	DESCRIPTION	DATE	BY
A	AS REQUESTED BY MIAMI DADE	10/26/07	CB

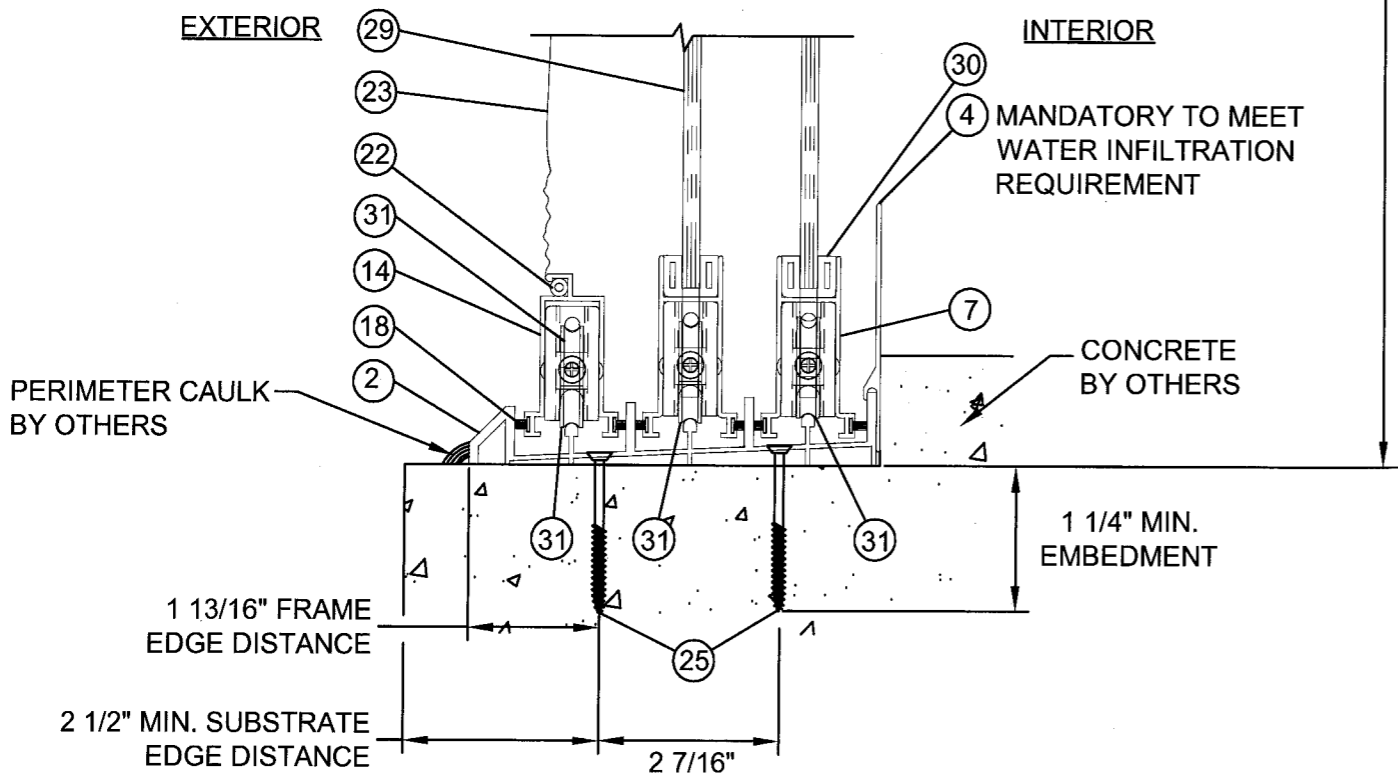


K
7
VERTICAL SECTION
CONCRETE/MASONRY SUBSTRATE



L
7
VERTICAL SECTION
WOOD SUBSTRATE

(FOR ITEM NUMBERS NOT SHOWN
SEE VERTICAL SECTION K)



J
7
VERTICAL SECTION
CONCRETE SUBSTRATE

MAX. O. A.
UNIT HEIGHT

MAX. O. A.
UNIT HEIGHT

50 SERIES

SPECIFIC NOTE:

A WIDTH OF 1x BUCK AND 2x FRAME SHALL BE GREATER THAN OR EQUAL TO DOOR FRAME WIDTH. (ALSO, SEE GENERAL NOTE 2 AND 3, SHEET 1)

Approved as complying with the
Florida Building Code
Date Nov 29, 2007
NOAH 06-1204-06
Miami Dade Product Control
Division
By Shay I. Lhand

	CB	CB	BY
	10/26/07	08/28/07	DATE
AS REQUESTED BY MIAMI DADE		AS REQUESTED BY MIAMI DADE	DESCRIPTION
B	A	REV	

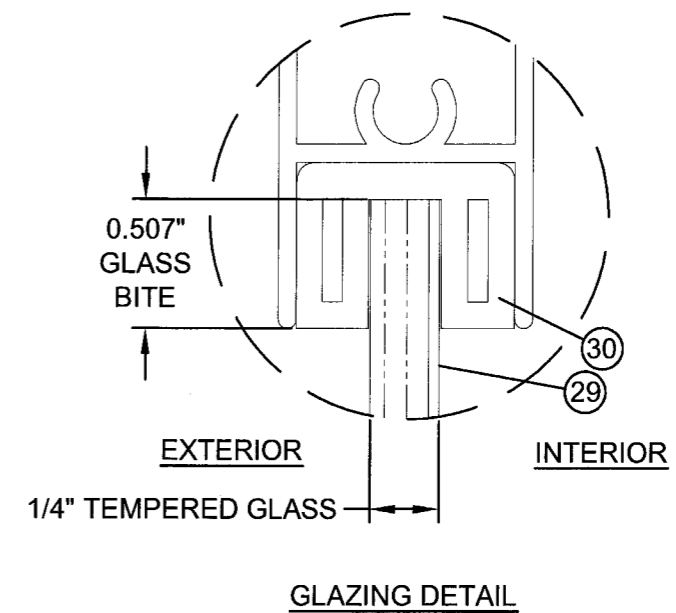
WINDOW CRAFTSMEN 6031 CLARK CENTER AVE. SARASOTA, FLORIDA 34238		DATE: 08/29/06	SCALE: CB	REV: B
TITLE: SERIES 50/75 POCKET CENTER MEET BYPASS ALUM. SGD VERTICAL INSTALLATION DETAILS (50 SERIES)		DRAWING NO.: WC10024	SCALE: N.T.S.	REV: B
DRAWN BY: N.T.S.		DATE: 08/29/06	SCALE: CB	REV: B
PREPARED BY: PTC, LLC		DATE: 08/29/06	SCALE: N.T.S.	REV: B
Phone 321.690.1788 Fax 321.690.1789		SHEET: 7 OF 12		

Marlon S. Hampton
Florida P. E. No. 55863
Marlon S. Hampton
11/1/07
PTC, LLC
1535 Cogswell Street, Suite C25
Rockledge, Florida 32955
FBPE Certificate of Authorization NO. 25935

Approved as complying with the
Florida Building Code
Date Nov 29, 2007
NOAH 06-1204-06
Miami Dade Product Control
Division
By Shay I. Lhand

BILL OF MATERIALS

ITEM #	PART #	DESCRIPTION	MATERIAL	VENDOR
1	WCR-79670-1	THREE TRACK HEAD	ALUM 6063-T5	PROFILE
2	WCR-79671-1	THREE TRACK SILL	ALUM 6063-T5	PROFILE
3	WCR-79672	THREE TRACK JAMB	ALUM 6063-T5	PROFILE
4	WCR-112	SILL RISER	ALUM 6063-T6	PROFILE
5	NAM-490	HOOK STRIP	ALUM 6063-T5	NUAIR
6	WCR-91060	PANEL TOP RAIL	ALUM 6063-T6	PROFILE
7	WCR-90785	PANEL BOTTOM RAIL	ALUM 6063-T6	PROFILE
8	WCR-110	PANEL LOCK STILE	ALUM 6063-T6	PROFILE
9	WCR-111	PANEL SINGLE INTERLOCK STILE	ALUM 6063-T6	PROFILE
10	WCR-038	ASTRAGAL	ALUM 6063-T5	PROFILE
11	WCR-100	INTERLOCK ADAPTER	ALUM 6063-T6	PROFILE
12	WCR-002	H BAR SUPPORT	ALUM 6063-T5	PROFILE
13	WCR-115	TOP RAIL W/ SCREEN RECEIVER	ALUM 6063-T5	PROFILE
14	WCR-114	BOTTOM RAIL W/ SCREEN RECEIVER	ALUM 6063-T5	PROFILE
15	WCR-117	LOCK STILE W/ SCREEN RECEIVER	ALUM 6063-T5	PROFILE
16	WCR-137	SCREEN ASTRAGAL	ALUM 6063-T5	PROFILE
17	W13301NW	WEATHERSTRIPPING 0.187" X 0.300"	VINYL	ULTRA FAB
18	W23301NK	WEATHERSTRIPPING 0.187" X 0.300" FIN	VINYL	ULTRA FAB
19	E21818KN	WEATHERSTRIPPING 0.187" X 0.375"	VINYL	ULTRA FAB
21	TP-433	INTERLOCK VINYL 0.187" X 0.780"	VINYL	TEAM PLASTICS
22	FPI-220	ROUND SPLINE		ALUMINUM SPECIALIST
23	18/14	SCREEN MESH		ALUMINUM SPECIALIST
24	WINCRAF-1342	PULL HANDLE		SASH CONTROLS, INC.
25	-----	1/4" ITW TAPCON (INSTALLATION ANCHOR)	CARBON STEEL	ITW
26	-----	#12 WOOD SCREW (INSTALLATION ANCHOR)	CARBON STEEL	
27	-----	#12 X 1 1/2" PFH SMS		
28	-----	#8 X 1" PPH TEK SCREW		
29	-----	1/4" TEMPERED GLASS		
30	TP-162	1/4" GLAZING CHANNEL	VINYL	TEAM PLASTICS
31	AD66-BNSS-166	SINGLE ROLLER		BUILDERS HARDWARE INC.
32	WCR-007	H-BAR SUPPORT	ALUM 6063-T6	PROFILE
33	WCR-116	LOCK STILE W/ SCREEN RECEIVER	ALUM 6063-T5	PROFILE



		CB	BY
		10/26/07	08/28/07
	AS REQUESTED BY MIAMI DADE		DESCRIPTION
B	A	REV	DATE

WINDOW CRAFTSMEN
6031 CLARK CENTER AVE.
SARASOTA, FLORIDA 34238

TITLE: SERIES 50/75 POCKET CENTER MEET BYPASS ALUM. SGD
BILL OF MATERIALS AND GLAZING DETAIL

DATE: 08/29/06
DRAWING NO.: WCI0024
SCALE: N.T.S.
SHEET: 9 OF 12

PREPARED BY: PTC, LLC
Phone 321.660.1788 Fax 321.660.1789

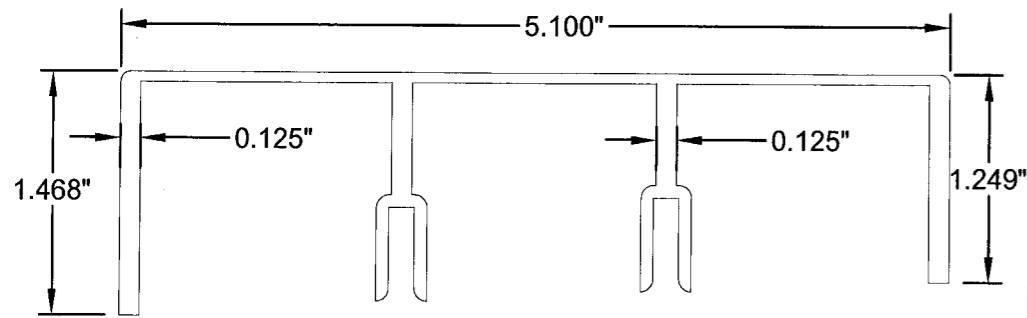
Marion S. Hampton
Florida P. E. No. 56863

Marion S. Hampton
11/1/07

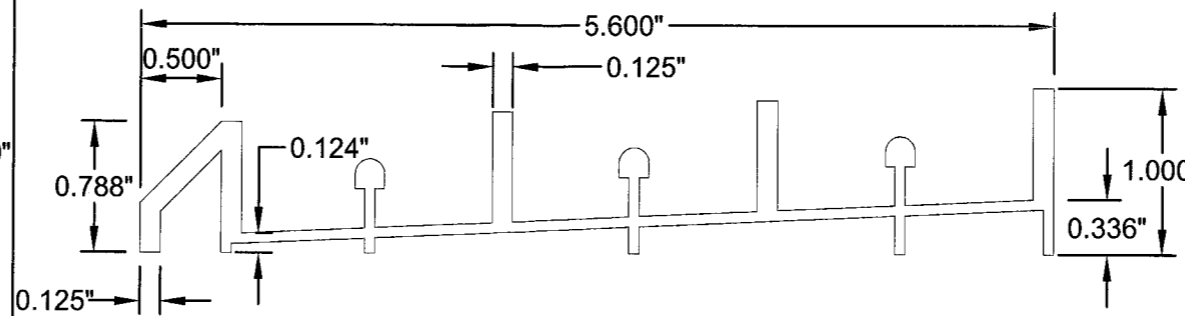
PTC, LLC
1535 Cogswell Street, Suite C25
Rockledge, Florida 32955
FBPE Certificate of Authorization NO. 25935

Approved as complying with the
Florida Building Code
Date Nov 29, 2007
NOA# 06-1264-06
Miami Dade Product Control
Division
By Shag I. Chanda

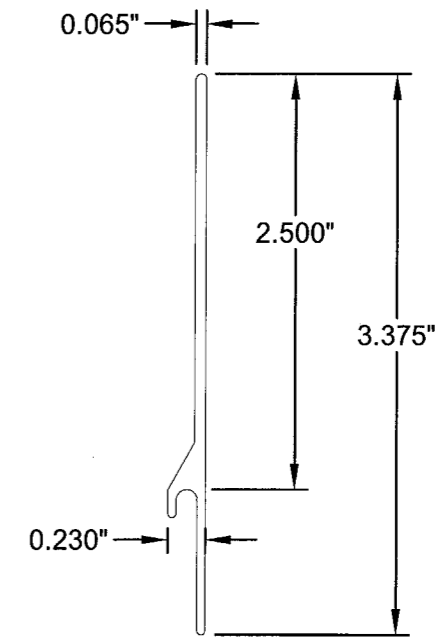
① THREE TRACK HEAD
TYPICAL WALL THICKNESS 0.062" U.N.



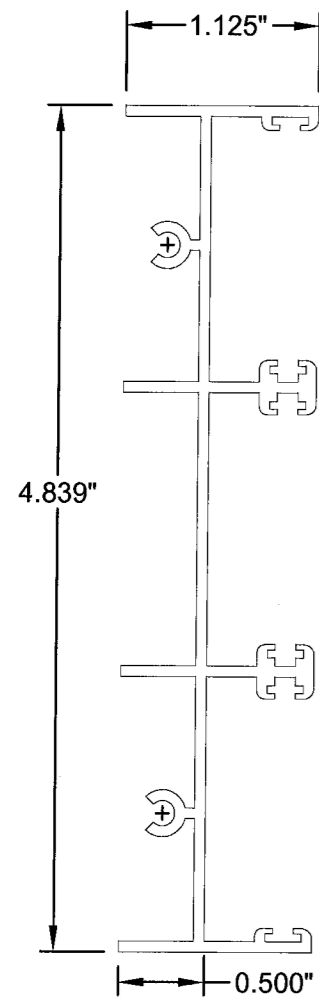
② THREE TRACK SILL
TYPICAL WALL THICKNESS 0.062" U.N.



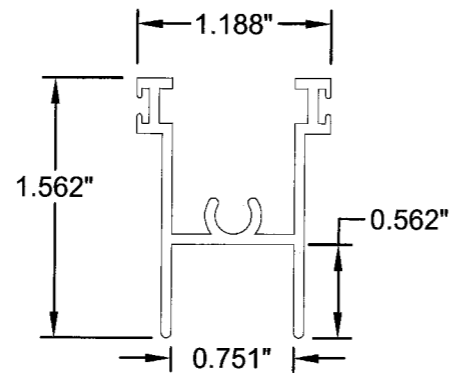
④ SILL ADAPTER
TYPICAL WALL THICKNESS 0.050" U.N.



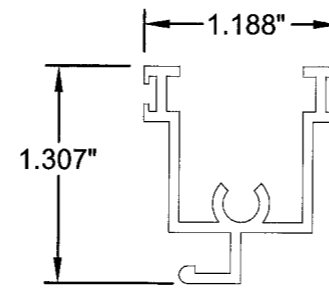
③ THREE TRACK JAMB
TYPICAL WALL THICKNESS 0.062"



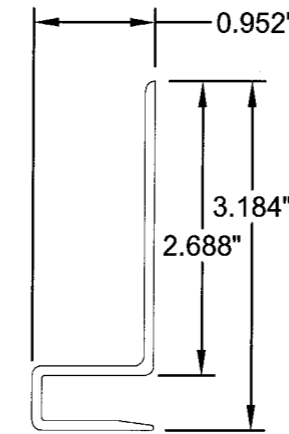
⑥ PANEL TOP RAIL
TYPICAL WALL THICKNESS 0.062"



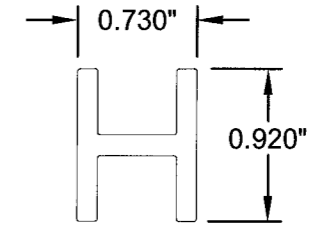
⑬ TOP RAIL W/
SCREEN RECIEVER
TYPICAL WALL THICKNESS 0.062"



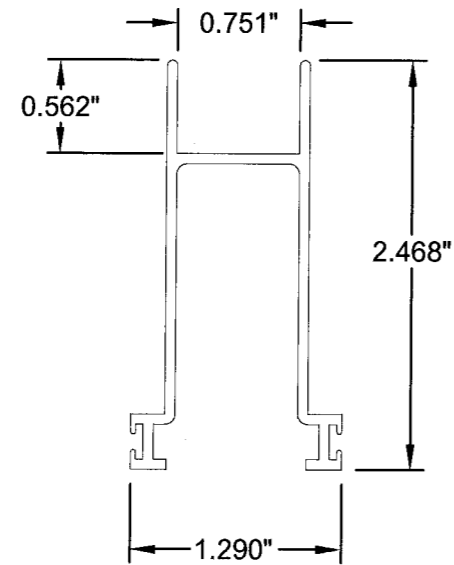
⑤ HOOK STRIP
TYPICAL WALL THICKNESS 0.062"



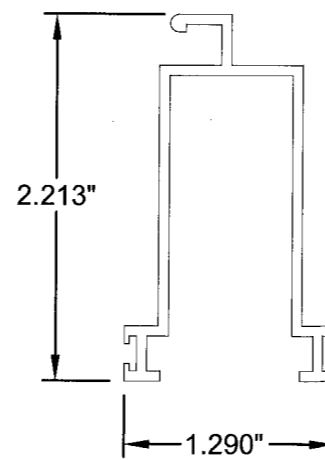
③② H-BAR SUPPORT
TYPICAL WALL THICKNESS 0.125"



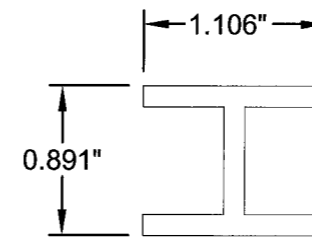
⑦ PANEL BOTTOM RAIL
TYPICAL WALL THICKNESS 0.062"



⑭ BOTTOM RAIL W/
SCREEN RECIEVER
TYPICAL WALL THICKNESS 0.062"

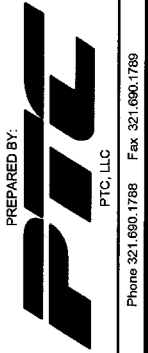


⑫ H-BAR SUPPORT
TYPICAL WALL THICKNESS 0.125"



WINDOW CRAFTSMEN
6031 CLARK CENTER AVE.
SARASOTA, FLORIDA 34238
TITLE: SERIES 50/75 POCKET CENTER MEET BYPASS ALUM. SGD COMPONENTS

DATE:	08/29/06
DRAWING NO.:	WC10024
SCALE:	N.T.S.
REV.:	A
DRAWN BY:	CB
SHEET:	10 OF 12



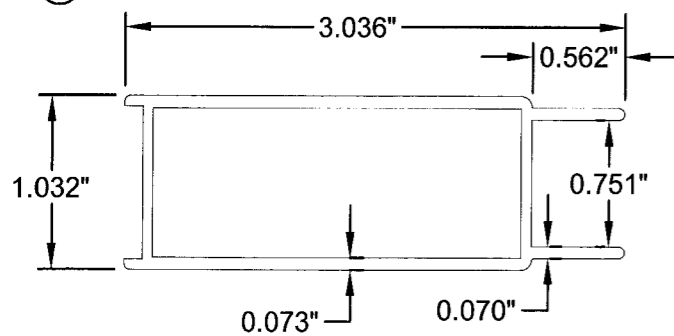
Phone 321.690.1788 Fax 321.690.1789

Marlon S. Hampton
Florida P.E. No. 55863
11/1/07
PTC, LLC
1535 Cogswell Street, Suite C25
Rockledge, Florida 32955
FBPE Certificate of Authorization NO. 25935

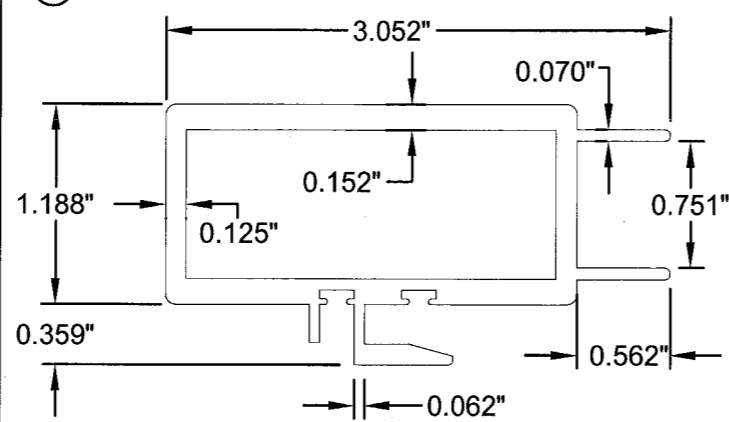
Approved as complying with the
Florida Building Code
Date Nov 29, 2007
NOA# 06-1204-06
Miami Dade Product Control
Division
By Ishag I. Chaudh

AS REQUESTED BY MIAMI DADE	08/28/07	CB
DESCRIPTION	DATE	BY
REV		

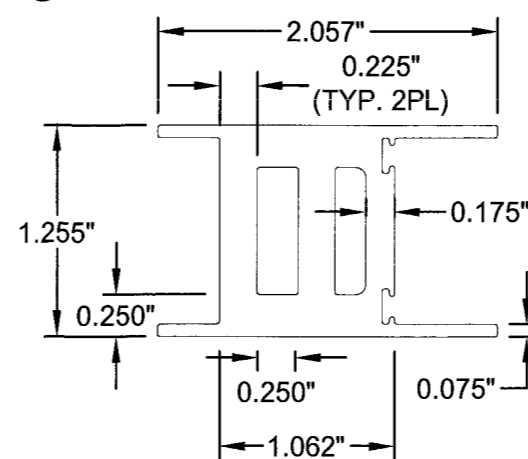
⑧ PANEL LOCK STILE
WALL THICKNESS 0.062" U.N.



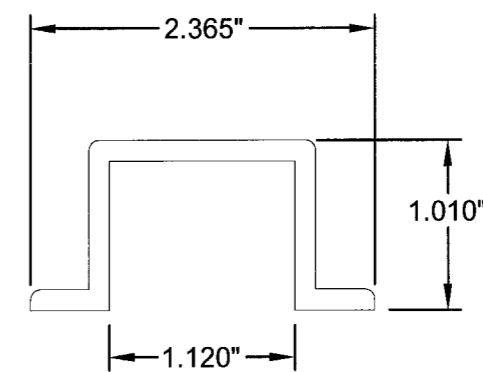
⑨ PANEL SINGLE INTERLOCK STILE



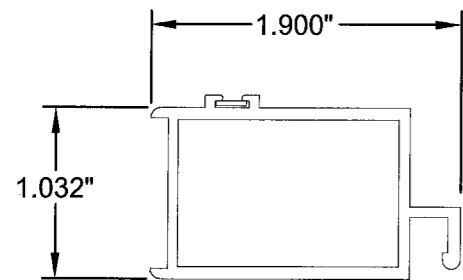
⑩ ASTRAGAL



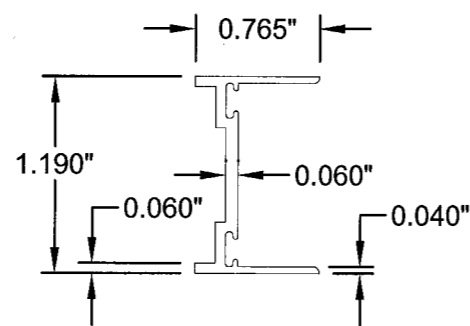
⑪ INTERLOCK ADAPTER
TYPICAL WALL THICKNESS 0.125"



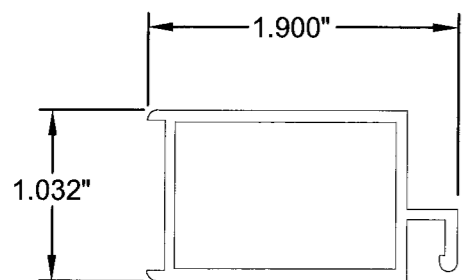
⑮ LOCK STILE W/ SCREEN RECIEVER
TYPICAL WALL THICKNESS 0.062"



⑯ SCREEN ASTRAGAL



⑳ LOCK STILE W/ SCREEN RECEIVER
TYPICAL WALL THICKNESS 0.062"



	AS REQUESTED BY MIAMI DADE	10/26/07	CB	BY
B	AS REQUESTED BY MIAMI DADE	08/28/07	CB	DATE
A	DESCRIPTION			
REV				

WINDOW CRAFTSMEN
6031 CLARK CENTER AVE.
SARASOTA, FLORIDA 34238

TITLE: SERIES 50/75 POCKET CENTER MEET BYPASS ALUM. SGD COMPONENTS

DATE: 08/29/06
DRAWING NO.: WC10024
SHEET: 11 OF 12

PREPARED BY: PTC, LLC
SCALE: N.T.S.
REV: B

Phone 321.690.1788 Fax 321.690.1789

Marion S. Hampton
Florida P. E. No. 55863

Marion S. Hampton
11/1/07

PTC, LLC
1535 Cogswell Street, Suite C25
Rockledge, Florida 32955
FBPE Certificate of Authorization NO. 25935

Approved as complying with the
Florida Building Code
Date NOV 29, 2007
NOA# 06-1204-02
Miami Dade Product Control
Division
By Shaq I. Chande

