

SERIES 75 ANCHOR TABLE

CONFIG.	FRAME WIDTH	FRAME HEIGHT	NUMBER OF ANCHORS			DESIGN	DESIGN
			ACROSS HEAD & SILL	ACROSS JAMB	ACROSS HOOK STRIP	PRESSURE NEG.	PRESSURE POS.
XX	6'	80.00	18	16	11	-88.62	+75.00
	6'	96.00	18	18	13	-82.97	+75.00
XX	8"	80.00	22	16	11	-75.00	+75.00
	8'	96.00	22	18	13	-75.00	+75.00
XXX	9'	80.00	26	16	11	-81.13	+75.00
	9'	96.00	26	18	13	-75.00	+75.00
XXX	12'	80.00	34	16	11	-75.00	+75.00
	12'	96.00	34	18	13	-75.00	+75.00
XXXX	12'	80.00	34	16	11	-75.00	+75.00
	12'	96.00	34	18	13	-75.00	+75.00
XXXX	16'	80.00	44	16	11	-75.00	+75.00
	16'	96.00	44	18	13	-75.00	+75.00
XXXXXX	18'	80.00	48	16	11	-75.00	+75.00
	18'	96.00	48	18	13	-75.00	+75.00
XXXXXX	24'	80.00	64	16	11	-75.00	+75.00
	24'	96.00	64	18	13	-75.00	+75.00
XXXXXXXX	24	80.00	64	16	11	-75.00	+75.00
	24'	96.00	64	18	13	-75.00	+75.00
XXXXXXXX	32'	80.00	88	16	11	-75.00	+75.00
	32'	96.00	88	18	13	-75.00	+75.00

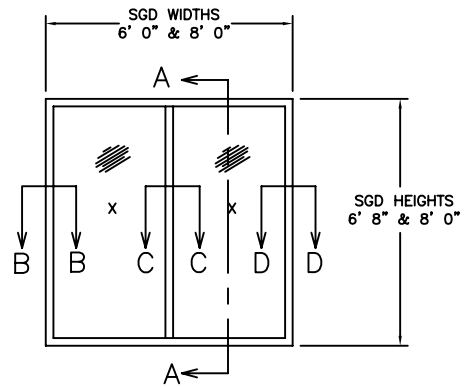
NOTES:

- (1) THIS PRODUCT IS DESIGNED TO COMPLY WITH THE 2004 FLORIDA BUILDING CODE. UP TO AND INCLUDING THE 2007 SUPPLEMENT AND THE 2007 FLORIDA BUILDING CODE.
- (2) SHIM AS REQ'D AT EACH SET OF INSTALLATION ANCHORS USING LOAD BEARING SHIMS. MAX. ALLOWABLE SHIM STACK TO BE 1/4". USE SHIMS WHERE SPACE GREATER THAN 1/16" IS PRESENT.
- (3) DOOR MATERIAL : 6063-T5 ALUMINUM.
- (4) 1/4" DIA. CONCRETE SREW ANCHORS MUST BE OF SUFFICIENT LENGTH TO ACHIEVE A MIN. EMBEDMENT OF 1 1/4" INTO CONCRETE OR MASONRY FOR 1 X WOOD BUCK OR A MIN. EMBEDMENT OF 1 1/4" INTO SOLID WOOD FOR 2 X BUCK OR WOOD FRAMED OPENINGS (GREATER THAN 1 3/8" THICK).
- (5) MAX. ALLOWABLE SPACING OF 1/4" DIA. CONCRETE SCREWS, WITHIN 4-1/8" FROM EACH CORNER, 8-3/4" ACROSS HEAD & SILL, 10-15/16" ALONG JAMBS AND 7-3/4" ON HOOK STRIP.
- (6) ALL FACTORY APPLIED HOLES IN FRAME MEMBERS NOT DESIGNATED FOR CONCRETE SCREW ANCHORS SHOULD BE FILLED WITH #12 SCREWS OF SUFFICIENT LENGTH TO ACHIEVE A MIN. EMBEDMENT OF 1-1/2" INTO WOOD BUCK.
- (7) USE LATEX CAULK OR EQUIVALENT FOR PERIMETER SEAL AROUND EXTERIOR OF DOOR.
- (8) IF EXACT DOOR SIZE IS NOT LISTED IN ANCHOR CHART, USE THE NEXT SIZE LARGER DOOR FOR ANCHOR QUANTY.
- (9) FOR POCKET DOOR SIZES, USE CLOSEST BY-PASS DOOR SIZE TO SIZE OF FINISHED OPENING.
- (10) GLASS THICKNESS MAY VARY PER ASTM E-1300 GLASS CHART REQUIREMENTS. SINGLE GLAZED SHOWN, INSULATED GLASS ALSO QUALIFIED.
- (11) JAMB / SILL CORNERS AND ALL ANCHORS TO BE SEALED WITH SMALL JOINT SEAM SEALANT.
- (12) ALL INSTALLATION ANCHORS MUST BE MADE OF A CORROSION RESISTANT MATERIAL OR COATING.
- (13) NOT ALL CONFIGURATIONS LISTED ON ANCHOR CHART ARE SHOWN ON THIS DRAWING. HOWEVER, INSTALLATION SECTION A-A & B-B APPLY TO ALL CONFIGURATIONS.

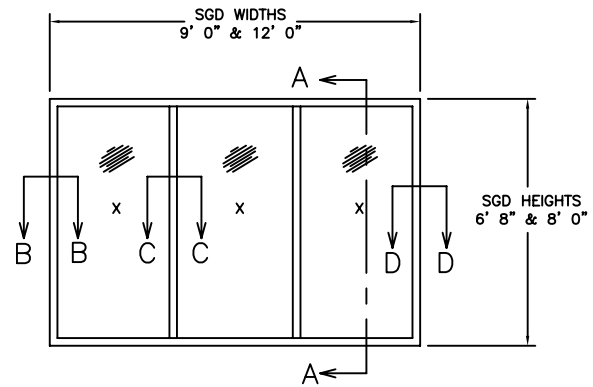
NOTES ON ANCHOR CALCULATIONS:

- (1) CALCULATIONS DERIVED FROM TESTED UNIT, TEST REPORT # NCTL-210-3220-1A. NCTL-210-3220-1B
- (2) TESTED UNIT WAS "XXXX", 192" x 96", USING 1/4" (6mm) TEMPERED GLASS.
- (3) THE QUANTITY OF ANCHORS ARE FOR EACH SIDE, NOT TOTAL QUANTITY.
- (4) MAX. SPACING AT HEAD OR SILL CORNER IS 4-1/8".
- (5) MAX. SPACING AT JAMB CORNER IS 4-1/4"
- (6) MAX. SPACING ACROSS HEAD OR SILL IS 8-3/4".
- (7) MAX. SPACING ACROSS JAMBS IS 10-15/16".
- (8) MAX. SPACING ACROSS HOOK STRIP IS 7-3/4".

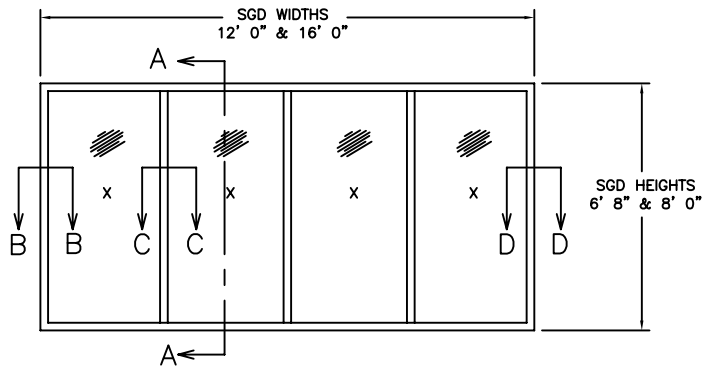
WINDOW CRAFTSMEN, INC. 6031 CLARK CENTER AVE. SARASOTA, FLORIDA 34238		
TITLE: SLIDING GLASS DOOR SERIES 75 ANCHOR TABLE AND NOTES		
ENGINEER: MARK A. SMITH	DRAWN BY: MAS	DATE: 12/17/08
DISCIPLINE: CIVIL	SCALE: N.T.S.	DWG. NO. WCI-SGD006
FL. REG. NO.: 55511	REV. LETTER:	SHEET 1 OF 6



**2 PANEL SLIDING GLASS DOOR
XX CONFIGURATION**



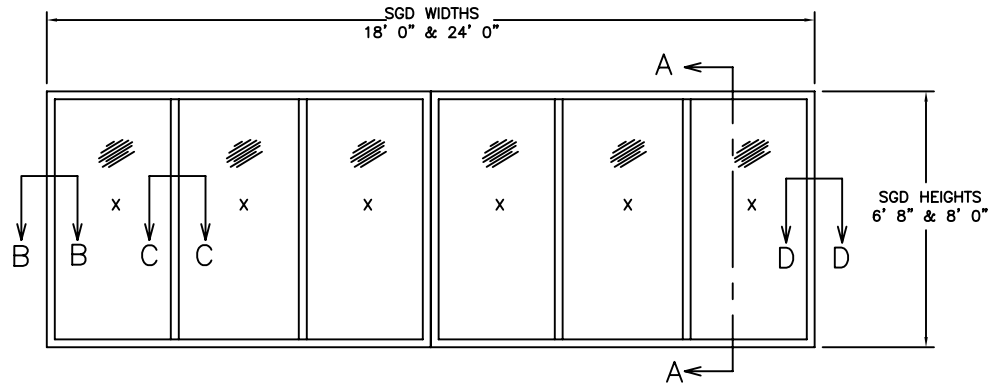
**3 PANEL SLIDING GLASS DOOR
XXX CONFIGURATION**



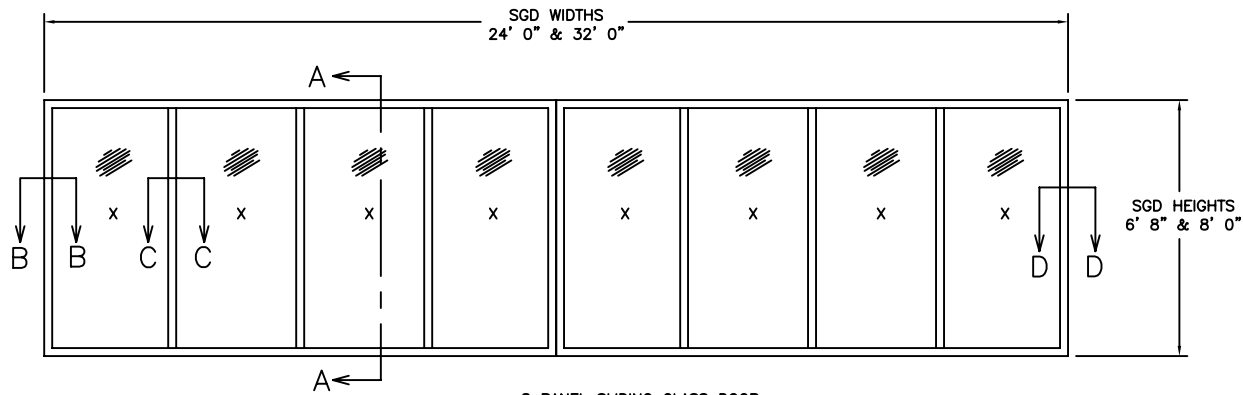
**4 PANEL SLIDING GLASS DOOR
XXXX CONFIGURATION**

FOR INSTALLATION DETAILS AND
SECTIONS A-A, B-B, C-C AND D-D SEE SHEETS 4, 5, AND 6

WINDOW CRAFTSMEN, INC. 6031 CLARK CENTER AVE. SARASOTA, FLORIDA 34238		
TITLE: SLIDING GLASS DOOR, POCKET BY-PASS, CENTER MEET SERIES 75 2, 3 & 4 PANEL ELEVATIONS		
ENGINEER: MARK A. SMITH	DRAWN BY: MAS	DATE: 12/17/08
DISCIPLINE: CIVIL	SCALE: N.T.S.	DWG. NO. WCI-SGD006
FL. REG. NO.: 55511	REV. LETTER:	SHEET 2 OF 6



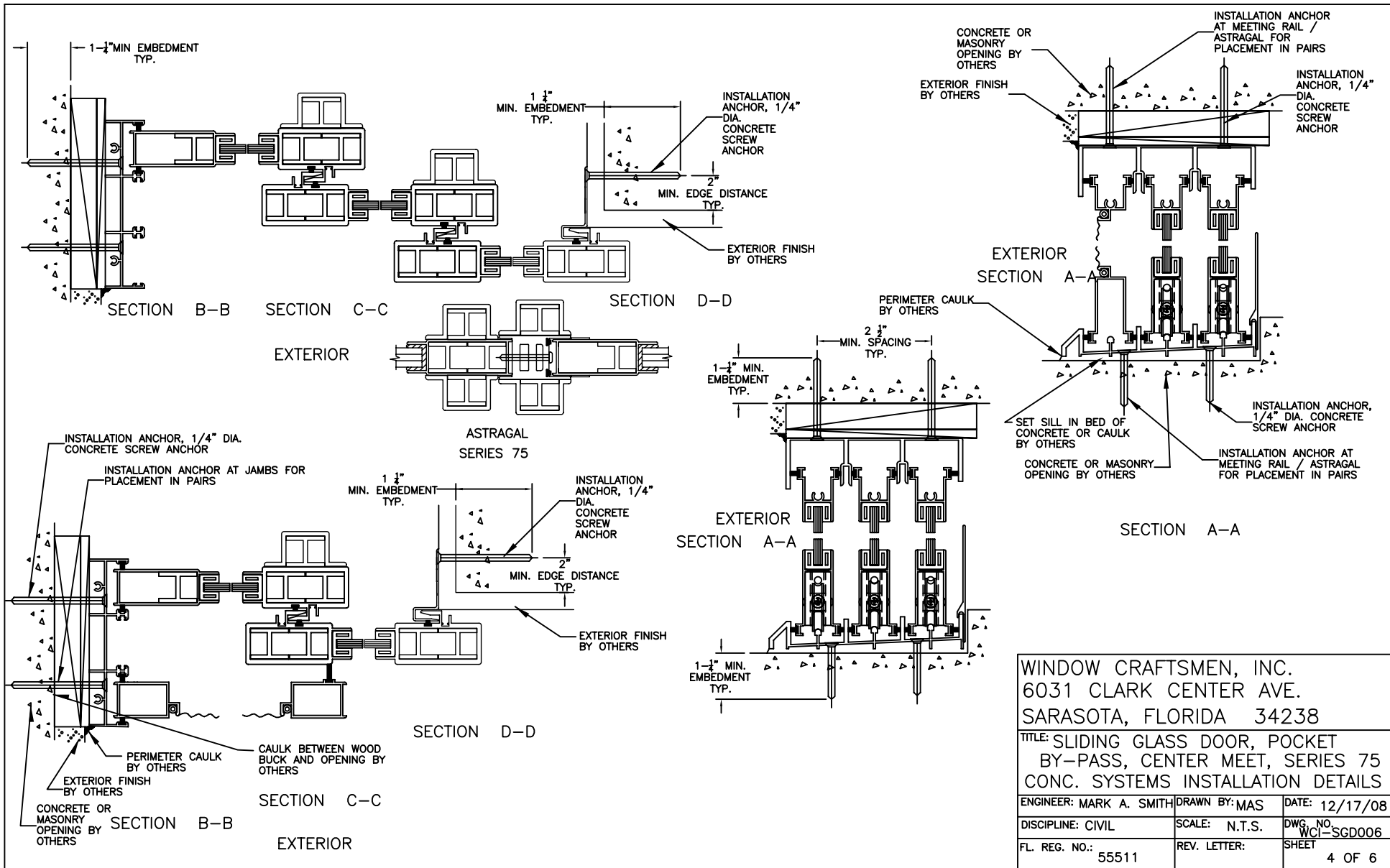
6 PANEL SLIDING GLASS DOOR
XXXXXX CONFIGURATION



8 PANEL SLIDING GLASS DOOR
XXXXXXXXX CONFIGURATION

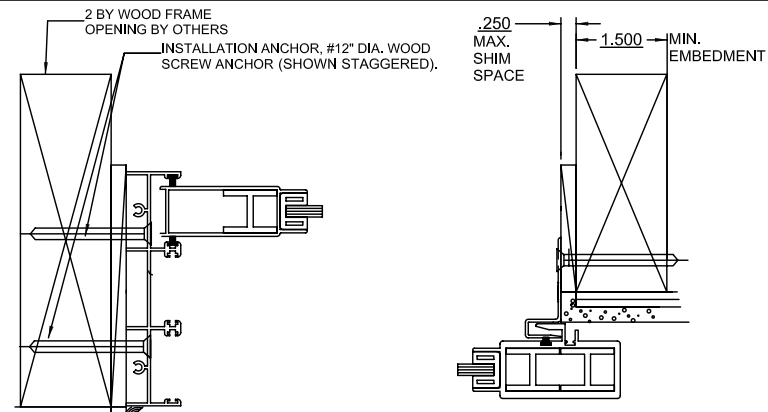
FOR INSTALLATION DETAILS AND
SECTIONS A-A, B-B, C-C AND D-D SEE SHEETS 4, 5, AND 6

WINDOW CRAFTSMEN, INC. 6031 CLARK CENTER AVE. SARASOTA, FLORIDA 34238		
TITLE: SLIDING GLASS DOOR, POCKET BY-PASS, CENTER MEET SERIES 75 6 AND 8 PANEL ELEVATIONS		
ENGINEER: MARK A. SMITH	DRAWN BY: MAS	DATE: 12/17/08
DISCIPLINE: CIVIL	SCALE: N.T.S.	DWG. NO. WCI-SGD006
FL. REG. NO.: 55511	REV. LETTER:	SHEET 3 OF 6

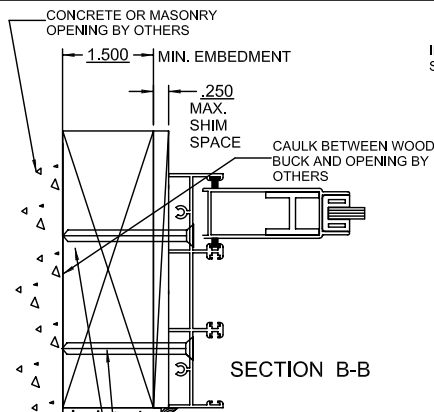


WINDOW CRAFTSMEN, INC.
 6031 CLARK CENTER AVE.
 SARASOTA, FLORIDA 34238
 TITLE: SLIDING GLASS DOOR, POCKET
 BY-PASS, CENTER MEET, SERIES 75
 CONC. SYSTEMS INSTALLATION DETAILS

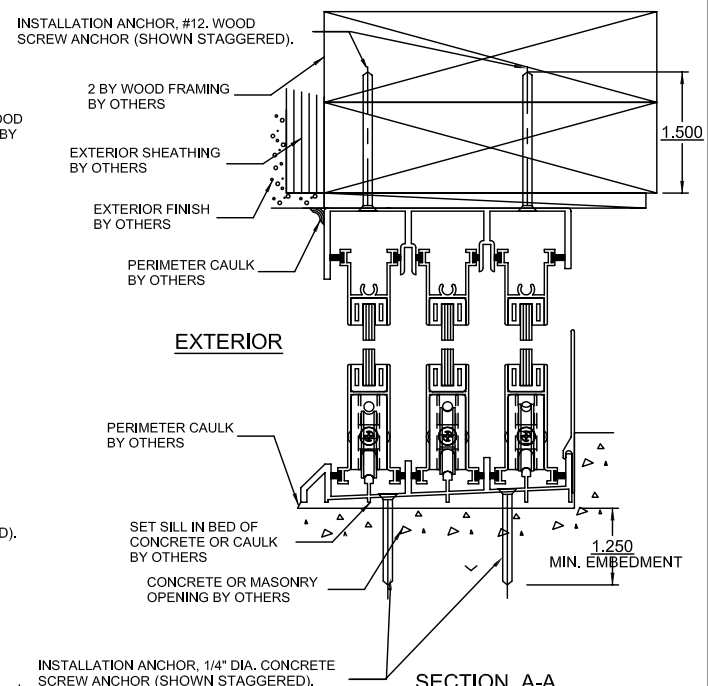
ENGINEER: MARK A. SMITH	DRAWN BY: MAS	DATE: 12/17/08
DISCIPLINE: CIVIL	SCALE: N.T.S.	DWG. NO. WCI-SGD006
FL. REG. NO.: 55511	REV. LETTER:	SHEET 4 OF 6



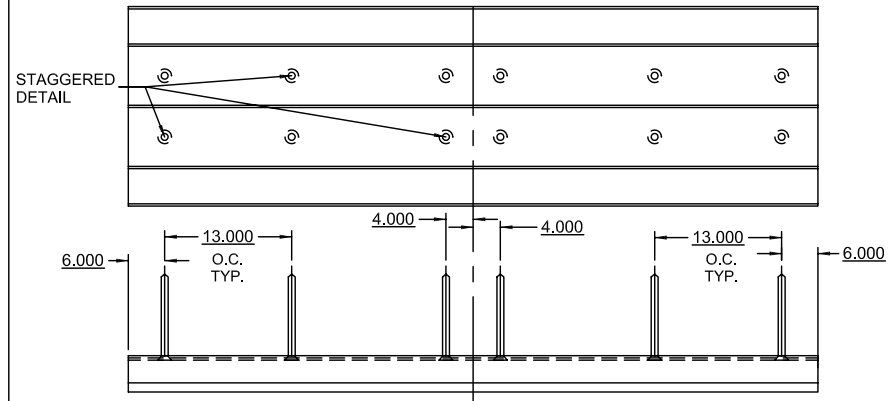
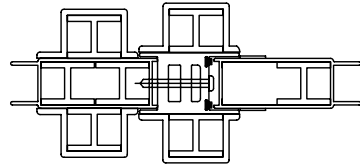
SECTION B-B
EXTERIOR
SECTION D-D
TYPICAL DETAIL AT 2 BY WOOD FRAMING



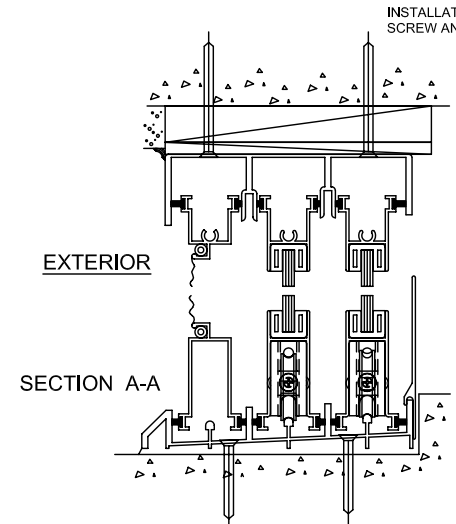
SECTION B-B
EXTERIOR
TYPICAL DETAIL AT 2 X BUCK



SECTION A-A
TYPICAL DETAIL AT 2 BY WOOD FRAMING

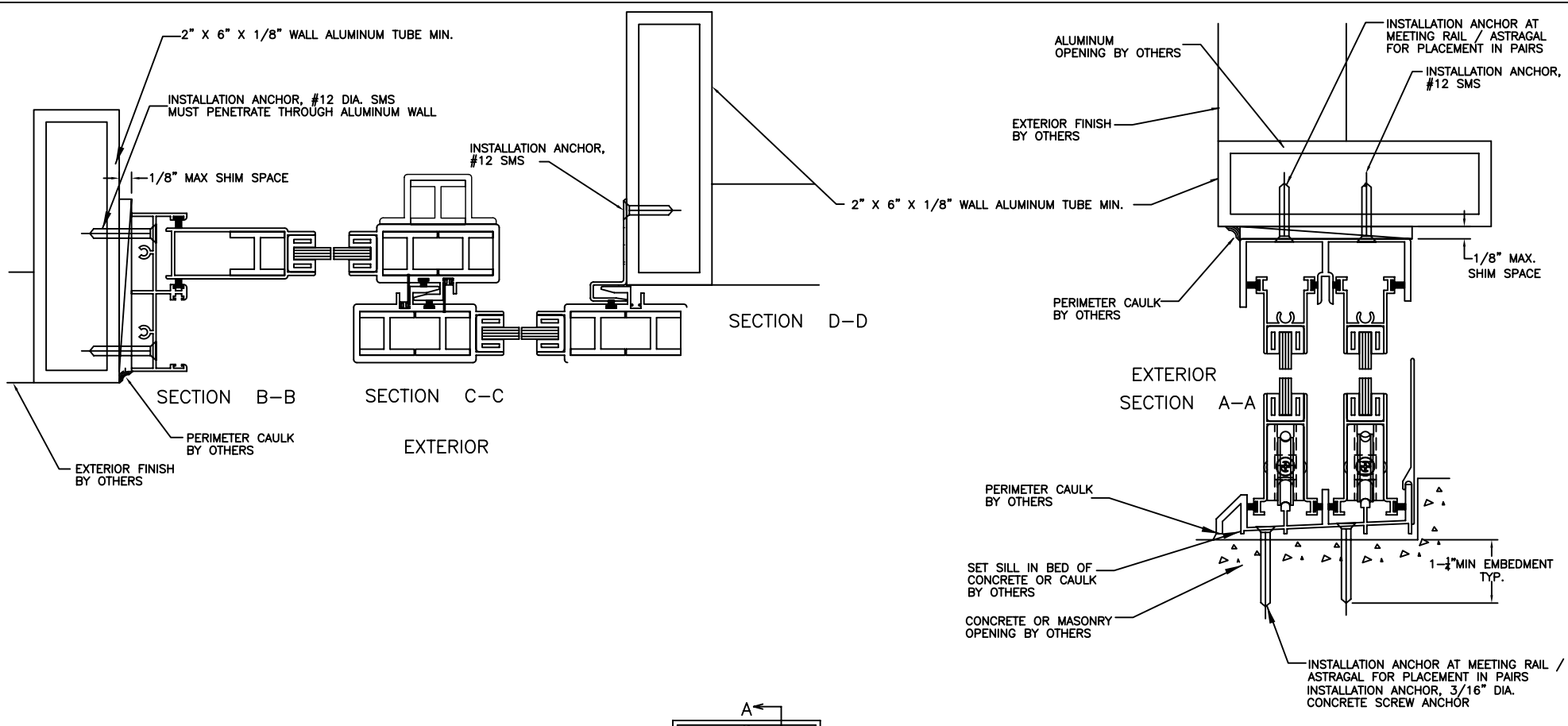


TYPICAL ANCHOR DETAIL AT INTERLOCK OR ASTRAGAL

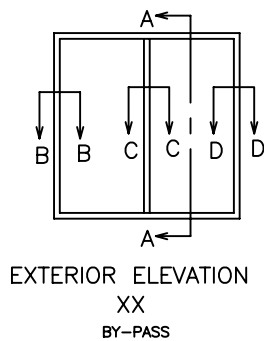


SECTION A-A
EXTERIOR

WINDOW CRAFTSMEN, INC. 6031 CLARK CENTER AVE. SARASOTA, FLORIDA 34238		
TITLE: SLIDING GLASS DOOR, POCKET BY-PASS, CENTER MEET SERIES 75 WOOD FRAMING INSTALLATION DETAILS		
ENGINEER: MARK A. SMITH	DRAWN BY: MAS	DATE: 12/17/08
DISCIPLINE: CIVIL	SCALE: N.T.S.	DWG. NO. WCI-SGD006
FL. REG. NO.: 55511	REV. LETTER:	SHEET 5 OF 6



2 PANEL MAXIMUM IN ALUMINUM OPENINGS



WINDOW CRAFTSMEN, INC. 6031 CLARK CENTER AVE. SARASOTA, FLORIDA 34238		
TITLE: SLIDING GLASS DOOR, POCKET SERIES 75, 2 TRACK ALUM. SYSTEMS INSTALLATION DETAILS		
ENGINEER: MARK A. SMITH	DRAWN BY: MAS	DATE: 12/17/07
DISCIPLINE: CIVIL	SCALE: N.T.S.	DWG. NO. WCI-SGD006
FL. REG. NO.: 55511	REV. LETTER:	SHEET 6 OF 6